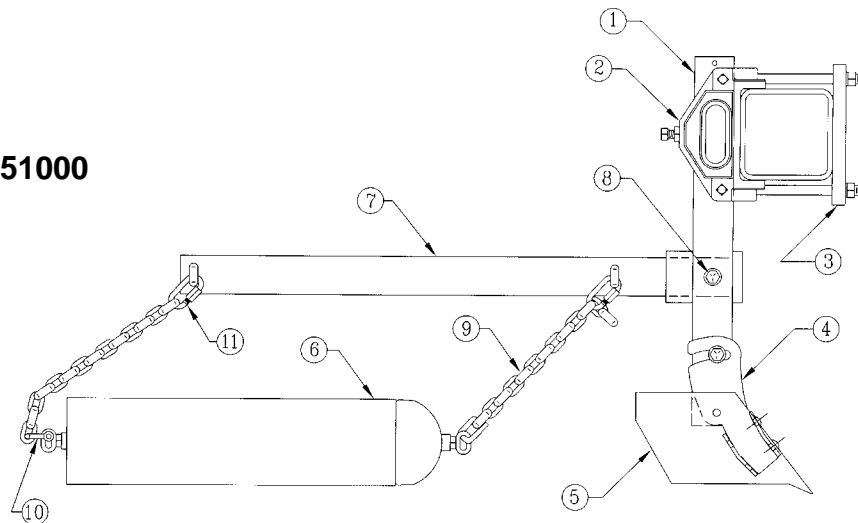


# **WATERMIZER**

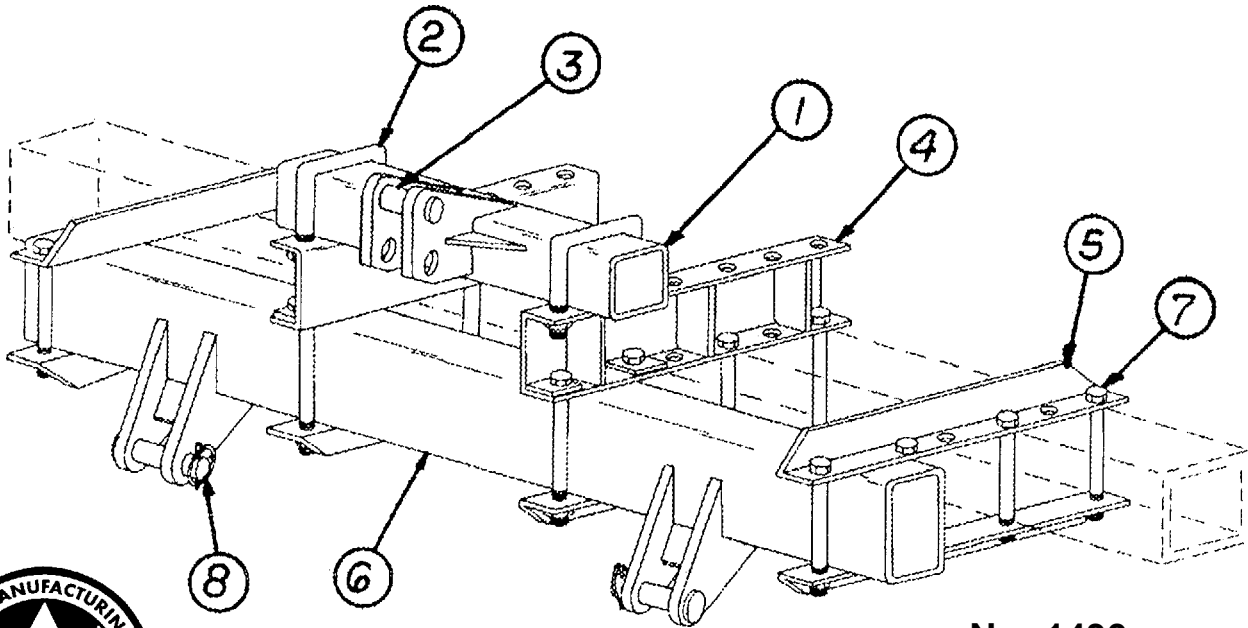
# WATERMIZER ASSEMBLY

**NO. 751000**



| <u>ITEM NO.</u> | <u>PART NO.</u> | <u>WT. LBS.</u> | <u>DESCRIPTION</u>                                   | <u>QTY. REQ'D FOR 1 SHANK</u> |
|-----------------|-----------------|-----------------|------------------------------------------------------|-------------------------------|
| 1               | 204603          | 24¼             | Water Shank - Watermizer .....                       | 1                             |
| -               | 416120          | -               | Roll Pin -- 3/8" x 2" - Zinc .....                   | 1                             |
| 2               | 479069          | 13½             | Bolt-On Shank Holder - 7" Tool Bar .....             | 1                             |
| -               | 414829          | -               | Square Head Set Screw -- 5/8" x 1¾" NC - Zinc.....   | 3                             |
| -               | 412310          | -               | Square Nut -- 5/8" - 11 - Gr 2 - Zinc .....          | 3                             |
| -               | 412410          | -               | Jam Nut -- 5/8" - 11 - Gr 2 - Zinc .....             | 3                             |
| 3               | 204274          | 9               | Backing Plate for Bolt-On Shank Holder - 7" .....    | 1                             |
| -               | 411601          | 1¼              | Hex Bolt -- 3/4" x 8½" NC - Gr. 5 - Zinc .....       | 2                             |
| -               | 412012          | -               | Hex Nut -- 3/4" - 10 - Gr 2 - Zinc .....             | 2                             |
| -               | 413512          | -               | Lock Washer -- 3/4" - Zinc .....                     | 2                             |
| 4               | 302265          | 7¼              | Friction Trip Foot - Watermizer .....                | 1                             |
| -               | 411549          | -               | Hex Bolt -- 1/2" x 2½" NC - Gr 5 - Zinc .....        | 1                             |
| -               | 411563          | ½               | Hex Bolt -- 5/8" x 3" NC - Gr 5 - Zinc.....          | 1                             |
| -               | 411837          | ½               | Plow Bolt -- 7/16" x 3½" NC - Gr 5 - #3 - Zinc ..... | 2                             |
| -               | 410007          | -               | Lock Nut -- 7/16" NC - Zinc .....                    | 2                             |
| -               | 410009          | -               | Lock Nut -- 5/8" NC - Gr 2 - Zinc .....              | 1                             |
| -               | 412008          | -               | Hex Nut -- 1/2" - 13 - Gr 2 - Zinc .....             | 1                             |
| -               | 413010          | -               | Flat Washer -- 5/8" - Zinc .....                     | 2                             |
| -               | 413508          | -               | Lock Washer -- 1/2" - Zinc .....                     | 1                             |
| 5               | 474047          | 5               | Water Furrower - 7" - Watermizer .....               | 1                             |
| 6               | 302267          | 66¼             | Torpedo - Watermizer .....                           | 1                             |
| 7               | 302269          | 17¾             | Pick Up Arm - Watermizer .....                       | 1                             |
| 8               | 411561          | ¼               | Hex Bolt -- 5/8" x 2" NC - Gr 5 - Zinc.....          | 1                             |
| -               | 410009          | -               | Lock Nut -- 5/8" NC - Gr 2 - Zinc .....              | 1                             |
| -               | 413010          | -               | Flat Washer -- 5/8" - Zinc .....                     | 2                             |
| 9               | 204613          | 1¾              | Lift Chain -- 5/16" x 14 Links Hi-Test - Zinc .....  | 2                             |
| 10              | 405006          | -               | Cold Shut -- 3/8" - Zinc .....                       | 2                             |
| 11              | 400021          | ¼               | Quick Link -- 3/8" .....                             | 2                             |

# CAT III HITCH FOR 7" SQ. BAR

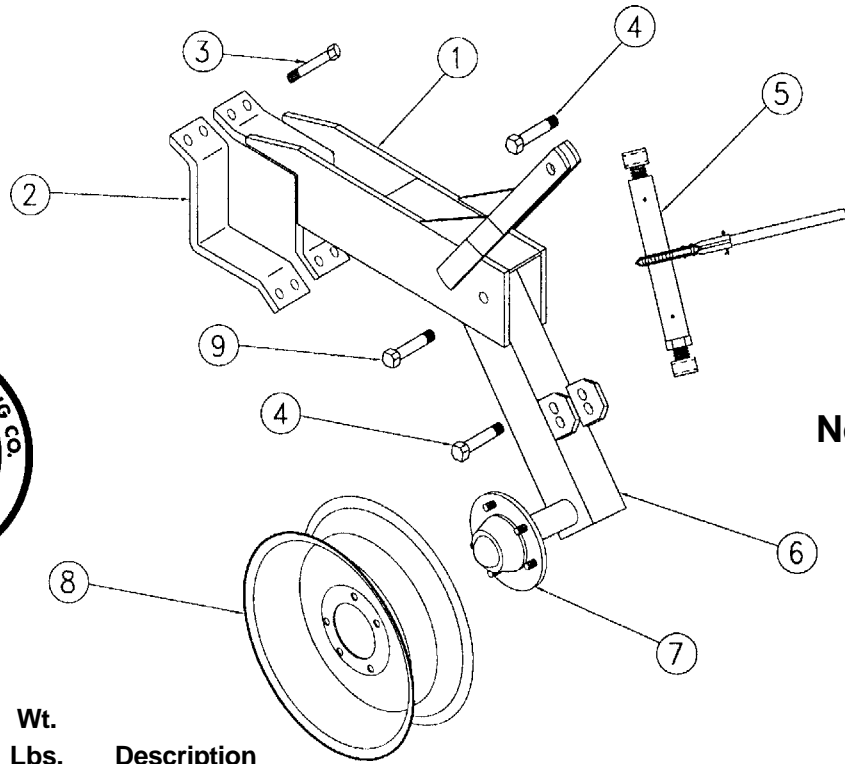


## Cat. III Standard & Quick Hitch

No. 1430  
No. 1442  
No. 1444

| Item No. | Part No. | Wt. Lbs. | Description                                           | Qty. Required |      |      |
|----------|----------|----------|-------------------------------------------------------|---------------|------|------|
|          |          |          |                                                       | 1430          | 1442 | 1444 |
| 1        | 300279   | 47½      | Mast Top – Cat III - Hitch .....                      | 1             | 1    | 1    |
| 2        | 415018   | 2        | 7/8" Sq. U-Bolt x 4" x 6½" Leg .....                  | 2             | 2    | 2    |
| -        | 413514   | -        | Lock Washer -- 7/8" - Zinc .....                      | 20            | 28   | 28   |
| -        | 412014   | -        | Hex Nut -- 7/8" - 9 - Gr 2 - Zinc .....               | 20            | 28   | 28   |
| 3        | 416698   | 1        | 1¼" Top Link Pin - Zinc.....(6½") .....               | 1             | 1    | 1    |
| -        | 416207   | 1        | Klik Pin - 7/16" - Zinc .....                         | 1             | 1    | 1    |
| 4        | 301037   | 26½      | Mast Side - Hitch .....                               | 2             | 2    | 2    |
| 5        | 201601   | 15¼      | Angle Support - RH - Hitch .....                      | 3             | 5    | 5    |
| -        | 201602   | 15¼      | Angle Support - LH - Hitch .....                      | 3             | 5    | 5    |
| 6        | 300845   | 171      | Pull Piece Bracket - Cat III (3/8" Wall x 72") .....  | 1             | -    | -    |
| -        | 301047   | 416      | Pull Piece Bracket - Cat III (3/8" Wall x 190") ..... | -             | 1    | -    |
| -        | 301373   | 429      | Pull Piece Bracket - Cat III (3/8" Wall x 196") ..... | -             | -    | 1    |
| 7        | 411294   | 1¾       | Hex Bolt -- 7/8" x 10" NC - Gr 2 - Zinc.....          | 16            | 24   | 24   |
| 8        | 300837   | 2¾       | Pull Pin -- 1-7/16" x 6" .....                        | 2             | 2    | 2    |
| -        | 416207   | 1        | Klik Pin - 7/16" - Zinc .....                         | 2             | 2    | 2    |

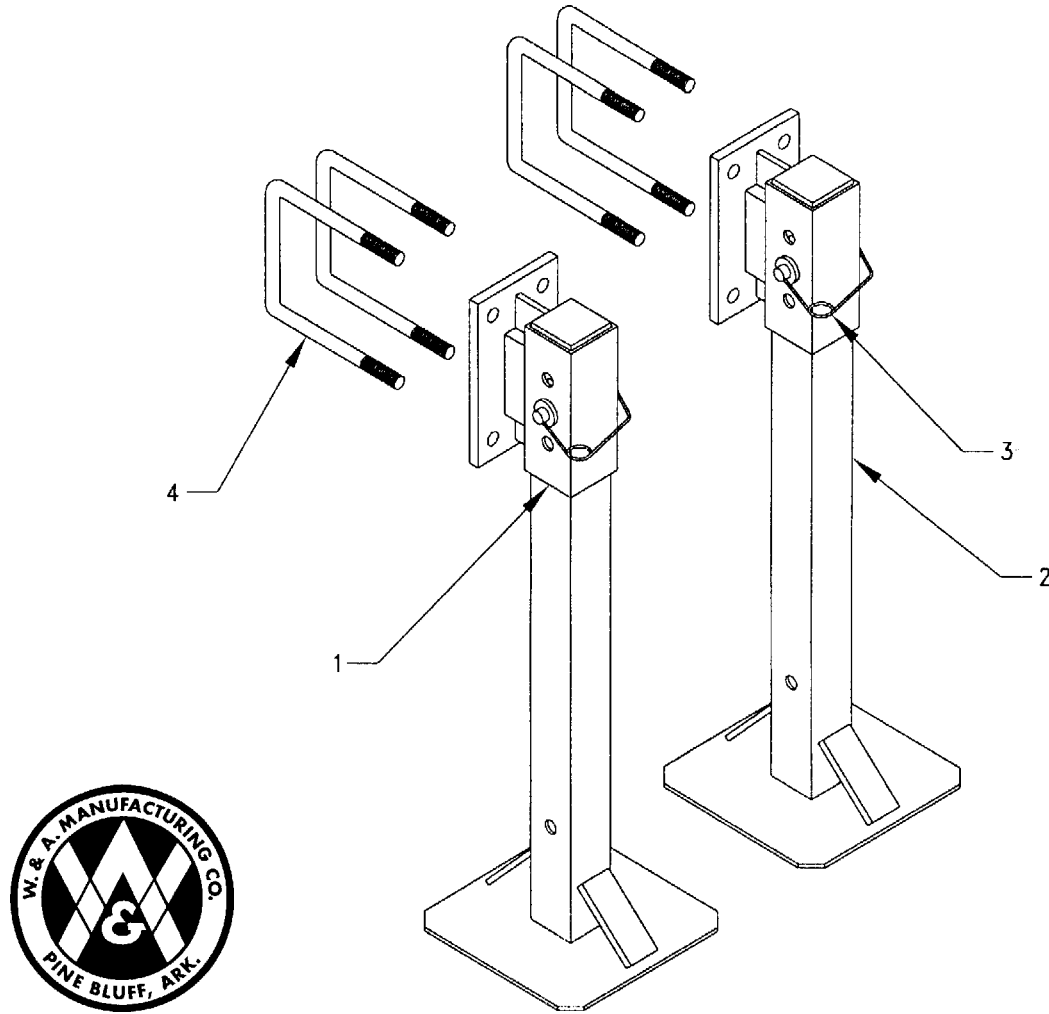
# TOP MOUNTED ADJ. GAUGE WHEELS



**No. 1341**

| Item No. | Part No. | Wt. Lbs. | Description                                          | Qty. Req. for 1 Assembly |
|----------|----------|----------|------------------------------------------------------|--------------------------|
| 1        | 302230   | 60       | Holder - #1341 Top Mtd Adj Gauge Wheel (WM) .....    | 1                        |
| 2        | 203770   | 10       | Backing Clamp for 7" Sq. Bar .....                   | 1                        |
| 3        | 411591   | ½        | Hex Bolt -- 3/4" x 4" NC - Gr 5 - Zinc .....         | 4                        |
| -        | 412012   | -        | Hex Nut -- 3/4" - 10 - Gr 2 - Zinc .....             | 6                        |
| -        | 413512   | -        | Lock Washer -- 3/4" - Zinc .....                     | 6                        |
| 4        | 411591   | ½        | Hex Bolt -- 3/4" x 4" NC - Gr 5 - Zinc .....         | 2                        |
| 5        | 302025   | 11½      | Ratchet Crank Assembly .....                         | 1                        |
| 6        | 302226   | 34¾      | RH Leg w/Hub -- #1338 & #1341 Gauge Wheel (Shown) .. | 1                        |
| -        | 302227   | 34¾      | LH Leg w/Hub -- # 1338 & #1341 Gauge Wheel .....     | 1                        |
| 7        | 491119   | 11       | 5 Hole Hub Complete - Q-719 .....                    | 1                        |
| -        | 491007   | 9¾       | Hub w/Cups Only - Q-719 .....                        | 1                        |
| -        | 481205   | ¼        | Cone - Q809 & Q719 - LM67048 .....                   | 1                        |
| -        | 496010   | -        | Outer Cup - Q809 & Q719 - LM67010 .....              | 1                        |
| -        | 481204   | ¼        | Cone - Q809 & Q719 - LM48548 .....                   | 1                        |
| -        | 496011   | -        | Inner Cup - Q809 & Q719 - LM48510 .....              | 1                        |
| -        | 497010   | -        | Grease Seal - Q719 - CR 15190 .....                  | 1                        |
| -        | 490006   | ¼        | Hub Cap - Q809 & Q719 .....                          | 1                        |
| -        | 490015   | -        | 1/2" NF Lug Nut .....                                | 5                        |
| -        | 490017   | -        | Drive-In Hub Bolt - Q719 .....                       | 5                        |
| -        | 412164   | -        | Slotted Nut -- 7/8" - 14 Spindle .....               | 1                        |
| -        | 490034   | -        | Spindle Washer -- 7/8" - Q875/Q809/Q719 .....        | 1                        |
| 8        | 493007   | 17       | 15" x 5" x 5 Hole Wheel .....                        | 1                        |
| 9        | 411594   | ¾        | Hex Bolt -- 3/4" x 5" NC - Gr 5 - Zinc .....         | 1                        |
| -        | 412012   | -        | Hex Nut -- 3/4" - 10 - Gr 2 - Zinc .....             | 1                        |
| -        | 413512   | -        | Lock Washer -- 3/4" - Zinc .....                     | 1                        |

# REAR PARKING STANDS



| <u>ITEM NO.</u> | <u>PART NO.</u> | <u>WT. LBS.</u> | <u>DESCRIPTION</u>                             | <u>QTY REQ</u> |
|-----------------|-----------------|-----------------|------------------------------------------------|----------------|
| 1               | 302222          | 19½             | Holder - Rear Parking Stand - Watermizer ..... | 2              |
| 2               | 302223          | 29              | Stand (Tube 32") .....                         | 2              |
| 3               | 416230          | ¾               | ¾" Safety Lock Pin x 5½" OAL - Zinc .....      | 2              |
| 4               | 415004          | 2½              | ¾" Sq. U-Bolt x 7" x 9" Leg .....              | 4              |
| -               | 412012          | -               | Hex Nut -- ¾" - 10 - Gr 2 - Zinc .....         | 8              |
| -               | 413512          | -               | Lock Washer -- ¾" - Zinc .....                 | 8              |