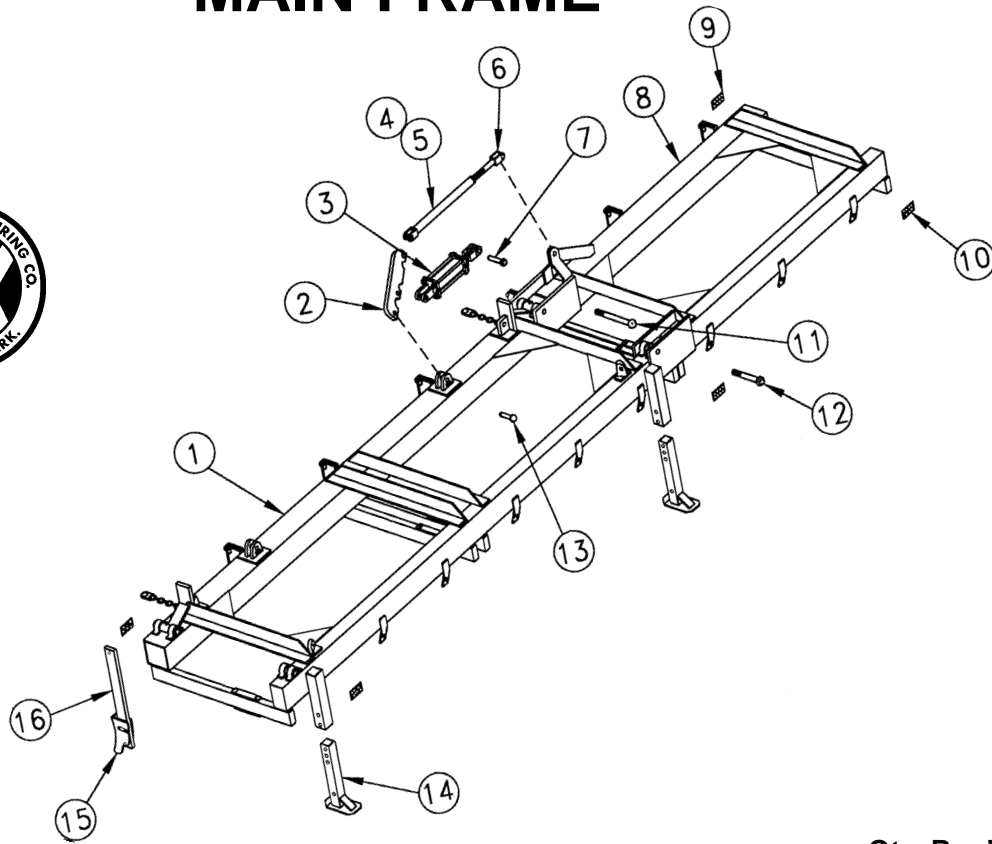


**FOLDING
ROLLING BEDMAKER**
Model No. 1726 -- 8 @ 38" Row Model
No. 1730 -- 12 @ 30" Row

1726 - 1730 - Folding Rolling Bedmaker

MAIN FRAME

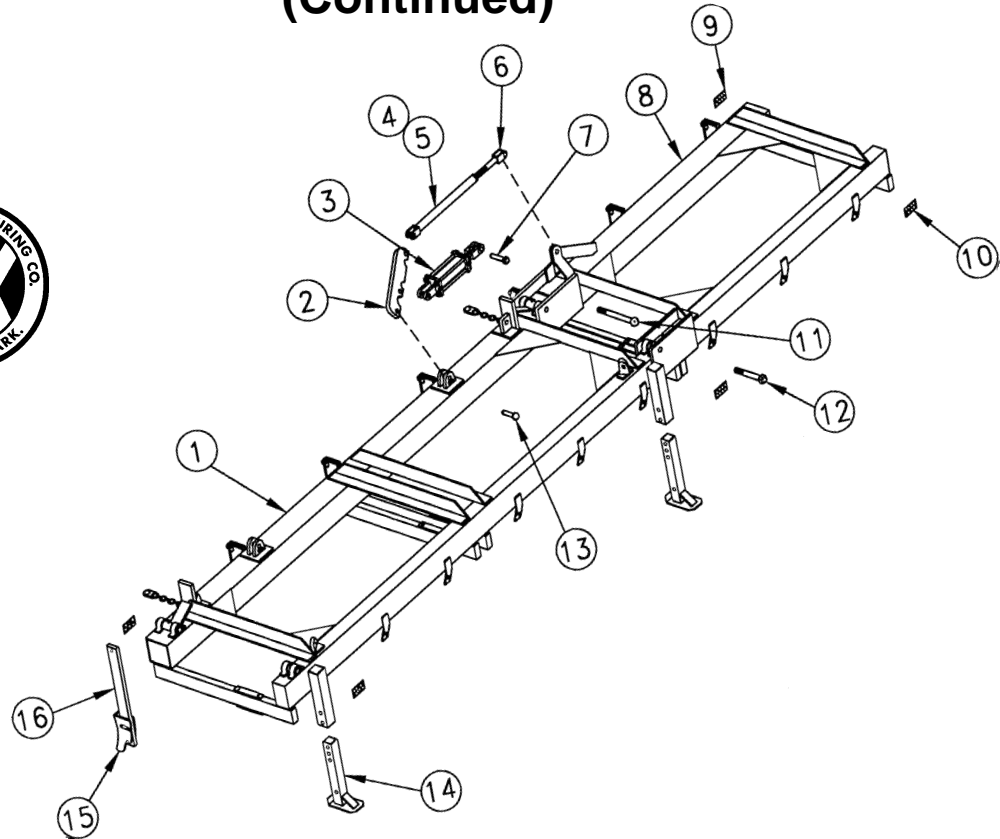


Item No.	Part No.	Wt. Lbs.	Description	Qty. Req'd.	
				8 @ 38" Row	12 @ 30" Row
1	302007	1180	Center Section – 8 @ 38" Row	1	-
-	302016	1380	Center Section – 12 @ 30" Row	-	1
2	202917	18½	Cylinder Attaching Bracket - 12NF 12LBF	2	2
3	476011	71	Hydraulic Cylinder -- 5" x 8"	2	2
-	477053	-	Seal Kit -- 5" x 8" Lion Cyl. (1½" Rod)	-	-
4	773755	12	Turnbuckle Assembly	2	2
-	416659	.70	Clevis Pin -- 1" x 2-21/32" - Zinc	4	4
-	416309	-	Rue Ring Cotter Pin -- 1" - Zinc	4	4
5	300381	5½	Turnbuckle Bottom (Rod)	2	2
6	301597	6½	Turnbuckle Body -- 22½" (Level Bander)	2	2
7	203385	1¼	Cylinder Pin for 5" x 8" Cylinder	2	2
-	203417	1	Cylinder Bracket Bolt - Level Bander	2	2
-	416309	-	Rue Ring Cotter Pin -- 1" - Zinc	4	4
8	302008	774	Wing – RH (Shown) – 8 @ 38" Row	1	-
-	302009	774	Wing – LH – 8 @ 38" Row	1	-
-	302017	780	Wing – RH – 12 @ 30" Row	-	1
-	302018	778	Wing – LH – 12 @ 30" Row	-	1

1726 - 1730 - Folding Rolling Bedmaker

MAIN FRAME

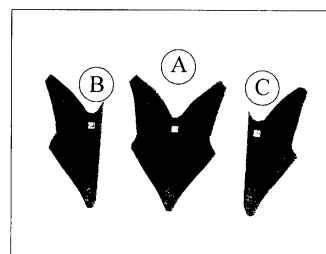
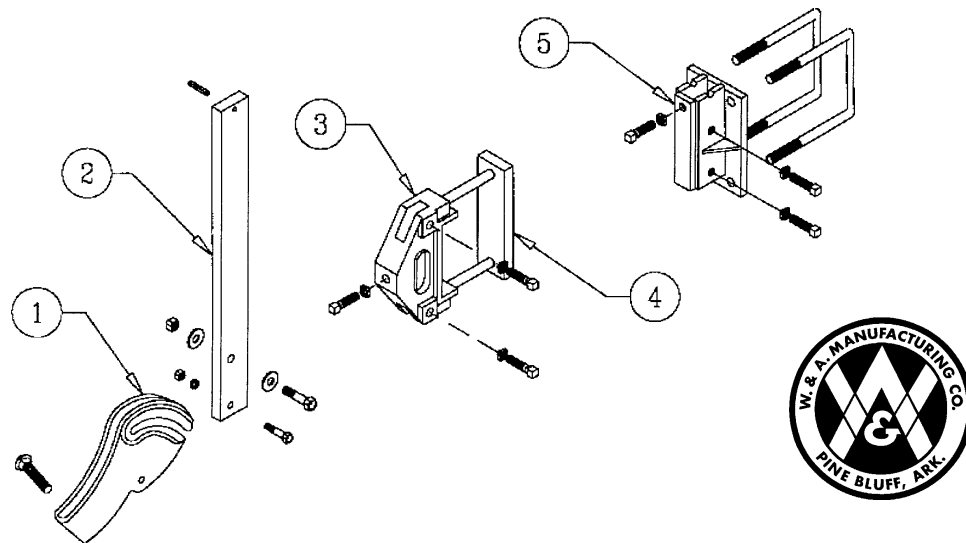
(Continued)



Item No.	Part No.	Wt. Lbs.	Description	Qty. Req'd.	
				8 @ 38" Row	12 @ 30" Row
9	461200	-	Decal -- Amber Reflector - 4½" x 2"	4	4
10	461201	-	Decal -- Red Reflector - 4½" x 2"	4	4
11	411677	4¼	Hex Bolt -- 1¼" x 11" NC - Gr 5 - Zinc - Full Body...	2	2
-	412420	-	Jam Nut -- 1¼" - 7 - Gr 2 - Zinc	4	4
12	411670	3	Hex Bolt -- 1¼" x 7½" NC - Gr. 5 - Zinc ..(Rear Pivot)	2	2
-	412420	-	Jam Nut -- 1¼" - 7 - Gr 2 - Zinc	4	4
13	203417	1¼	Cylinder Bracket Bolt - Level Bander	2	2
-	412416	.30	Jam Nut -- 1" - 8 - Gr 2 - Zinc	2	2
-	413516	-	Lock Washer -- 1" - Zinc	2	2
14	302004	14½	Parking Stand	2	2
-	416230	¾	¾" Safety Lock Pin x 5½" OAL - Zinc	2	2
15	479075	6½	Friction Trip Foot (See Pages 4 & 5)		
16	204210	24	Vertical Shank C1080 (See Pages 4 & 5)		

1726 - 1730 - Folding Rolling Bedmaker

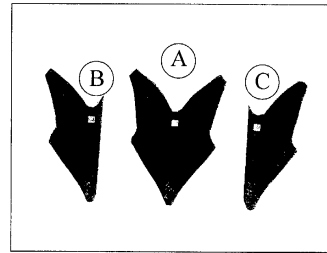
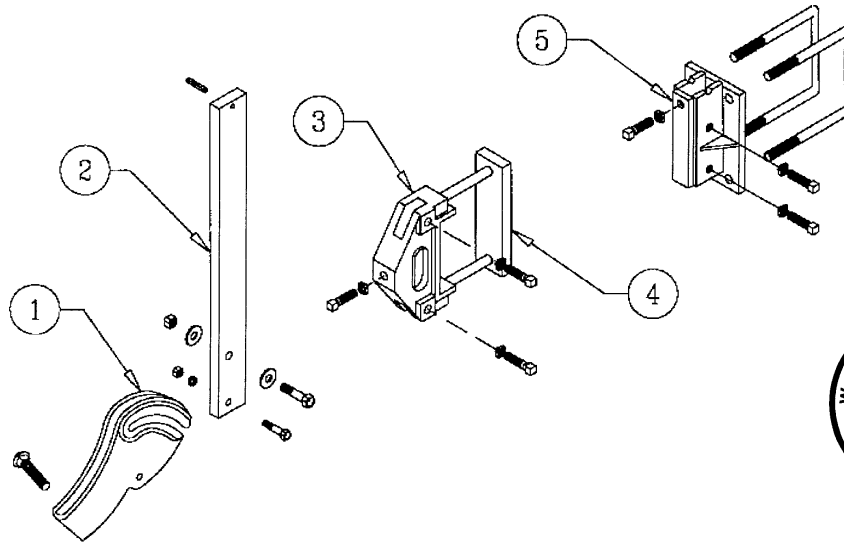
BOLT-ON SHANK HOLDERS



Item No.	Part No.	Wt. Lbs.	Description	Qty. Req'd.	
				8 @ 38" Row	12 @ 30" Row
1	479075	6½	Friction Trip Foot.....	9	13
-	411549	-	Hex Bolt -- 1/2" x 2½" NC - Gr 5 - Zinc.....	9	13
-	412008	-	Hex Nut -- 1/2" - 13 - Gr 2 - Zinc.....	9	13
-	413508	-	Lock Washer -- 1/2" - Zinc.....	9	13
-	411563	½	Hex Bolt -- 5/8" x 3" NC - Gr 5 - Zinc.....	9	13
-	410009	-	Lock Nut -- 5/8" NC - Gr 2 - Zinc.....	9	13
-	413056	-	Flat Washer, Heavy -- 5/8" - Zinc.....	18	26
-	411794	½	Carriage Bolt -- 3/4" x 3½" NC - Gr 5 - Zinc.....	9	13
-	410012	-	Lock Nut -- 3/4" NC - Gr 2 - Zinc.....	9	13
-	413058	-	Flat Washer, Heavy -- 3/4" - Zinc.....	9	13
2	204210	25	Vertical Shank C1080.....	9	11
-	416120	-	Roll Pin -- 3/8" x 2" - Zinc.....	9	9
3	479069	13½	Bolt-On Shank Holder - 7" Tool Bar.....	-	6
-	414828	-	Square Head Set Screw -- 5/8" x 1¾".....	-	18
-	412310	-	Square Nut -- 5/8" - 11 - Gr 2 - Zinc.....	-	18
-	412410	-	Jam Nut -- 5/8" - 11 - Gr 2 - Zinc.....	-	18
4	204274	9	Backing Plate for Bolt-on Shank Holder - 7".....	-	6
-	411601	1¼	Hex Bolt -- 3/4" x 8½" Gr. 5 - Zinc.....	-	12
-	412012	-	Hex Nut -- 3/4" - 10 - Gr 2 - Zinc.....	-	20
-	413512	-	Lock Washer -- 3/4" - Zinc.....	-	20

1726 - 1730 - Folding Rolling Bedmaker

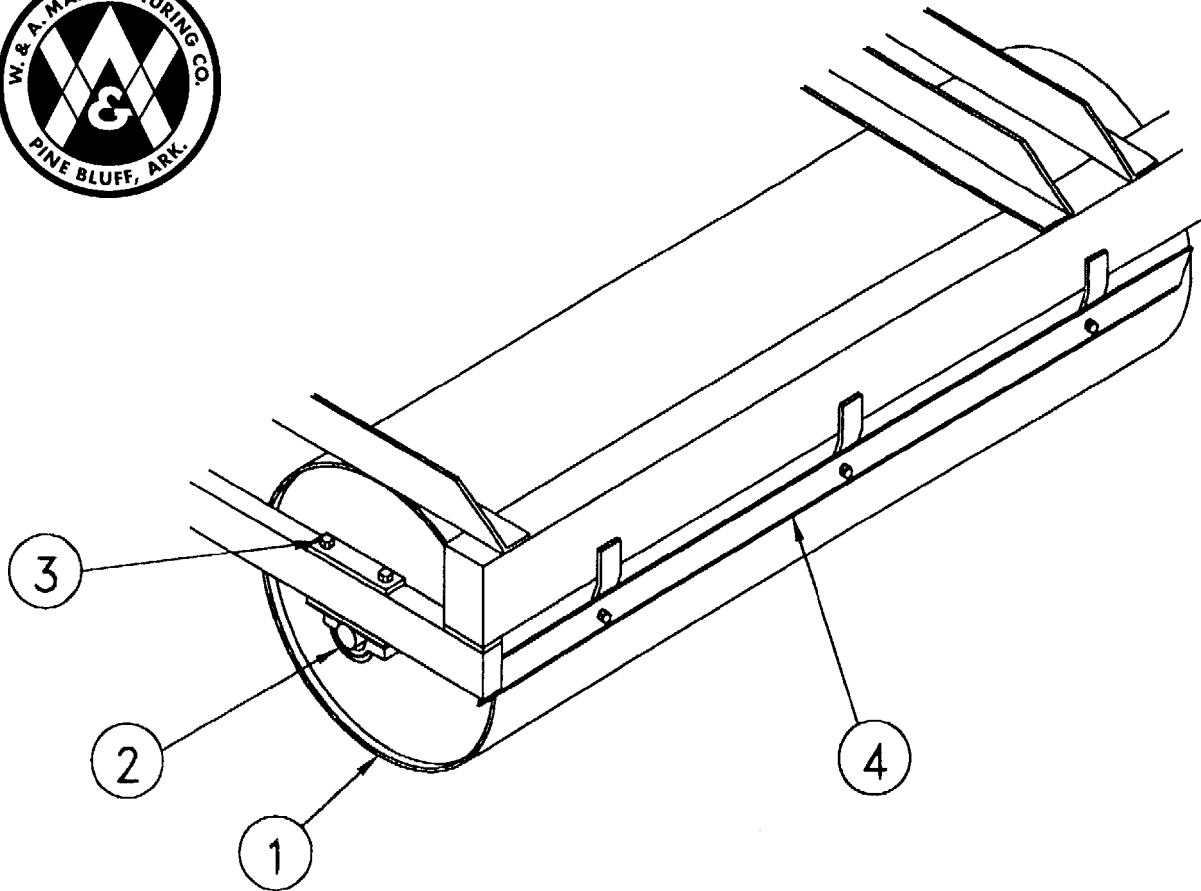
BOLT-ON SHANK HOLDERS (Continued)



Item No.	Part No.	Wt. Lbs.	Description	Qty. Req'd.	
				8 @ 38" Row	12 @ 30" Row
5	302036	19½	Center Bolt-On Shank Holder	-	2
-	414828	-	Square Head Set Screw -- 5/8" x 1¾"	27	21
-	412410	-	Jam Nut -- 5/8" - 11 - Gr 2 - Zinc	27	21
-	415004	2½	¾" Sq. U-Bolt x 7" x 9" Leg	-	4
-	412012	-	Hex Nut -- ¾" - 10 - Gr 2 - Zinc	-	8
-	413512	1.8	Lock Washer -- ¾" - Zinc	-	8
N/I	302034	27¼	1" Offset Shank – RH	-	1
N/I	302035	27¼	1" Offset Shank – LH	-	1
-	416120	-	Roll Pin -- 3/8" x 2" - Zinc	-	4
A	474031	7¼	#11N Furrower.....(11" Top Width)	7	11
N/I	474032	12¼	#12 Furrower.....(15" Top Width)	-	-
B	204216		#11N End Furrower -- LH	1	1
C	204215		#11N End Furrower -- RH	1	1

NOTE: On 8 row @38" Bed Maker -- ALL Shank Holders are welded on frame.
On 12 row @ 30" Bed Maker -- FIVE Shank Holders are welded on frame.

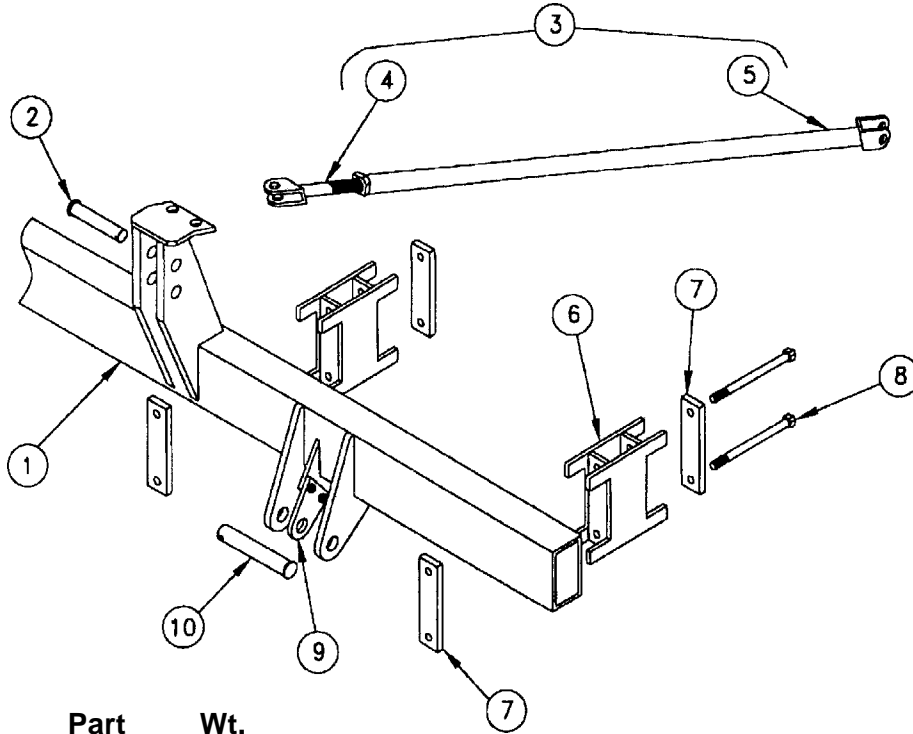
1726 - 1730 - Folding Rolling Bedmaker ROLLER



Item No.	Part No.	Wt. Lbs.	Description	Qty. Req'd.	
				8 @ 38" Row	12 @ 30" Row
1	301980	738	72" Roller – Center (8 @ 38" Row)	2	-
-	301981	794	79" Roller – Wing (8 @ 38" Row)	2	-
-	302028	806	84" Roller – Center (12 @ 30" Row)	-	2
-	302030	825	88" Roller – Wing (12 @ 30" Row)	-	2
2	482101	4	1-15/16" Pillow Block & Bearing Complete	8	8
-	481215	1	1-15/16" Bearing w/Lock Collar - #G115-KRRB-S1115K	-	-
-	480006	3	Pillow Block for 1-15/16" Bearing	-	-
3	411573	¾	Hex Bolt -- 5/8" x 7" NC - Gr 5 - Zinc	16	16
-	413010	-	Flat Washer -- 5/8" - Zinc	16	16
-	410009	-	Lock Nut -- 5/8" NC - Gr 2 - Zinc	16	16
4	204254	20	Scraper – 72" – Center (8 @ 38" Row)	2	-
-	204255	21¾	Scraper – 79" – Wing (8 @ 38" Row)	2	-
-	204256	22½	Scraper – 84" – Center (12 @ 30" Row)	-	2
-	204257	23¾	Scraper – 88" – Wing (12 @ 30" Row)	-	2
-	411785	-	Carriage Bolt -- 1/2" x 1½" NC - Gr 5 - Zinc	12	12
-	413508	-	Lock Washer -- 1/2" - Zinc	12	12
-	412008	-	Hex Nut -- 1/2" - 13 - Gr 2 - Zinc	12	12

1726 - 1730 - Folding Rolling Bedmaker

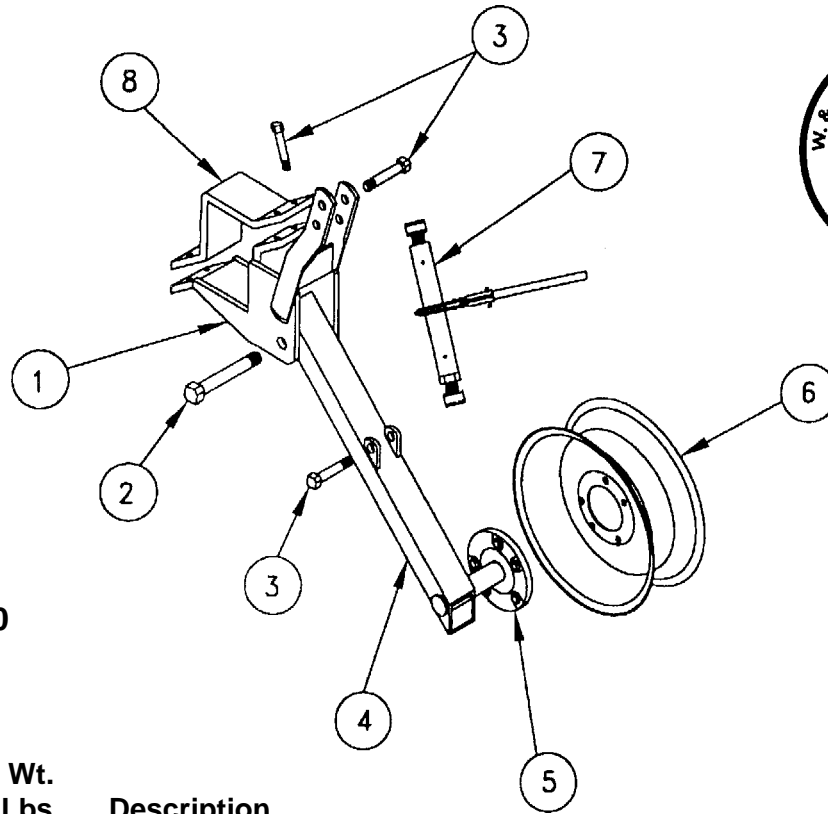
HITCH ASSEMBLY



Item No.	Part No.	Wt. Lbs.	Description	Qty. Req'd.	
				8 @ 38" Row	12 @ 30" Row
1	302005	324	Hitch – 8 @ 38" Row	1	-
-	302019	349	Hitch – 12 @ 30" Row	-	1
2	416698	2	1-1/4" Top Link Pin - Zinc	1	1
-	416207	-	Klik Pin -- 7/16" - Zinc	1	1
3	773666	21½	Adjusting Arm Assembly	2	2
-	416659	.70	Clevis Pin -- 1" x 2-21/32" - Zinc	4	4
-	416309	-	Rue Ring Cotter Pin -- 1" - Zinc	4	4
4	300381	5¼	Turnbuckle Bottom (Rod)	2	2
5	301602	16¼	Turnbuckle Body (65" Pipe)	2	2
6	302014	25	5" Spacer Block	4	4
7	203960	5	Backing Plate	8	8
-	411598	½	Hex Bolt -- 3/4" x 6½" NC - Gr 5 - Zinc	8	8
-	412012	-	Hex Nut -- 3/4" - 10 - Gr 2 - Zinc	8	8
-	413512	-	Lock Washer -- 3/4" - Zinc	8	8
8	411604	1¼	Hex Bolt -- 3/4" x 10" NC - Gr 5 - Zinc	8	8
-	412012	-	Hex Nut -- 3/4" - 10 - Gr 2 - Zinc	8	8
-	413512	-	Lock Washer -- 3/4" - Zinc	8	8
9	204117	3	Hitch Center Pull Plate	2	2
-	411214	¼	Hex Bolt -- 5/8" x 2" NC - Gr 2 - Zinc	4	4
-	412010	-	Hex Nut -- 5/8" - 11 - Gr 2 - Zinc	4	4
-	413510	-	Lock Washer -- 5/8" - Zinc	4	4
10	300841	4¼	Hitch Pin -- 1-7/16" x 9"	2	2
-	416207	-	Klik Pin -- 7/16" - Zinc	2	2

1726 - 1730 - Folding Rolling Bedmaker

7 x 7 BAR GAUGE WHEEL



No. 1320

Item No.	Part No.	Wt. Lbs.	Description	Qty. Req'd.
1	302020	35¼	Holder - Gauge Wheel	1
2	411648	1	Hex Bolt -- 1" x 6½" NC - Gr 5 - Zinc	1
-	412016	-	Hex Nut -- 1" - 8 - Gr 2 - Zinc	1
-	413516	-	Lock Washer -- 1" - Zinc	1
3	411591	½	Hex Bolt -- ¾" x 4" NC - Gr 5 - Zinc	6
-	412012	-	Hex Nut -- ¾" - 10 - Gr 2 - Zinc	6
-	413512	-	Lock Washer -- ¾" - Zinc	6
4	302022	42½	LH Leg w/Hub - #1320 Gauge Wheel (Shown)	1
-	302021	42½	RH Leg w/Hub - #1320 Gauge Wheel	1
5	491119	10	5 Hole Hub Complete - Q-719	1
-	491007	9¾	Hub w/Cups Only - Q-719	1
-	481205	¼	Cone - Q809 & Q719 - LM67048	1
-	496010	-	Outer Cup - Q809 & Q719 - LM67010	1
-	481204	¼	Cone - Q809 & Q719 - LM48548	1
-	496011	-	Inner Cup - Q809 & Q719 - LM48510	1
-	497010	-	Grease Seal - Q719 - CR 15190	1
-	490006	¼	Hub Cap - Q809 & Q719	1
-	490015	-	1/2" NF Lug Nut	5
-	490017	-	Drive-In Hub Bolt - Q719	5
-	412164	-	Slotted Nut -- 7/8" - 14 Spindle	1
-	490034	-	Spindle Washer -- 7/8" - Q875/Q809/Q719	1
6	493007	17	15" x 5" x 5 Hole Wheel	1
7	302025	11½	Ratchet Crank Assembly	1
8	204242	13½	Backing Plate (Bed Maker Gauge Wheel)	1