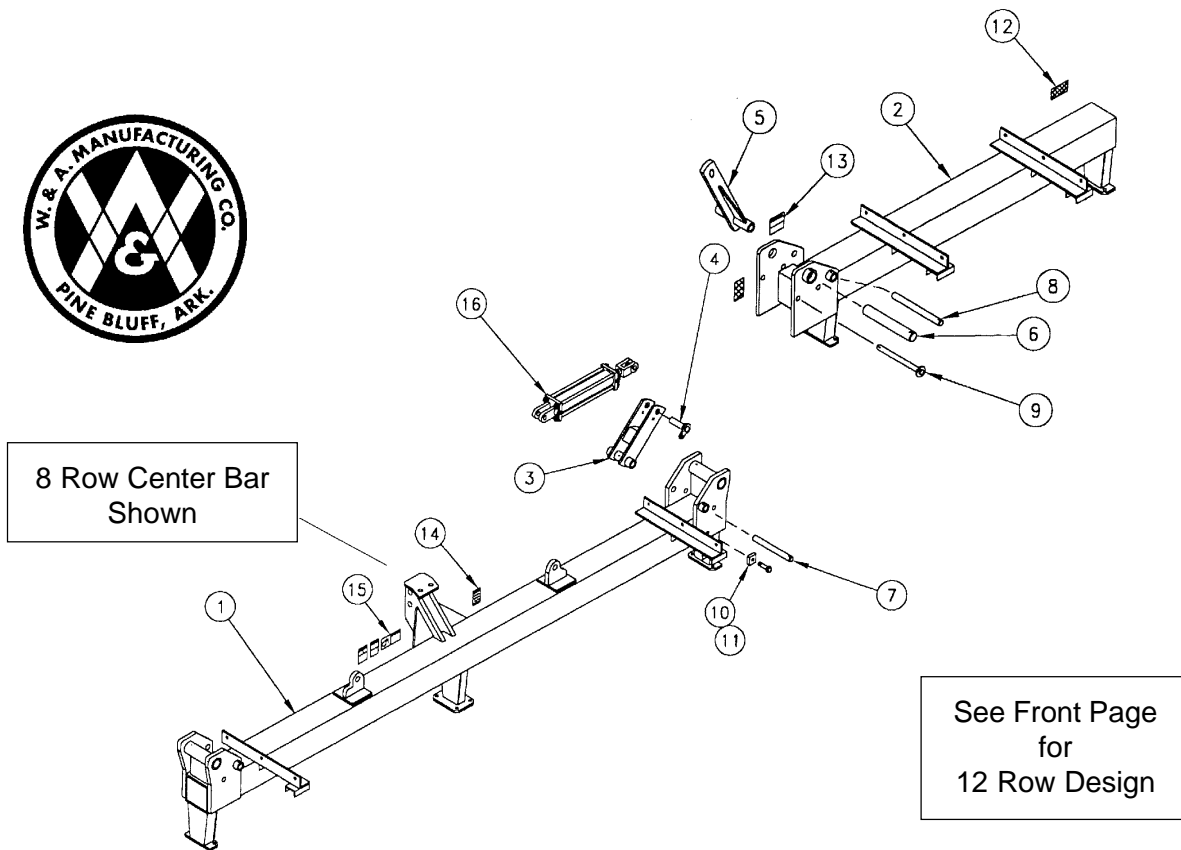


# **3 POINT PULVAMIZER 150° FOLDING BAR**

**Model No. 3618 -- 8 @ 38" Row**  
**Model No. 3620 -- 12 @ 38"/40" Row**

# REEL FRAME

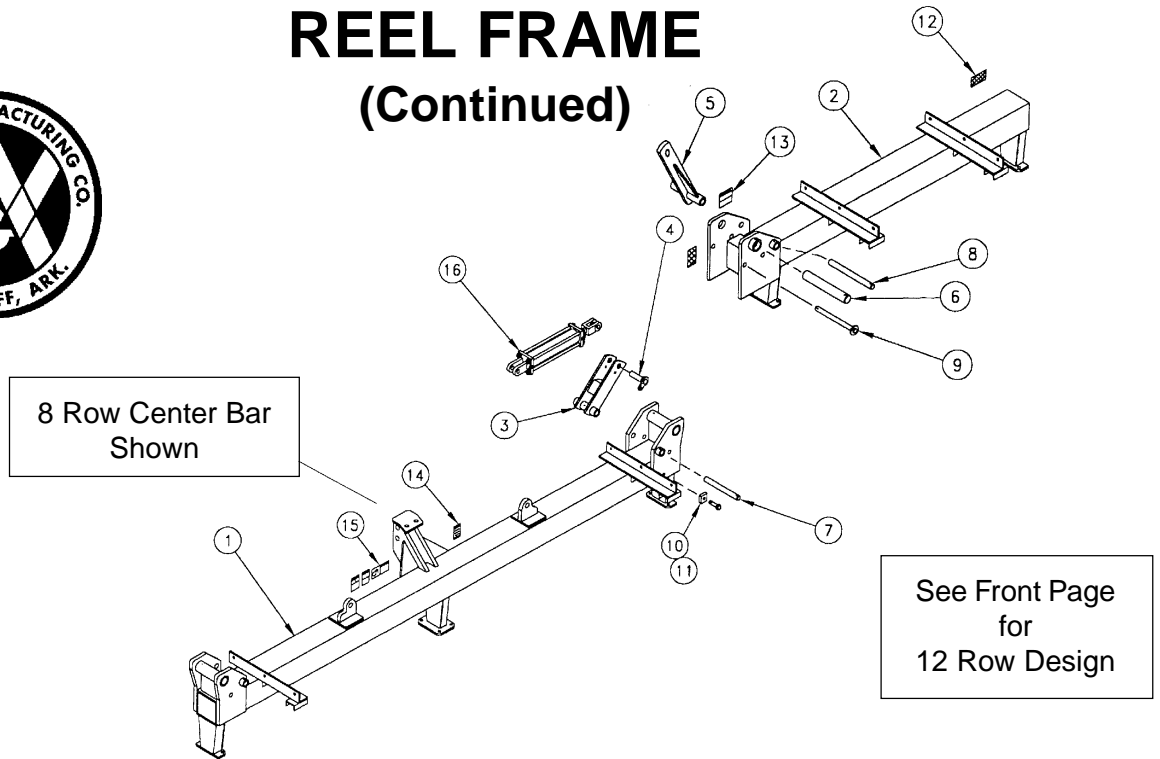


ITEM NO.	PART NO.	WT. LBS.	DESCRIPTION	QTY. REQUIRED	
				8 Row	12 Row
1	302107	790	Center Reel Frame (8 Row) .....	1	-
-	302110	1,143	Center Reel Frame (12 Row) .....	-	1
2	302108	295	Wing Reel Frame - RH (8 Row) .....	1	-
-	302109	295	Wing Reel Frame - LH (8 Row) .....	1	-
-	302111	359	Wing Reel Frame - RH (12 Row) .....	-	1
-	302112	359	Wing Reel Frame - LH (12 Row) .....	-	1
3	302085	21	Follow Arm - 150° Fold Bar .....	2	2
4	302086	2¾	Cylinder Lock Pin - 150° Fold Bar .....	2	2
-	411545	-	Hex Bolt -- 1/2" x 1½" NC - Gr 5 - Zinc .....	2	2
-	413008	-	Flat Washer -- 1/2" - Zinc .....	2	2
-	413508	-	Lock Washer -- 1/2" - Zinc .....	2	2
5	302084	2¾	Folding Arm - 150° Fold Bar .....	2	2
6	204388	11½	Pivot Pin -- 2" x 13-1/8" - 150° Fold Bar .....	2	2
-	416133	-	Roll Pin -- 1/2" x 3½" - Zinc .....	2	2
7	204389	4	Follow Arm Pin -- 1¼" x 11½" - 150° Fold Bar .....	2	2
-	416109	-	Roll Pin -- 5/16" x 2½" - Zinc .....	4	4



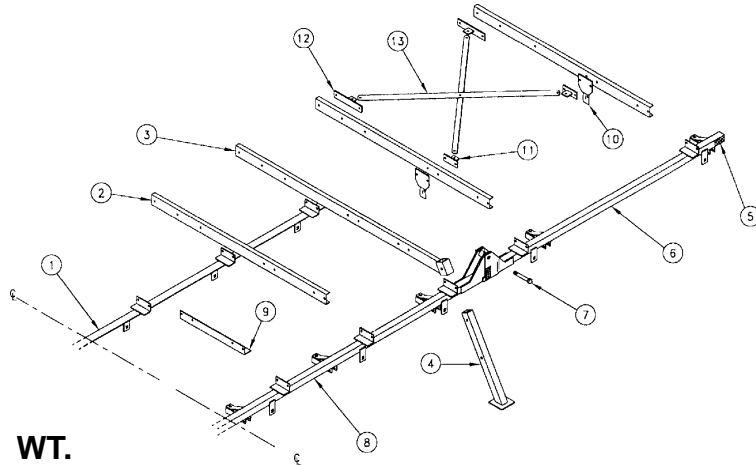
# REEL FRAME

## (Continued)



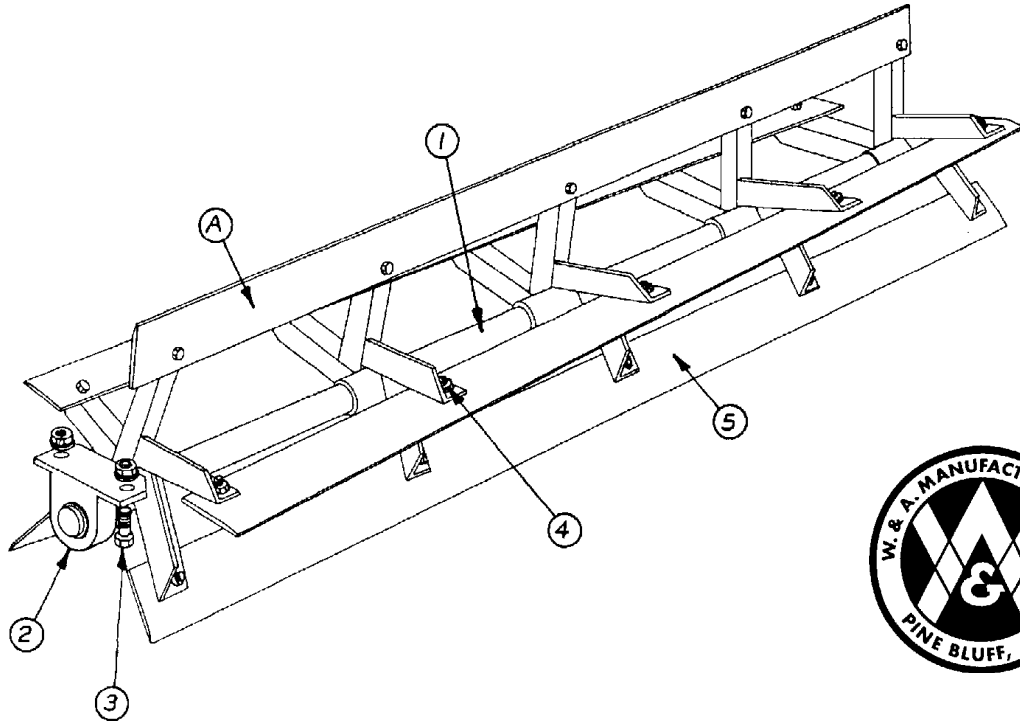
ITEM NO.	PART NO.	WT. LBS.	DESCRIPTION	QTY. REQUIRED	
				8 Row	12 Row
8	204390	4½	Folding Arm Pin -- 1¼" x 13-1/8" - 150° Fold Bar ...	2	2
9	302087	3	Wing Lock Pin - 150° Fold Bar .....	2	2
-	416204	-	Klik Pin -- 1/4" - Zinc .....	2	2
10	204398	3/4	Stop Block - 150° Fold Bar .....	4	4
11	411584	1/4	Hex Bolt -- 3/4" x 2" NC - Gr 5 - Zinc .....	4	4
-	413512	-	Lock Washer -- 3/4" - Zinc .....	4	4
12	461200	-	Decal - Amber Reflector - 4½" x 2"...(On Front of Wings) .....	4	4
13	461135	-	Warning Decal - Overhead Wing Hazard .....	2	2
14	461123	-	Warning Decal - Read Operator's Manual .....	1	1
15	461138	-	Danger Decal - Crushing Hazard .....	1	1
-	461137	-	Danger Decal - Electrocution Hazard .....	1	1
-	461113	-	Warning Decal - High Pressure Fluid .....	1	
16	476026	100	Hydraulic Cylinder -- 5" x 16" .....	2	2
-	446188	1/4	1/2" x 1/2" Swivel Orifice Elbow .....	4	4
N/I	302128	28	Wing Support Stand (45-7/8" Tube) .....	2	-
-	302132	38	Wing Support Stand (54-1/8" Tube) .....	-	2
-	415004	2½	3/4" Sq. U-Bolt x 7" x 9" Leg .....	4	4
-	412012	-	Hex Nut -- 3/4" - 10 - Gr 2 - Zinc .....	8	8
-	413512	-	Lock Washer -- 3/4" - Zinc .....	8	8

# HARROW FRAMES



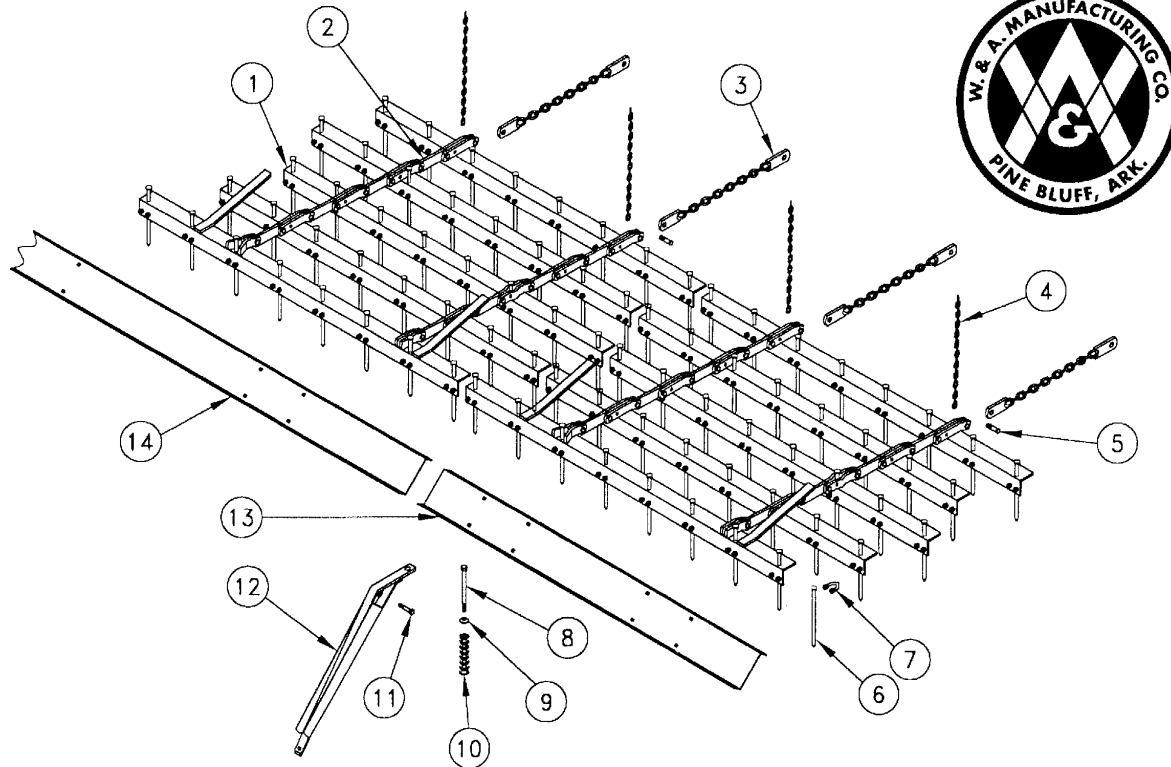
ITEM NO.	PART NO.	WT. LBS.	DESCRIPTION	QTY. REQUIRED	
				8 Row	12 Row
1	302120	112	Front Harrow Carrying Frame (12 Row) .....	-	1
-	302119	71½	Front Harrow Carrying Frame (8 Row) .....	1	-
2	204448	36½	Connecting Channel .....	4	6
-	411560	-	Hex Bolt -- 5/8" x 1½" NC - Gr 5 - Zinc .....	28	42
-	410009	-	Lock Nut -- 5/8" NC - Gr 2 - Zinc .....	28	42
3	302125	45½	RH Stand Conn. Channel -- 150° Fold N3P .....	1	1
-	302126	45½	LH Stand Conn. Channel -- 150° Fold N3P .....	1	1
-	411560	-	Hex Bolt -- 5/8" x 1½" NC - Gr 5 - Zinc .....	14	14
-	410009	-	Lock Nut -- 5/8" NC - Gr 2 - Zinc .....	14	14
4	302127	19¾	Rear Parking Stand .....	2	2
-	416228	½	1/2" Safety Lock Pin x 5½" OAL - Zinc .....	2	2
5	461201	-	Decal - Red Reflector - 4½" x 2" .....	4	4
6	302117	99	Rear Harrow Carrying Wing - RH (12 Row) .....	-	1
-	302114	67	Rear Harrow Carrying Wing - RH (8 Row) .....	1	-
-	302118	99	Rear Harrow Carrying Wing - LH (12 Row) .....	-	1
-	302115	67	Rear Harrow Carrying Wing - LH (8 Row) .....	1	-
7	411668	3	Hex Bolt -- 1¼" x 6½" NC - Gr 5 - Zinc .....	2	2
-	412420	½	Jam Nut -- 1¼" - 7 - Gr 2 - Zinc .....	4	4
-	413117	-	Machine Washer -- 2¼" OD x 1¼" ID x 14 Ga .....	4	4
8	302116	238	Rear Center Harrow Carrying Frame (12 Row) .....	-	1
-	302113	149	Rear Center Harrow Carrying Frame (8 Row) .....	1	-
9	204444	11¾	Rear Connecting Angle .....	2	2
-	411560	-	Hex Bolt -- 5/8" x 1½" NC - Gr 5 - Zinc .....	8	8
-	410009	-	Lock Nut -- 5/8" NC - Gr 2 - Zinc .....	8	8
10	302121	5½	Chain Hanger - RH .....	2	2
-	302122	5½	Chain Hanger - LH .....	2	2
11	302124	2¼	Rear Brace Bracket (12 Row) .....	-	4
12	302123	4	Front Brace Bracket (12 Row) .....	-	4
13	204452	12½	Wing Brace (12 Row) .....	-	4
-	411560	-	Hex Bolt -- 5/8" x 1-1/2" NC - Gr 5 - Zinc .....	26	26
-	410009	-	Lock Nut -- 5/8" NC - Gr 2 - Zinc .....	26	26

# REEL



ITEM NO.	PART NO.	WT. LBS.	DESCRIPTION	QTY. REQ'D FOR 1 MACHINE	
				8 Row	12 Row
A	770020	235	Spiral 6 ft Reel Complete w/Bearings .....	4	-
	770022	350	Spiral 110" Reel Complete w/Bearings .....	-	4
1	300451	116	Spiral 77" Reel Shaft w/5 support brackets .....	4	-
-	301068	191	Spiral 118" Reel Shaft w/7 support brackets .....	-	4
2	482101	4	1-15/16" Pillow Block & Bearing - Complete .....	8	8
-	481215	1	1-15/16" Bearing w/Lock Collar .....	-	-
-	480006	3	Pillow Block for 1-15/16" Bearing .....	-	-
3	411562	1/4	Hex Bolt -- 5/8" x 2 1/2" NC - Gr 5 - Zinc .....	16	16
-	410009	-	Lock Nut -- 5/8" NC - Gr 2 - Zinc .....	16	16
-	413010	-	Flat Washer -- 5/8" - Zinc .....	16	16
4	411211	1/4	Hex Bolt -- 5/8" x 1-1/4" NC - Gr 2 - Zinc .....	100	140
-	410009	-	Lock Nut -- 5/8" NC - Gr 2 - Zinc .....	100	140
5	200539	20	Spiral Pulvamer Blade x 72" .....	20	-
-	202180	32	Spiral Pulvamer Blade x 110" .....	-	20

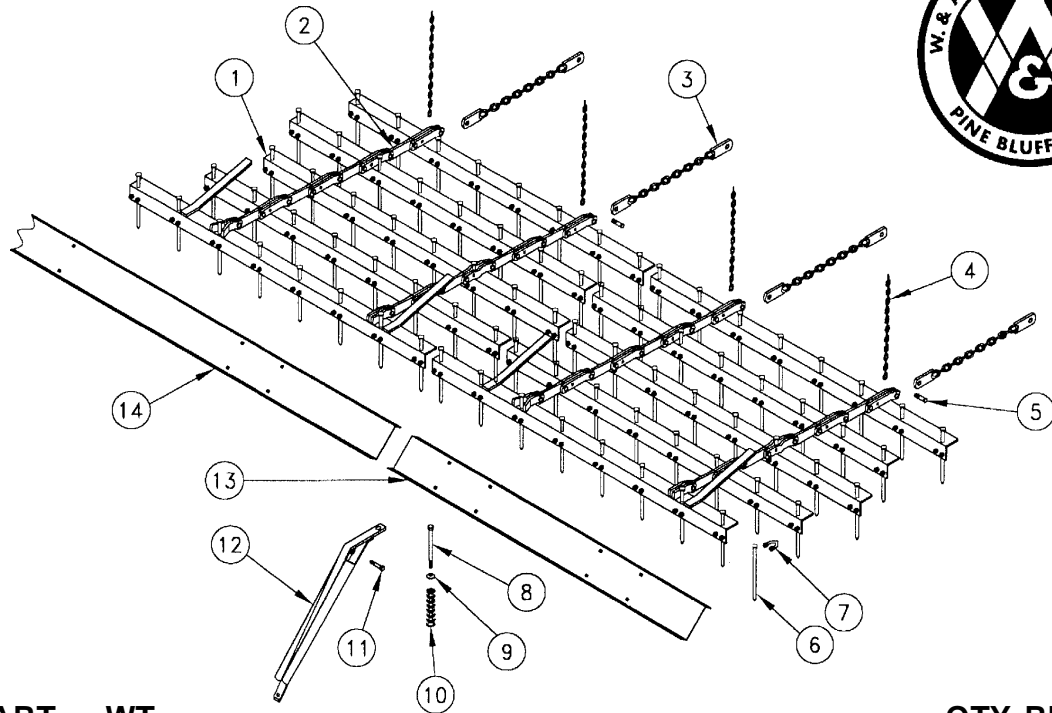
# HARROWS & DRAGBOARDS



ITEM NO.	PART NO.	WT. LBS.	DESCRIPTION	QTY. REQUIRED	
				8 Row	12 Row
1	773023	291	6' Heavy N3P Harrow w/Bushing - 9 Link Pull Chain....	4	3
-	773024	435	111" Heavy N3P Harrow w/Bushing .....	-	2
2	773012	2	Harrow Conn. Link w/Bushings - (7¾" Long) .....	32	48
-	401055	-	Spring Bushing for Harrow Pull Piece.....(5/8" ID) .....	-	-
3	300583	3¾	Pull Piece w/Bushings - N3P Harrow....(15 Link) .....	8	12
4	402015	1	High Test Chain -- 1/4" x 19 Link Chain .....	16	20
-	416204	-	Klik Pin -- 1/4" - Zinc .....	16	20
-	411148	-	Hex Bolt -- 3/8" x 2½" NC - Zinc .....	16	20
-	412006	-	Hex Nut -- 3/8" - 16 - Gr 2 - Zinc .....	16	20
-	413506	-	Lock Washer -- 3/8" - Zinc .....	16	20
-	413006	-	Flat Washer -- 3/8" - Zinc .....	32	40
5	416633	¼	Clevis Pin Knurled & Threaded -- 5/8" x 2¼" - Zinc .....	80	120
-	410009	-	Lock Nut -- 5/8" NC - Gr 2 - Zinc .....	80	120
6	472010	1¾	Harrow Tooth -- 3/4" x 11" .....	160	240
7	415105	-	3/8" V-Bolt x 1-1/8" x 1-7/8" Leg (Adj. Harrow) .....	160	240
-	410006	-	Lock Nut -- 3/8" NC - Zinc .....	320	480

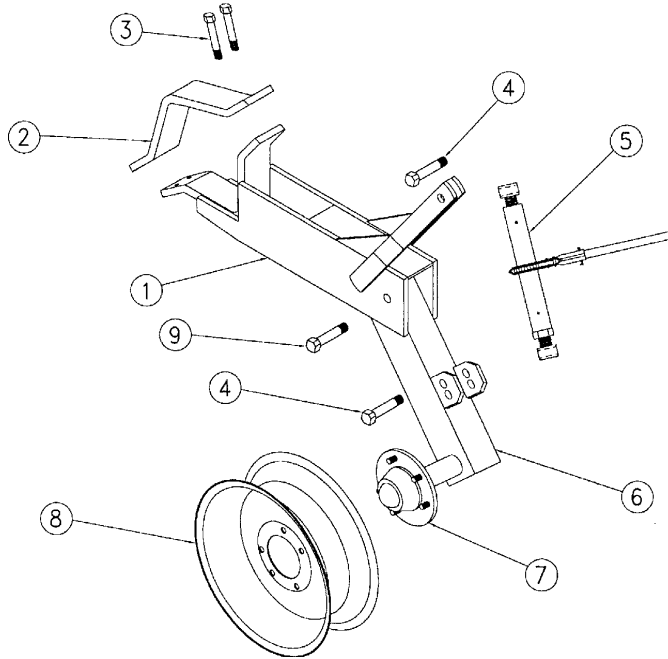
# HARROWS & DRAGBOARDS

## (Continued)



ITEM NO.	PART NO.	WT. LBS.	DESCRIPTION	QTY. REQUIRED	
				8 Row	12 Row
8	411237	1	Hex Bolt -- 5/8" x 8" NC - Gr 2 - Zinc .....	7	10
-	410009	-	Lock Nut -- 5/8" NC - Gr 2 - Zinc .....	7	10
9	202350	-	Cup Washer for Spring .....	7	10
10	471006	1½	Compression Spring .....	7	10
11	411551	¼	Hex Bolt -- 1/2" x 3" NC - Gr 5 - Zinc .....	7	10
-	410008	-	Lock Nut -- 1/2" NC - Zinc .....	7	10
12	300388	17	Dragboard Bracket (Pulv).....	7	10
-	411729	-	Carriage Bolt -- 1/2" x 1¼" NC - Gr 2 - Zinc .....	14	20
-	412008	-	Hex Nut -- 1/2" - 13 - Gr 2 - Zinc .....	14	20
-	413508	-	Lock Washer -- 1/2" - Zinc .....	14	20
<i>(Hardware attaches bracket to dragboard)</i>					
13	202117	35	6'6" Metal Dragboard -- Wings (8 Row) .....	2	-
-	202910	51	112" Metal Dragboard -- Wings (12 Row) .....	-	2
14	301491	71	13'0" Metal Dragboard -- Center (8 Row).....	1	-
-	202509	54	10'0" Metal Dragboard RH -- Center (12 Row) .....	-	1
-	202322	54	10'0" Metal Dragboard LH -- Center (12 Row) .....	-	1

# RATCHET ADJ. GAUGE WHEELS



No. 1338

Item No.	Part No.	Wt. Lbs.	Description	Qty. Req. for 1 Assembly
1	302225	60	Holder -- Gauge Wheels .....	1
2	203770	10	Backing Clamp for 7" Sq. Bar .....	1
3	411591	½	Hex Bolt -- ¾" x 4" NC - Gr 5 - Zinc .....	4
-	412012	-	Hex Nut -- ¾" - 10 - Gr 2 - Zinc .....	6
-	413512	-	Lock Washer -- ¾" - Zinc .....	6
4	411591	½	Hex Bolt -- ¾" x 4" NC - Gr 5 - Zinc .....	2
5	302025	11½	Ratchet Crank Assembly .....	1
6	302226	34¾	RH Leg w/Hub -- #1338 Gauge Wheel (Shown) .....	1
-	302227	34¾	LH Leg w/Hub -- #1338 Gauge Wheel .....	1
7	491119	11	5 Hole Hub Complete - Q-719 .....	1
-	491007	9¾	Hub w/Cups Only - Q-719 .....	1
-	481205	¼	Cone - Q809 & Q719 - LM67048 .....	1
-	496010	-	Outer Cup - Q809 & Q719 - LM67010 .....	1
-	481204	¼	Cone - Q809 & Q719 - LM48548 .....	1
-	496011	-	Inner Cup - Q809 & Q719 - LM48510 .....	1
-	497010	-	Grease Seal - Q719 - CR 15190 .....	1
-	490006	¼	Hub Cap - Q809 & Q719 .....	1
-	490015	-	1/2" NF Lug Nut .....	5
-	490017	-	Drive-In Hub Bolt - Q719 .....	5
-	412164	-	Slotted Nut -- 7/8" - 14 Spindle .....	1
-	490034	-	Spindle Washer -- 7/8" - Q875/Q809/Q719 .....	1
8	493007	17	15" x 5" x 5 Hole Wheel .....	1
9	411594	¾	Hex Bolt -- ¾" x 5" NC - Gr 5 - Zinc .....	1
-	412012	-	Hex Nut -- ¾" - 10 - Gr 2 - Zinc .....	1
-	413512	-	Lock Washer -- ¾" - Zinc .....	1