

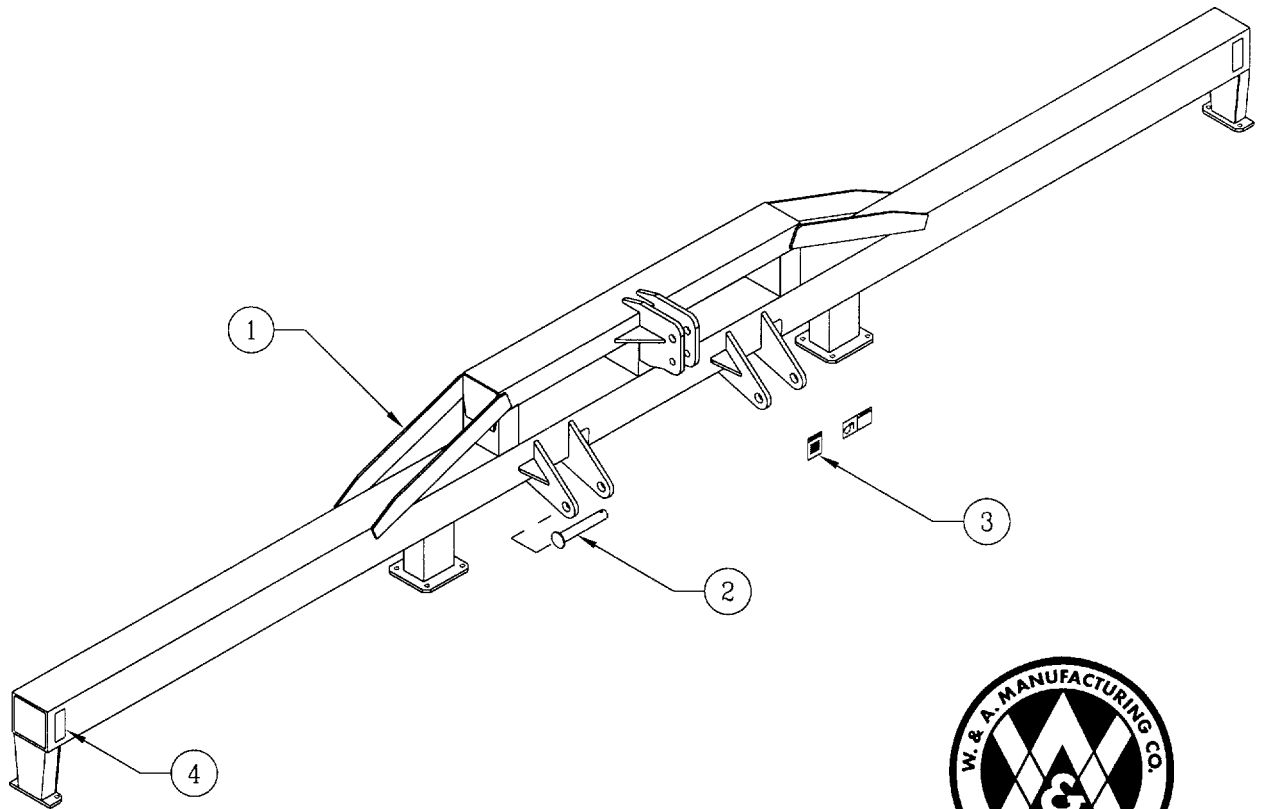
**6 @ 38"/40" Row -- 8 @ 38"/40" Row -- 12 @ 30" Row**

# **RIGID CHOPPER-BEDDER**

**Model No. 3856 & 3858 & 3860**

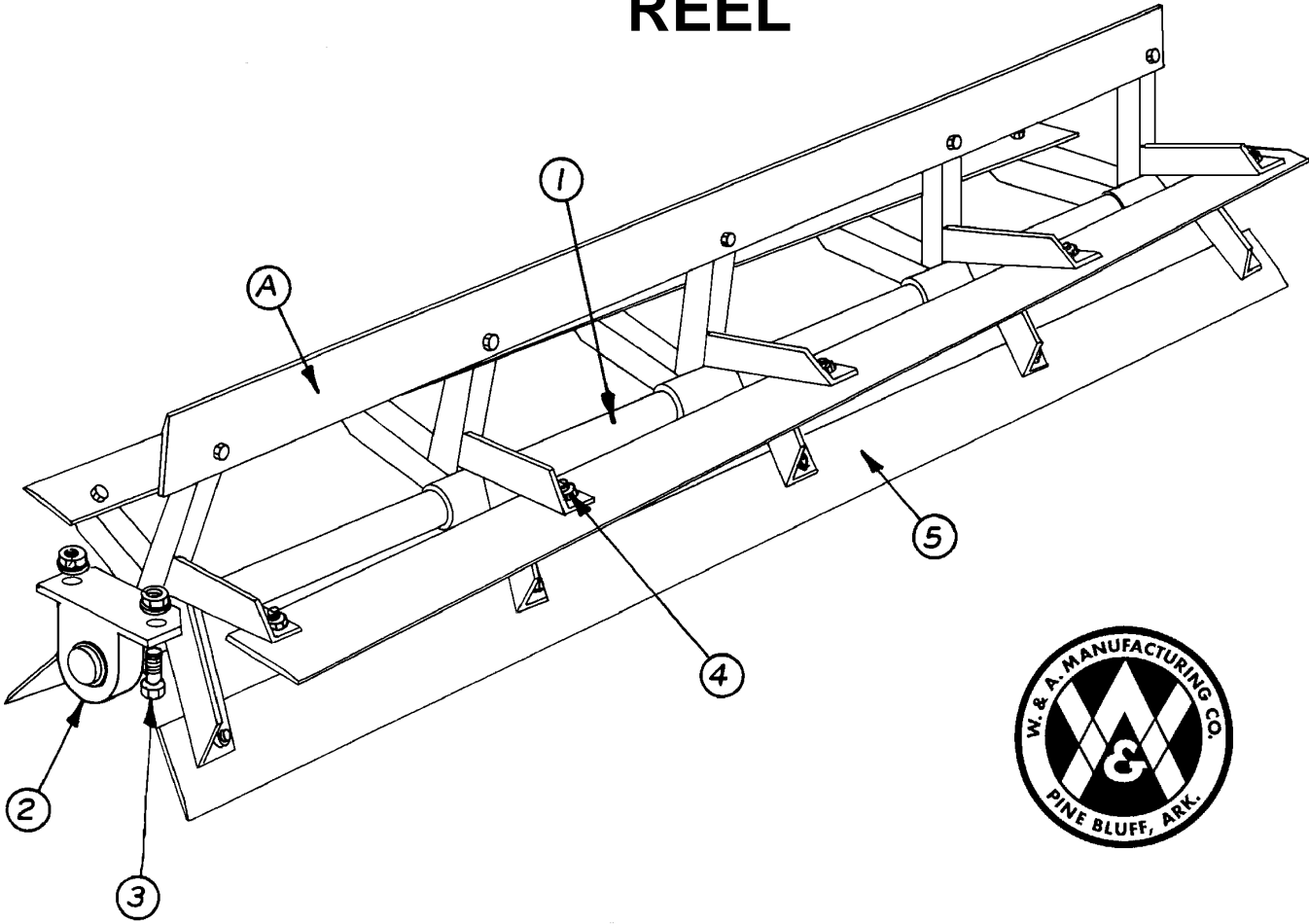
# 3856 - 3858 - 3860 - Rigid Chopper Bedder

## REEL FRAME



<u>Item No.</u>	<u>Part No.</u>	<u>Wt. Lbs.</u>	<u>Description</u>	<u>Qty. Req'd</u>
1	302248	994	Six Row 38"/40" Reel Frame .....	1
-	302249	1,369	Eight Row 38"/40" Reel Frame .....	1
-	302250	1,518	Twelve Row 30" Reel Frame .....	1
2	300841	4	Hitch Pin - 1-7/16" x 9" .....	2
-	416207	-	7/16" Klik Pin - Zinc .....	2
N/I	416698	2	1-1/4" Top Link Pin - Zinc (6-1/2") .....	1
-	416207	-	7/16" Klik Pin - Zinc .....	1
3	461123	-	"Warning - Read Operator's Manual" Safety Sign .....	1
-	461138	-	"Danger - Crushing Hazard" Safety Sign .....	1
4	461200	-	Yellow Reflector .....	2
-	461201	-	Red Reflector (One at each end of rear tool bar) .....	2

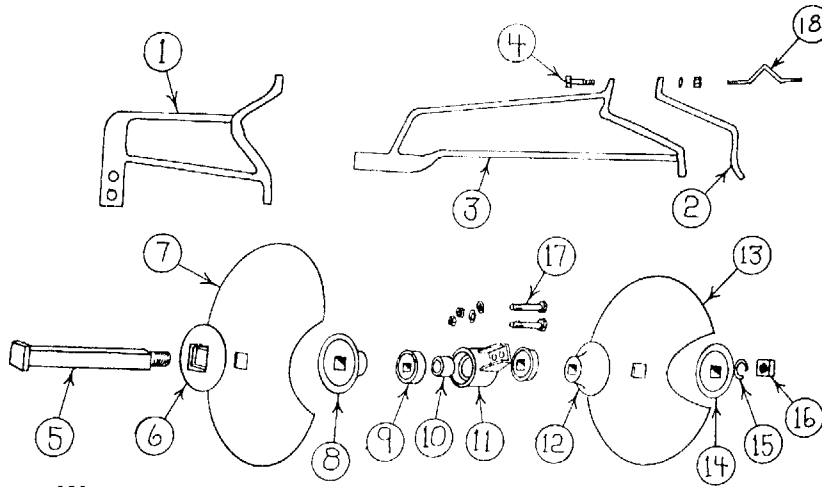
# REEL



Item No.	Part No.	Wt. Lbs.	Description	Qty. Req'd for 1 Machine		
				6 Row	8 Row	12 Row
A	770020	235	Spiral 6 ft Reel Complete w/Bearings .....	3	4	-
-	770030	288	Spiral 84" Reel Complete w/Bearings .....	-	-	4
1	300451	116	1-15/16" x 77" Shaft w/5 spiral brackets only .....	3	4	-
-	302149	152	1-15/16" x 89" Shaft w/6 spiral brackets only .....	-	-	4
2	482101	4	1-15/16" Pillow Block & Bearing - Pulv .....	6	8	8
-	481215	1	1-15/16" Bearing w/Lock Collar Peer #G1115-KRRB-S1115K .....	-	-	-
-	480006	3	Pillow Block for 1-15/16" Bearing .....	-	-	-
3	411562	¼	Hex Bolt -- 5/8" x 2" NC - Gr 5 - Zinc .....	12	16	16
-	410009	-	Lock Nut -- 5/8" NC - Zinc .....	12	16	16
-	413010	-	Flat Washer -- 5/8" - Zinc .....	12	16	16
4	411211	¼	Hex Bolt -- 5/8" x 1-1/4" NC - Gr 2 - Zinc .....	75	100	120
-	410009	-	Lock Nut -- 5/8" NC - Zinc .....	75	100	120
5	200539	20	Spiral Pulv Blade x 72" ....(9/32" x 4" x 72") .....	15	20	-
-	204482	24¾	Spiral Pulv Blade x 84" ....(9/32" x 4" x 84") .....	-	-	20

**3856 - 3858 - 3860 - Rigid Chopper Bedder**

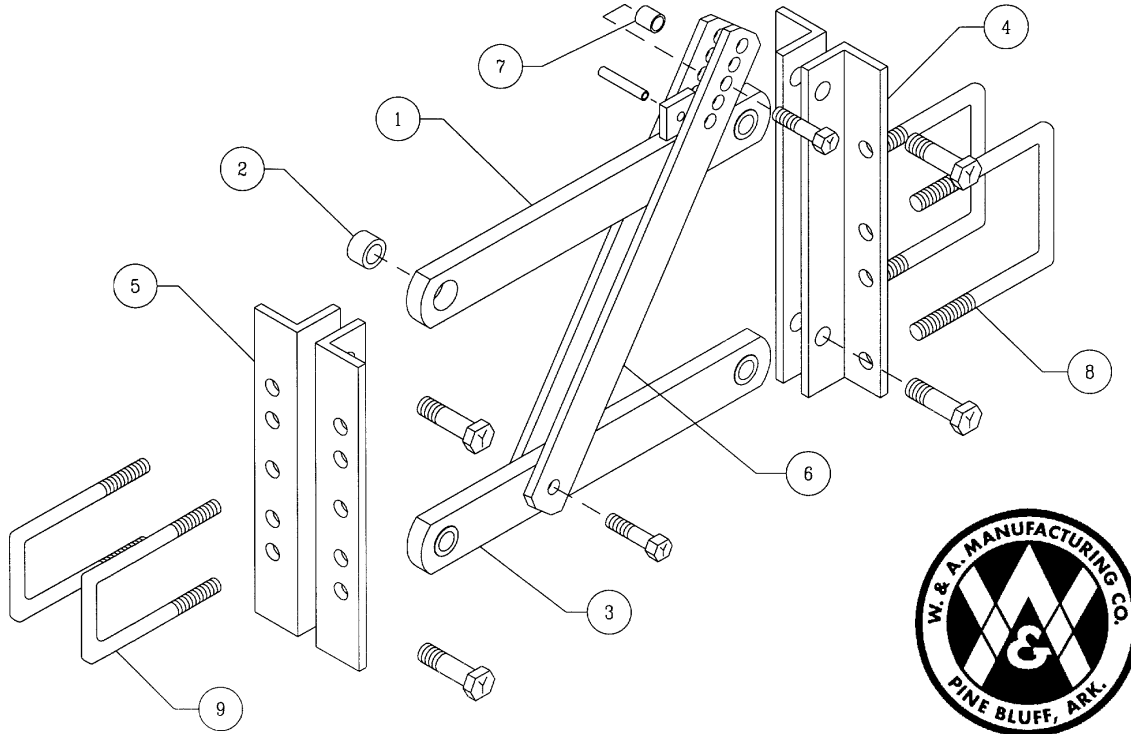
**HEAVY DUTY CAST BEAM  
1-1/8" SQ. AXLE DISK BEDDER**



No. 710124

<u>Item No.</u>	<u>Part No.</u>	<u>Wt. Lbs.</u>	<u>Description</u>	<u>Qty. Req'd. for One Row</u>
1	478004	35	Front Beam -- 4 x 7 Tool Bar .....	1
2	407012	8	Backing Clamp 4 x 7 Bar -- 3/4" .....	2
3	478005	42	Rear Beam -- 4 x 7 Tool Bar .....	1
4	411565	-	Hex Bolt -- 5/8" x 3-1/2" NC - Gr 5 - Zinc .....	8
-	412010	-	Hex Nut -- 5/8" - 11 - Gr 2 - Zinc .....	8
-	413510	-	Lock Washer -- 5/8" - Zinc .....	8
5	478100	5	1-1/8" Sq. x 12-3/8" Axle (Bedder) .....	2
6	478020	5	6" Concave Disk Washer -- 1-1/8" Axle DB .....	2
7	473018	12	18" x 9 Ga Plain Blade -- 1-1/8" Sq Ctr Hole .....	2
-	473020	15	20" x 9 Ga Plain Blade -- 1-1/8" Sq Ctr Hole .....	
8	201492	4	Convex Bearing Spacer -- 1-1/8" Axle DB .....	2
9	481202	1	Sealed Bearing - Bedder - 1-1/8" .....	4
10	200881	1/2	Bearing Spacer -- 1-1/8" Axle Bedder .....	2
11	201306	10 1/4	Bearing Housing -- 1-1/8" Axle Bedder .....	2
-	710004	13 1/2	Bearing Housing with Bearings .....	
12	201493	4	Concave Bearing Spacer -- 1-1/8" Axle DB .....	2
13	473016	8	16" x 9 Gauge Disk Blade .....	2
14	201494	4	Concave Axle Washer -- 1-1/8" Axle Bedder .....	2
15	413518	-	Lock Washer -- 1-1/8" - Zinc .....	2
16	412318	-	Square Nut -- 1-1/8" - 7 - Gr 2 - Zinc .....	2
17	411220	-	Hex Bolt -- 5/8" x 3-1/2" NC - Gr 2 - Zinc .....	4
-	412010	-	Hex Nut -- 5/8" - 11 - Gr 2 - Zinc .....	4
-	413510	-	Lock Washer -- 5/8" - Zinc .....	4
N/I	710035	4 1/2	Scraper (Pair) .....	1

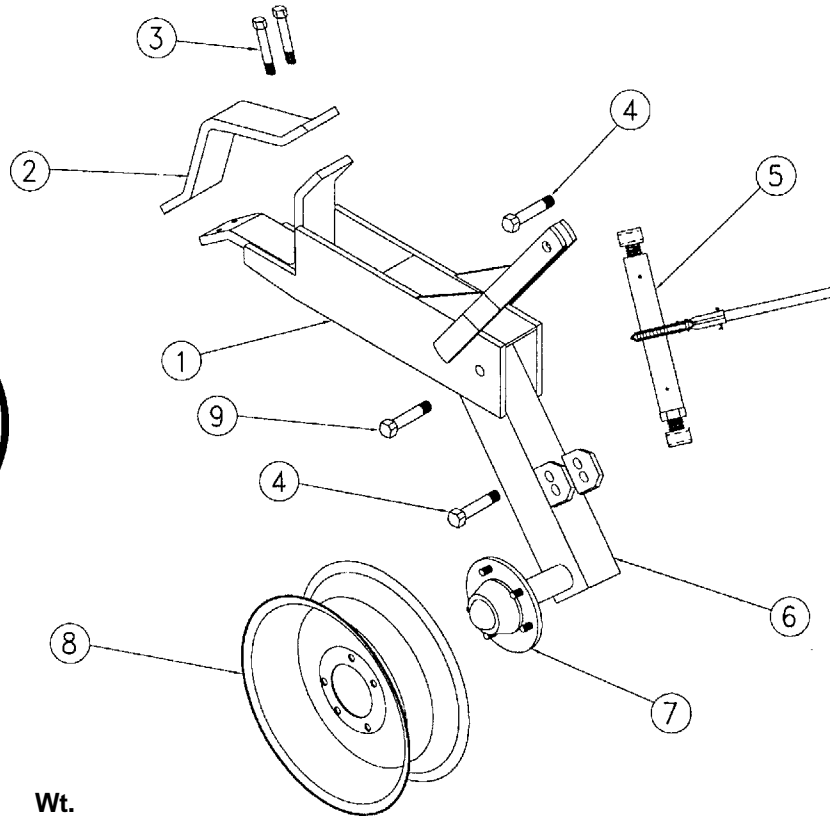
# PARALLEL BRACKET



<u>Item No.</u>	<u>Part No.</u>	<u>Wt. Lbs.</u>	<u>Description</u>	<u>Qty. Req'd. for One Brkt.</u>
1	302253		Top Stop Arm .....	1
-	4161131	-	Roll Pin -- 1/2" x 2-1/2" .....	1
2	204578	1/2	Arm Bushing -- 1-5/8" OD x 1-1/16" Long .....	4
-	411642	1	Hex Bolt -- 1" x 3-1/2" NC - Gr. 5 - Zinc .....	4
-	412016	1/4	Hex Nut -- 1" - 8 - Gr. 2 - Zinc .....	4
-	413516	-	Lock Washer -- 1" - Zinc .....	4
3	204571		Bottom Arm .....	1
4	204573		Front Angle - RH .....	1
-	204574		Front Angle - LH .....	1
5	204575		Rear Angle .....	2
6	204576		Stop Arm .....	2
7	204577	-	Stop Arm Spacer .....	1
-	411589		Hex Bolt -- 3/4" x 3" NC - Gr. 5 - Zinc .....	2
-	412012		Hex Nut -- 3/4" - 10 - Gr. 2 - Zinc. ....	2
-	413512		Lock Washer -- 3/4" - Zinc .....	2
8	415021		7/8" Sq. U-Bolt x 7" x 9" Leg .....	2
-	412014	1/4	Hex Nut -- 7/8" - 9 - Gr. 2 - Zinc .....	4
-	413014	-	Lock Washer -- 7/8" - Zinc .....	4
9	415006	3	3/4" Sq. U-Bolt x 4" x 8-1/2" Leg .....	2
-	412012	-	Hex Nut -- 3/4" - 10 - Gr. 2 - Zinc .....	4
-	413512	-	Lock Washer -- 3/4" - Zinc .....	4

# 3856 - 3858 - 3860 - Rigid Chopper Bedder

## RATCHET ADJ. GAUGE WHEELS



No. 1338  
& 1339

Item No.	Part No.	Wt. Lbs.	Description	Qty. Req. for 1 Assembly
1	302225	60	Holder .....	1
2	203770	10	Backing Clamp for 7" x 7" Bar .....	1
3	411591	½	Hex Bolt -- 3/4" x 4" NC - Gr 5 - Zinc .....	4
-	412012	-	Hex Nut -- 3/4" - 10 - Gr 2 - Zinc .....	6
-	413512	-	Lock Washer -- 3/4" - Zinc .....	6
4	411591	½	Hex Bolt -- 3/4" x 4" NC - Gr 5 - Zinc .....	2
5	302025	11½	Ratchet Crank Assembly .....	1
6	302226	34¾	RH Leg w/Hub -- #1338 Gauge Wheel (Shown) .....	1
-	302227	34¾	LH Leg w/Hub -- #1338 Gauge Wheel .....	1
7	491119	11	5 Hole Hub Complete - Q-719 .....	1
-	491007	9¾	Hub w/Cups Only - Q-719 .....	1
-	481205	¼	Cone - Q719 - LM67048 .....	1
-	496010	-	Outer Cup - Q719 - LM67010 .....	1
-	481204	¼	Cone - Q719 - LM48548 .....	1
-	496011	-	Inner Cup - Q719 - LM48510 .....	1
-	497010	-	Grease Seal - Q719 - CR 15190 .....	1
-	490006	¼	Hub Cap - Q719 .....	1
-	490015	-	1/2" NF Lug Nut .....	5
-	490017	-	Drive-In Hub Bolt - Q719 .....	5
-	412164	-	Slotted Nut -- 7/8" - 14 Spindle .....	1
-	490034	-	Spindle Washer -- 7/8" - Q719 .....	1
8	493007	17	15" x 5" x 5 Hole Wheel .....	1
9	411594	¾	Hex Bolt -- 3/4" x 5" NC - Gr 5 - Zinc .....	1
-	412012	-	Hex Nut -- 3/4" - 10 - Gr 2 - Zinc .....	1
-	413512	-	Lock Washer -- 3/4" - Zinc .....	1