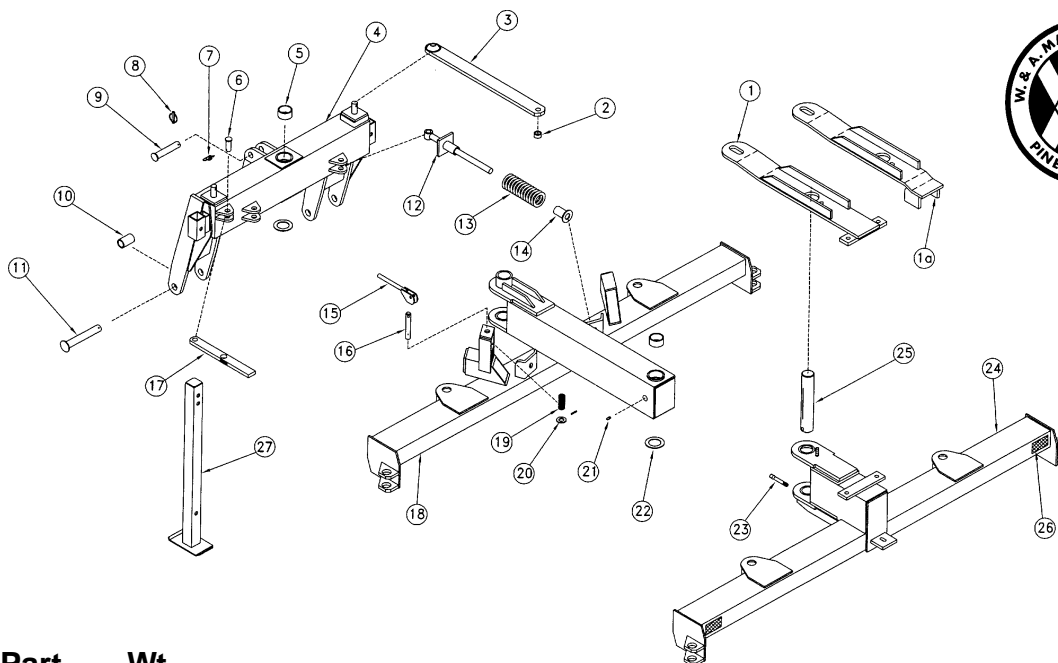


LEVEE PLOW STANDARD DOUBLE

Model No. 848 -- 16 Blade

0848 - 16 Blade Levee Plow

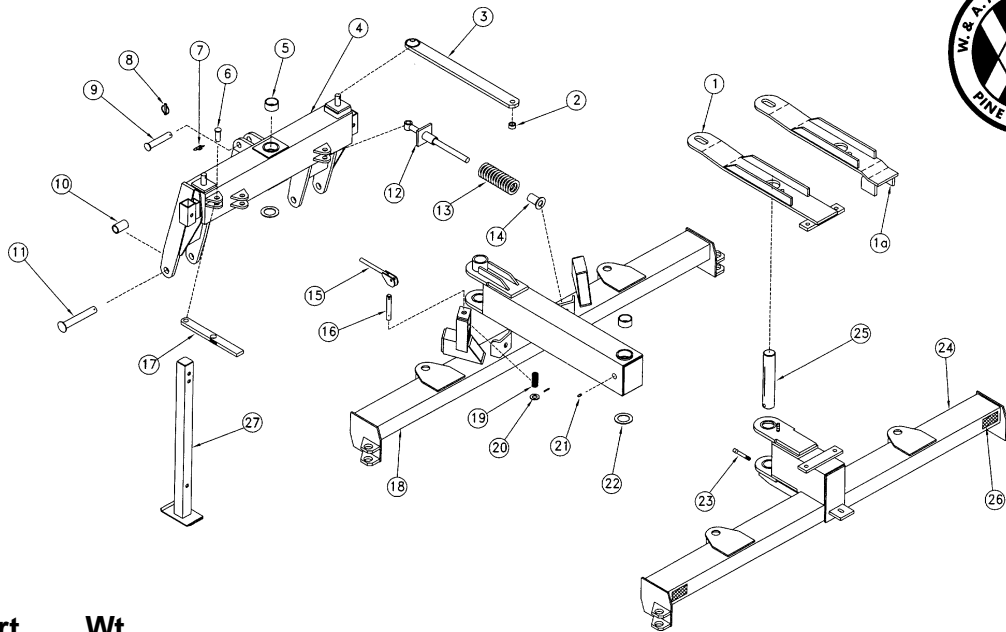
MAIN FRAME ASSEMBLY



| <u>Item No.</u> | <u>Part No.</u> | <u>Wt. Lbs.</u> | <u>Description</u> | <u>Qty. Req'd for 1 Machine</u> |
|-----------------|-----------------|-----------------|---|---------------------------------|
| 1 | 800906 | 47½ | Rear Turning Arm.....(2014 & Later)..... | 1 |
| - | 411586 | ¼ | Hex Bolt -- 3/4" x 2½" NC - Gr 5 - Zinc | 2 |
| - | 410009 | - | Lock Nut -- 5/8" - Gr 2 - Zinc | 1 |
| - | 412012 | - | Hex Nut -- 3/4" NC - 10 - Gr 2 - Zinc | 2 |
| - | 413010 | - | Flat Washer -- 5/8" - Zinc | 1 |
| - | 413512 | - | Lock Washer -- 3/4" - Zinc..... | 2 |
| 1a | 800904 | 50 | Rear Turning Arm - Parts Only - 2013 & Earlier (TLP) | - |
| 2 | 805087 | - | Bushing – Stabilizer (TLP)..... | 1 |
| 3 | 800912 | 20¼ | Stabilizer Bar (TLP) | 2 |
| - | 411642 | 1 | Hex Bolt -- 1" x 3-1/2" NC - Gr 5 - Zinc | 1 |
| - | 410016 | - | Lock Nut -- 1" NC - Top Lock - Zinc | 1 |
| - | 416207 | - | Klik Pin -- 7/16" - Zinc | 2 |
| 4 | 800902 | 315 | Three Point Swivel Hitch (TLP)..... | 1 |
| - | 805085 | 19 | Pivot Pin -- 2½" x 14-1/8" w/Groove (TLP)..... (See Key 25) | 1 |
| - | 461123 | - | Warning Decal -- Operator's Manual | 1 |
| - | 461138 | - | Danger Decal -- Crushing Hazard..... | 1 |
| 5 | 401134 | - | Hard Bushing -- 2½" Double Levee Plow | 4 |
| 6 | 416659 | ½ | Clevis Pin -- 1" x 2-21/32" - Zinc.....(Used with #17) | 1 |
| 7 | 416309 | - | Rue Ring Cotter Pin -- 1" - Zinc.....(Used with #17) | 1 |

0848 - 16 Blade Levee Plow

MAIN FRAME ASSEMBLY (Continued)

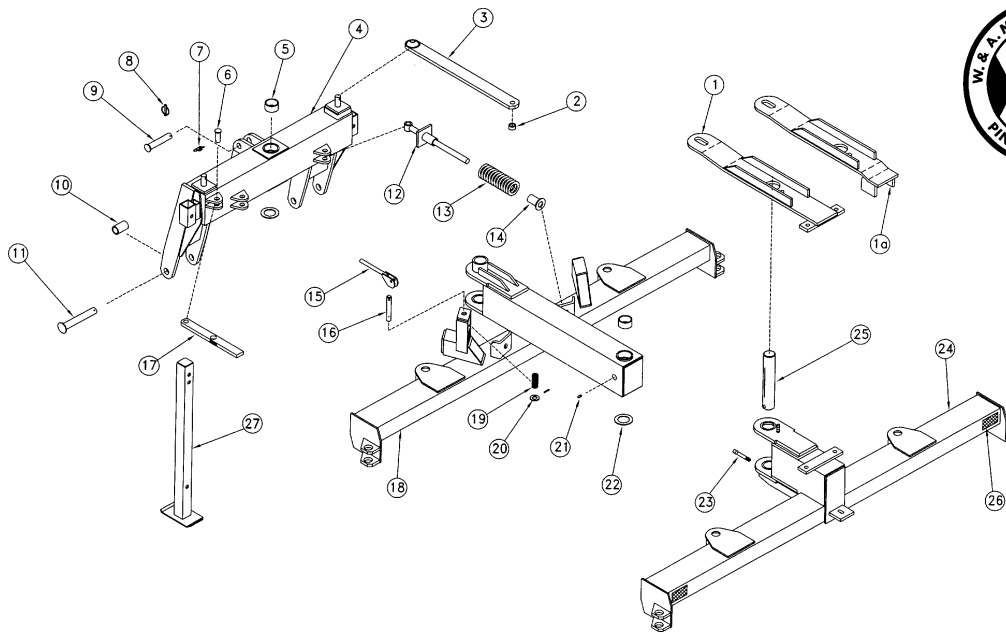


| Item No. | Part No. | Wt. Lbs. | Description | Qty. Req'd for 1 Machine |
|----------|----------|----------|--|--------------------------|
| 8 | 416207 | - | Klik Pin -- 7/16" - Zinc(Used with #9) | 1 |
| 9 | 416698 | 2 | 1 1/4" Top Link Pin - Zinc | 1 |
| 10 | 805086 | - | Spacer (TLP) | 2 |
| 11 | 300841 | 4 | Hitch Pin -- 1-7/16" x 9" | 2 |
| - | 416207 | - | Klik Pin -- 7/16" - Zinc | 2 |
| 12 | 800942 | 7 | Spring Rod (TLP).....(Hitch to Front Bar) | 2 |
| - | 416662 | 3/4 | Clevis Pin -- 1" x 3 1/2" - Zinc | 2 |
| - | 416309 | - | Rue Ring Cotter Pin -- 1" - Zinc | 2 |
| 13 | 471095 | 7 1/2 | Compression Spring -- 5/8" x 10 1/4" | 2 |
| 14 | 800943 | - | Locator for Spring (TLP) | 2 |
| 15 | 800913 | 2 | Transport Lock Handle (TLP) | 1 |
| - | 411547 | - | Hex Bolt -- 1/2" x 2" NC - Gr 5 - Zinc | 1 |
| - | 410008 | - | Lock Nut -- 1/2" NC - Zinc | 1 |
| - | 413016 | - | Flat Washer -- 1" - Zinc | 1 |
| - | 461100 | - | Decal -- Travel / Plow | 2 |
| 16 | 805084 | 1 1/4 | Transport Lock Pin -- 1" (TLP) | 1 |
| - | 411184 | - | Hex Bolt -- 1/2" x 2" NC - Gr 5 - Zinc | 1 |
| - | 410008 | - | Lock Nut -- 1/2" NC - Zinc | 1 |
| 17 | 800914 | 7 | Transport Bar (TLP) | 1 |

0848 - 16 Blade Levee Plow

MAIN FRAME ASSEMBLY

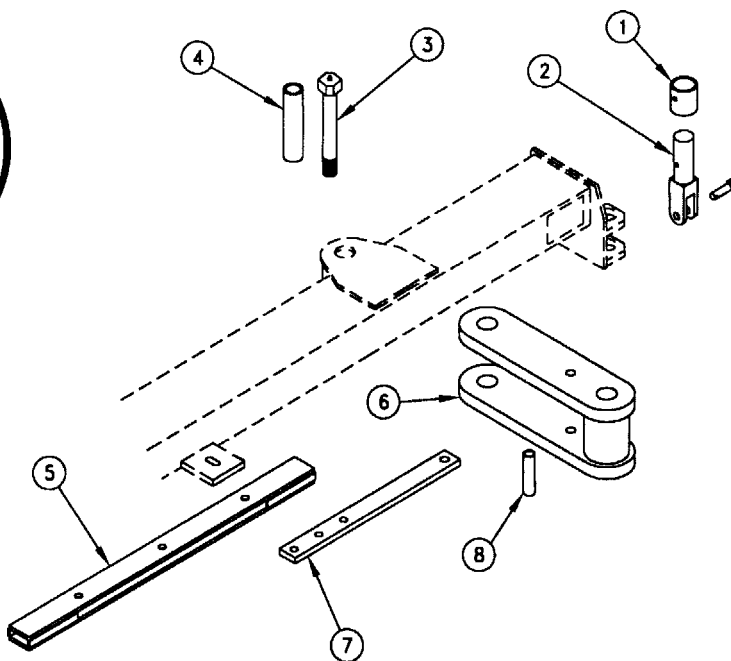
(Continued)



| <u>Item No.</u> | <u>Part No.</u> | <u>Wt. Lbs.</u> | <u>Description</u> | <u>Qty. Req'd for 1 Machine</u> |
|-----------------|-----------------|-----------------|--|---------------------------------|
| 18 | 800947 | 586 | Front Tool Bar | 1 |
| 19 | 471085 | ¼ | Compression Spring -- 3/16" x 1-1/16" x 3 1/2" | 1 |
| 20 | 413115 | - | Machine Washer -- 1 1/2" OD x 1" ID x 14 Ga | 1 |
| - | 416003 | - | Cotter Pin -- 5/32" x 1 3/4" | 1 |
| 21 | 450004 | - | 1/4" Drive-in Grease Fitting | 1 |
| 22 | 413132 | - | Machine Washer -- 3-7/8" OD x 2 1/2" ID x 10 Ga | 2 |
| 23 | 411566 | ¼ | Hex Bolt -- 5/8" x 4" NC - Gr. 5 - Zinc | 2 |
| - | 413510 | - | Lock Washer -- 5/8" - Zinc | 2 |
| - | 412010 | - | Hex Nut -- 5/8" - 11 - Gr 2 - Zinc | 2 |
| 24 | 800948 | 468 | Rear Tool Bar | 1 |
| 25 | 805085 | 19 | Pivot Pin -- 2-1/2" x 14-1/8" w/Groove (TLP).....(same pin - front & rear) | 2 |
| 26 | 461201 | - | Decal -- Red Reflector - 4 1/2" x 2" | 2 |
| - | 461200 | - | Decal -- Amber Reflector - 4 1/2" x 2".....(front of Front Bar) | 2 |
| 27 | 800903 | 20 1/2 | Parking Stand - Double Levee Plow | 2 |
| N/I | 416230 | ¾ | 3/4" Safety Lock Pin x 5 1/2" OAL - Zinc | 2 |

0848 - 16 Blade Levee Plow

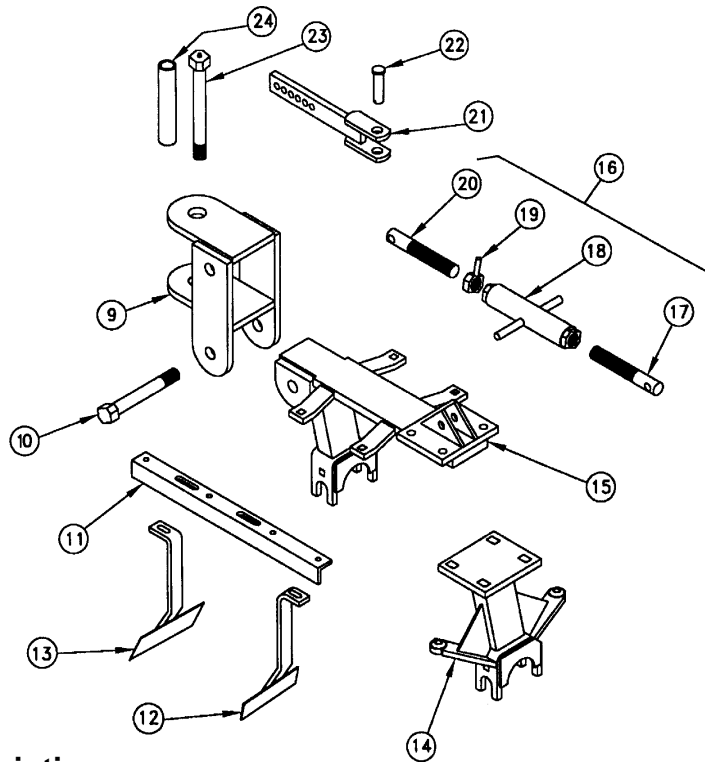
MAIN FRAME PARTS



| Item No. | Part No. | Wt. Lbs. | Description | Qty. Req'd for 1 Machine |
|----------|----------|----------|---|--------------------------|
| 1 | 802306 | ½ | Bushing - Levee Plow | 4 |
| - | 411150 | - | Hex Bolt -- 3/8" x 3" NC - Gr. 2 - Zinc | 4 |
| - | 413506 | - | Lock Washer -- 3/8" - Zinc | 4 |
| - | 412006 | - | Hex Nut -- 3/8" - 16 - Gr 2 - Zinc | 4 |
| 2 | 800192 | 6 | Draft Angle Swivel - Levee Plow | 4 |
| - | 416630 | ¼ | Clevis Pin -- 5/8" x 2¼" - Zinc | 4 |
| - | 416306 | - | Rue Ring Cotter Pin -- 5/8" - Zinc | 4 |
| 3 | 802371 | 3 | Drilled Bolt -- 1¼" x 9" w/Grease Fitting | 4 |
| - | 413020 | - | Flat Washer -- 1¼" - Zinc | 8 |
| - | 412120 | ½ | Slotted Nut -- 1¼" - 7 - Gr. 2 - Reg. - Zinc | 4 |
| - | 416005 | - | Cotter Pin - 1/4" x 2" - Zinc | 4 |
| - | 450004 | - | 1/4" Drive-In Grease Fitting | 4 |
| 4 | 802303 | 2½ | Pivot Support Bushing x 7¼" - Levee Plow.....(1¾" OD) | 4 |
| 5 | 800187 | 21 | Slide Bar Housing - Levee Plow | 2 |
| - | 416630 | ¼ | Clevis Pin -- 5/8" x 2¼" - Zinc | 6 |
| - | 416306 | - | Rue Ring Cotter Pin -- 5/8" - Zinc | 6 |
| 6 | 800409 | 65 | Pivot Bracket Support -- 4" x 7" Bar - Levee Plow | 4 |
| 7 | 802302 | 6 | Slide Bar - 8 Blade Levee Plow | 4 |
| 8 | 805224 | ½ | Spacer -- 3/4" Pipe x 2-1/16" - Double Levee Plow | 8 |
| - | 411601 | 1 | Hex Bolt -- 3/4" x 8½" NC - Gr. 5 - Zinc | 4 |
| - | 413512 | - | Lock Washer -- 3/4" - Zinc | 4 |
| - | 412012 | - | Hex Nut -- 3/4" - 10 - Gr 2 - Zinc | 4 |

0848 - 16 Blade Levee Plow

GANG FRAMES

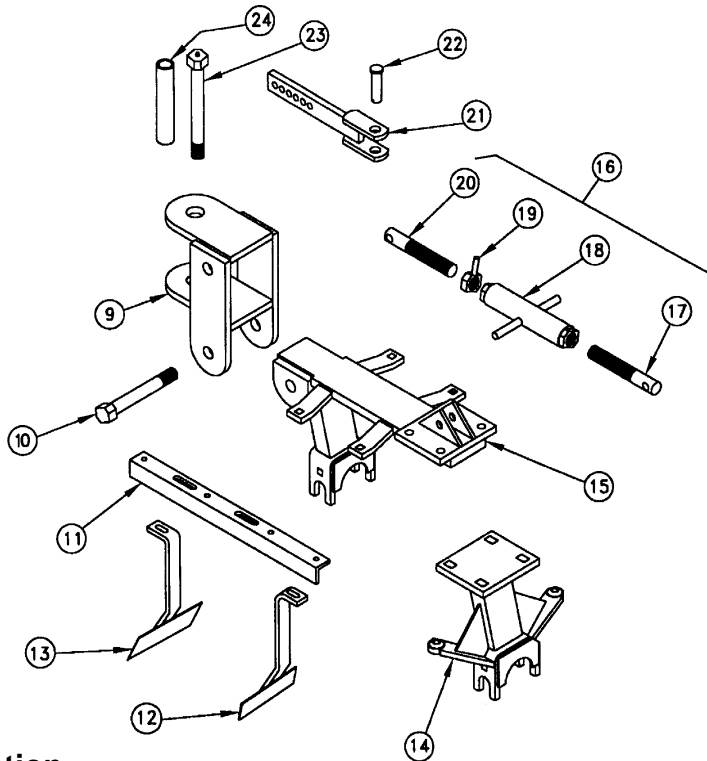


| Item No. | Part No. | Wt. Lbs. | Description | Qty. Req'd for 1 Gang |
|----------|----------|----------|--|-----------------------|
| 9 | 800408 | 56 | Pivot Bracket -- 4" x 7" Bar - Levee Plow | 1 |
| 10 | 802562 | 3 | Hex Bolt -- 1 1/4" x 9" w/Cotter Pin Hole | 1 |
| - | 413020 | - | Flat Washer -- 1 1/4" - Zinc | 2 |
| - | 412120 | 1/2 | Slotted Nut -- 1 1/4" - 7 - Gr 2 - Reg - Zinc | 1 |
| - | 416005 | - | Cotter Pin -- 1/4" x 2" - Zinc | 1 |
| 11 | 802309 | 11 | Scraper Bar -- RH - 8 Blade Levee Plow | 1 |
| - | 802363 | 11 | Scraper Bar -- LH - 8 Blade Levee Plow | 1 |
| - | 411790 | 1/4 | Carriage Bolt -- 5/8" x 2" NC - Gr 5 - Zinc | 2 |
| - | 413510 | - | Lock Washer -- 5/8" - Zinc | 2 |
| - | 412010 | - | Hex Nut -- 5/8" - 11 - Gr 2 - Zinc | 2 |
| 12 | 800202 | 4 1/2 | Levee Plow Scraper - RH | 3 |
| - | 800203 | 4 1/2 | Levee Plow Scraper - LH | 3 |
| - | 411785 | - | Carriage Bolt -- 1/2" x 1 1/2" NC - Gr. 5 - Zinc | 3 |
| - | 413508 | - | Lock Washer -- 1/2" - Zinc | 3 |
| - | 412008 | - | Hex Nut -- 1/2" - 13 - Gr 2 - Zinc | 3 |
| 13 | 800200 | 4 1/2 | End Scraper - RH - Levee Plow | 1 |
| - | 800201 | 4 1/2 | End Scraper - LH - Levee Plow | 1 |
| - | 411785 | - | Carriage Bolt -- 1/2" x 1 1/2" NC - Gr. 5 - Zinc | 1 |
| - | 413508 | - | Lock Washer -- 1/2" - Zinc | 1 |
| - | 412008 | - | Hex Nut -- 1/2" - 13 - Gr 2 - Zinc | 1 |
| 14 | 800198 | 37 | Bearing Riser - Levee Plow | 1 |
| - | 411794 | 1/2 | Carriage Bolt -- 3/4" x 3 1/2" NC - Gr. 5 - Zinc | 4 |
| - | 413512 | - | Lock Washer -- 3/4" - Zinc | 4 |
| - | 412012 | - | Hex Nut -- 3/4" - 10 - Gr 2 - Zinc | 4 |

0848 - 16 Blade Levee Plow

GANG FRAMES

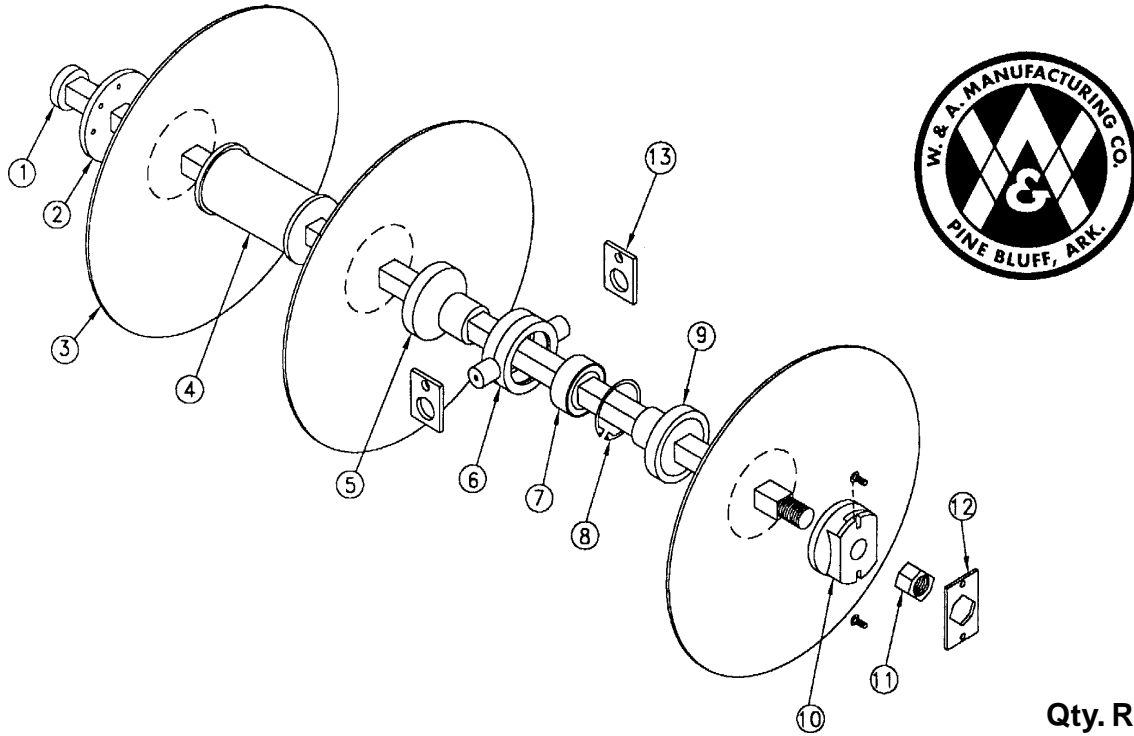
(Continued)



| Item No. | Part No. | Wt. Lbs. | Description | Qty. Req'd for 1 Gang |
|-----------------|-----------------|-----------------|---|------------------------------|
| 15 | 800197 | 78 | Gang Frame - 8 Blade Levee Plow | 1 |
| 16 | 505019 | 13½ | Turnbuckle Complete - 8 Blade Levee Plow | 1 |
| 17 | 802308 | 4 | Turnbuckle Stud – LH - 1-3/8" x 9" - Levee Plow | 1 |
| - | 416640 | ½ | Clevis Pin -- 3/4" x 3" - Zinc | 1 |
| - | 416309 | - | Rue Ring Cotter Pin -- 1" - Zinc | 1 |
| 18 | 800196 | 8½ | Turnbuckle Body - 11-1/2" - Levee Plow | 1 |
| - | 450004 | - | 1/4" Drive-In Grease Fitting | 2 |
| 19 | 800249 | ½ | Jam Nut -- 1-3/8" (Adj) - Levee Plow Turnbuckle | 1 |
| 20 | 802307 | 4 | Turnbuckle Stud - RH - 1-3/8" x 9" - Levee Plow | 1 |
| - | 416640 | ½ | Clevis Pin -- 3/4" x 3" - Zinc | 1 |
| - | 416309 | - | Rue Ring Cotter Pin -- 1" - Zinc | 1 |
| 21 | 800194 | 9 | Draft Angle - Levee Plow | 1 |
| 22 | 416662 | 1 | Clevis Pin -- 1" x 3½" - Zinc | 1 |
| - | 416309 | - | Rue Ring Cotter Pin -- 1" - Zinc | 1 |
| 23 | 802372 | 4½ | Drilled Bolt -- 1¼" x 11" w/Grease Fitting | 1 |
| - | 413020 | - | Flat Washer -- 1¼" - Zinc | 2 |
| - | 412120 | ½ | Slotted Nut -- 1¼" - 7 - Gr. 2 - Reg. - Zinc | 1 |
| - | 416005 | - | Cotter Pin - 1/4" x 2" - Zinc | 1 |
| - | 450004 | - | 1/4" Drive-In Grease Fitting | 1 |
| 24 | 802304 | 3 | Pivot Bracket Bushing x 9" - Levee Plow.....(1-3/4" OD) | 1 |

0848 - 16 Blade Levee Plow

GANG PARTS



| <u>Item No.</u> | <u>Part No.</u> | <u>Wt. Lbs.</u> | <u>Description</u> | <u>Qty. Req'd for 1 Gang</u> |
|-----------------|-----------------|-----------------|---|------------------------------|
| 1 | 478114 | 21 | 1½" Sq. x 31¼" NF Axle w/Nut - 8 Blade Levee Plow | 1 |
| 2 | 802384 | 7 | Bumper Washer - Levee Plow | 1 |
| 3 | 473230 | 41½ | 24" x 5/16" RFC Plain Blade - 1½" Sq. Ctr. Hole | 4 |
| 4 | 800193 | 10½ | Spacer Spool -- 9" - Levee Plow | 1 |
| 5 | 802005 | 7 | Large End Bell - Levee Plow | 2 |
| 6 | 802006 | 7 | Bearing Housing - Levee Plow | 2 |
| - | 505001 | 9½ | Bearing & Housing Assembly - Levee Plow | 2 |
| 7 | 481213 | 2½ | Bearing - 1½" Sq. Bore - GW211PP3 | 2 |
| 8 | 483393 | - | Retaining Ring - LP & 1½" Axle Bedder | 2 |
| 9 | 802004 | 6 | Small End Bell - Levee Plow | 2 |
| 10 | 802256 | 6½ | End Gang Washer - Levee Plow | 1 |
| 11 | 412824 | 1 | Hex Nut -- 1½" - 12 - Gr. 5 - Zinc | 1 |
| 12 | 802340 | 1 | Lock Plate - Levee Plow | 1 |
| - | 411711 | - | Carriage Bolt -- 3/8" x 1" NC - Gr. 2 - Zinc | 2 |
| - | 413506 | - | Lock Washer -- 3/8" - Zinc | 2 |
| - | 412006 | - | Hex Nut -- 3/8" - 16 - Gr 2 - Zinc | 2 |
| 13 | 802044 | 1 | Trunion Housing Clamp - Levee Plow | 4 |
| - | 411790 | - | Carriage Bolt -- 5/8" x 2" NC - Gr 5 - Zinc | 4 |
| - | 412010 | - | Hex Nut -- 5/8" - 11 - Gr 2 - Zinc | 4 |
| - | 413510 | - | Lock Washer -- 5/8" - Zinc | 4 |