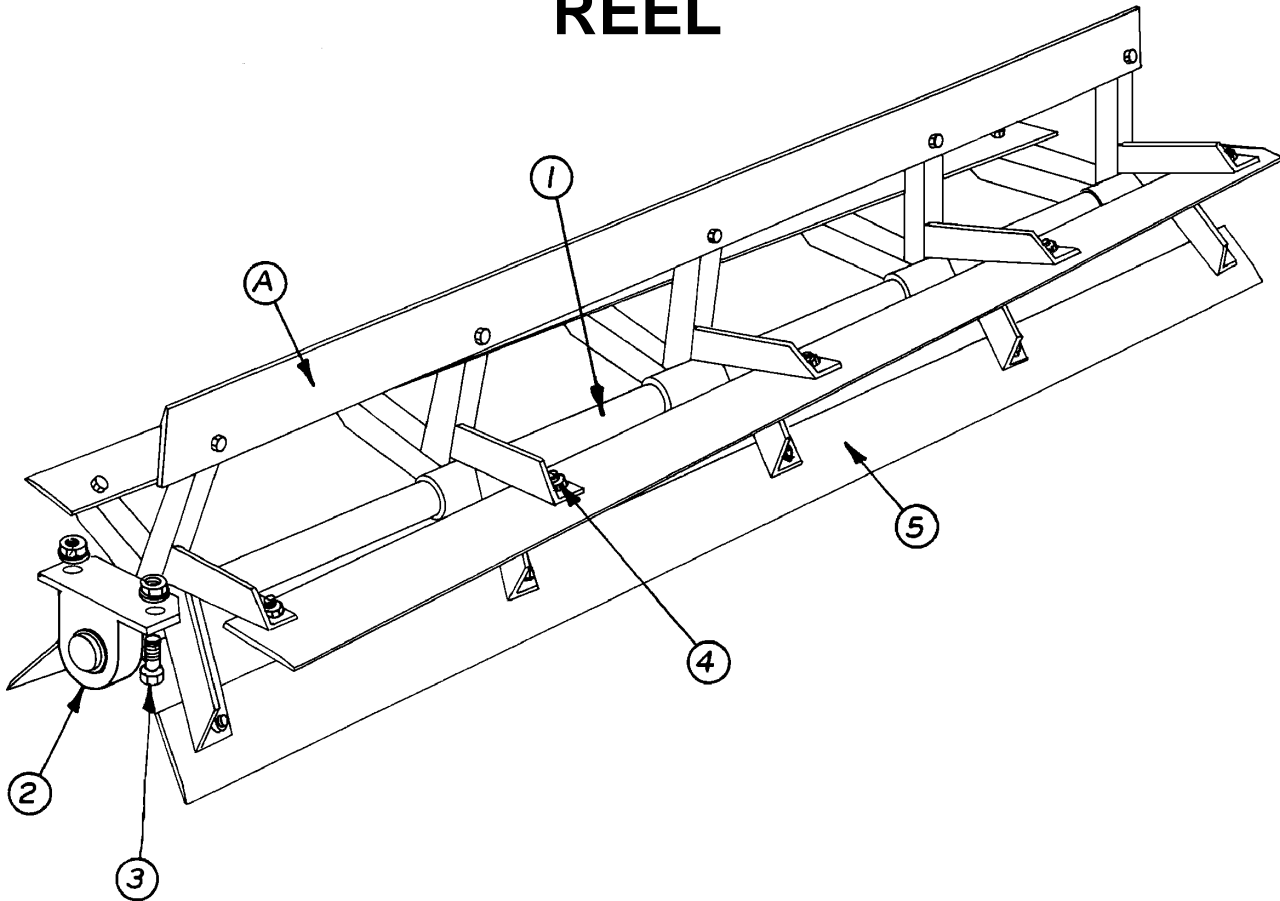


3 POINT RIGID PULVAMIZER

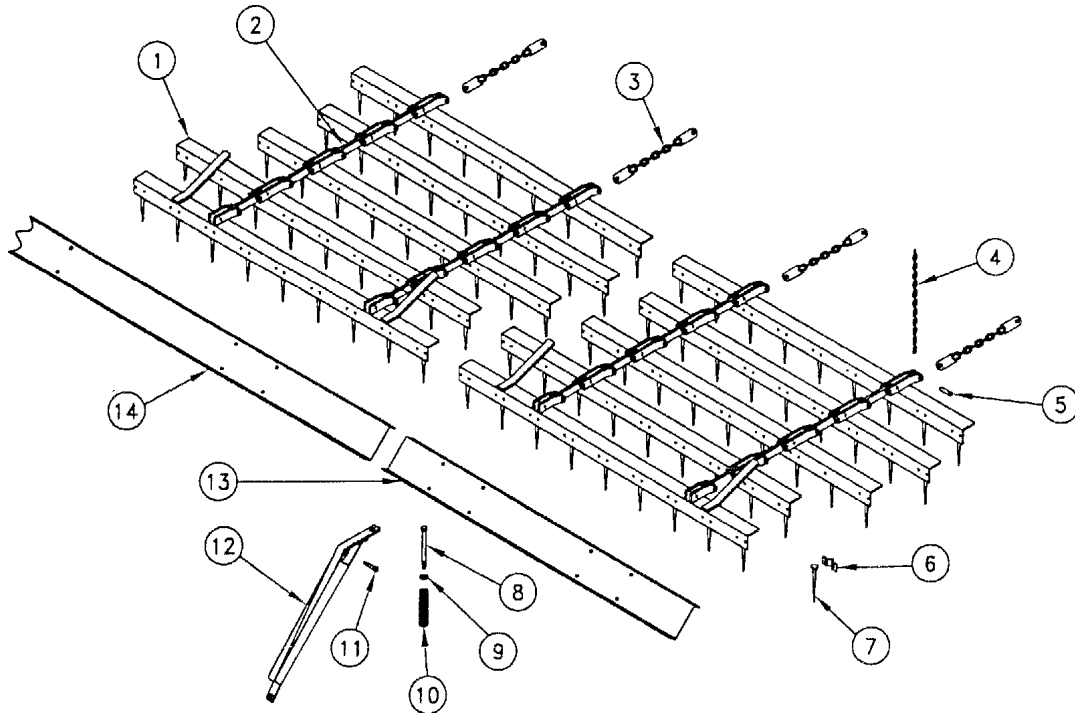
Model No. 3604 -- 4 Row

REEL



ITEM NO.	PART NO.	WT. LBS.	DESCRIPTION	QTY. REQ'D
A	770020	235	Spiral 6 ft Reel Complete w/Bearings	1
1	300451	116	Spiral 77" Reel Shaft w/5 support brackets	1
2	482101	4	1-15/16" Pillow Block & Bearing Complete	2
-	481215	1	1-15/16" Bearing w/Lock Collar.....#G1115-KRRB-S1115K	2
-	480006	3	Pillow Block for 1-15/16" Bearing	2
3	411562	¼	Hex Bolt -- 5/8" x 2½" NC - Gr 5 - Zinc	4
-	410009	-	Lock Nut -- 5/8" NC - Gr 2 - Zinc	4
-	413010	-	Flat Washer -- 5/8" - Zinc.....	4
4	411211	¼	Hex Bolt -- 5/8" x 1¼" NC - Gr 2 - Zinc	25
-	410009	-	Lock Nut -- 5/8" NC - Gr 2 - Zinc	25
5	200539	20	Spiral Pulvamer Blade x 72"	5

HARROWS & DRAGBOARDS



<u>ITEM NO.</u>	<u>PART NO.</u>	<u>WT. LBS.</u>	<u>DESCRIPTION</u>	<u>QTY. REQ'D</u>
1	773018	250	Complete 6' Harrow Section for N3P	2
2	773012	2	Harrow Conn. Link w/Bushings - (7¾" Long)	16
-	401055	-	Spring Bushing for Harrow Pull Piece - 5/8" ID	-
3	300583	3¾	Pull Piece w/Bushings - N3P Harrow....(15 Link)	4
4	402015	1	High Test Chain -- 1/4" x 19 Link.....(Carburized)	8
-	416204	-	Klik Pin -- 1/4" - Zinc	8
5	416633	¼	Clevis Pin Knurled & Threaded -- 5/8" x 2¼" - Zinc	40
-	410009	-	Lock Nut -- 5/8" NC - Gr 2 - Zinc	40
6	200550	½	Harrow Tooth Bracket	90
-	411143	-	Hex Bolt -- 3/8" x 1¼" NC - Gr 2 - Zinc	180
7	472007	-	Harrow Tooth -- 5/8" x 7½"	90
8	411237	1	Hex Bolt -- 5/8" x 8" NC - Gr 2 - Zinc	3
-	410009	-	Lock Nut -- 5/8" NC - Gr 2 - Zinc	3
9	202350	-	Cup Washer for Spring	3
10	471006	1½	Compression Spring.....(1½" OD x 6½")	3
11	411551	¼	Hex Bolt -- 1/2" x 3" NC - Gr 5 - Zinc	3
-	410008	-	Lock Nut -- 1/2" NC - Zinc	3
12	300388	17	Dragboard Bracket (Pulv)	3
-	411729	-	Carriage Bolt -- 1/2" x 1¼" NC - Gr 2 - Zinc	6
-	412008	-	Hex Nut -- 1/2" - 13 - Gr 2 - Zinc	6
-	413508	-	Lock Washer -- 1/2" - Zinc	6
13	301491	71	13'0" Metal Dragboard	1