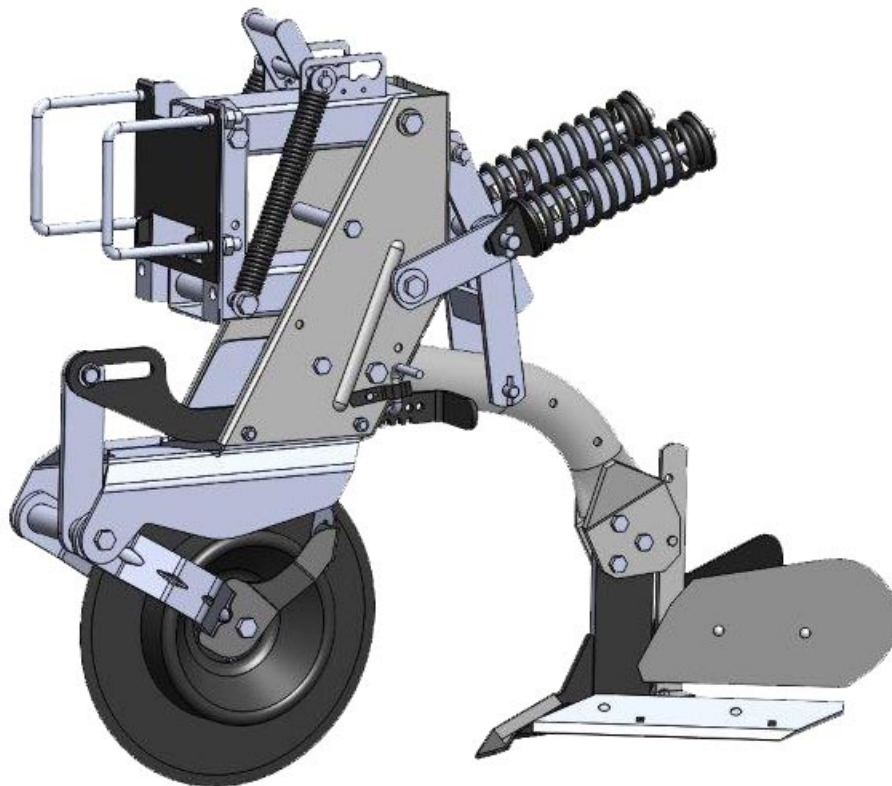


W & A

RIDGER/CULTIVATOR UNIT

No. H6040

PARTS MANUAL



Quality Products from

W & A MANUFACTURING COMPANY

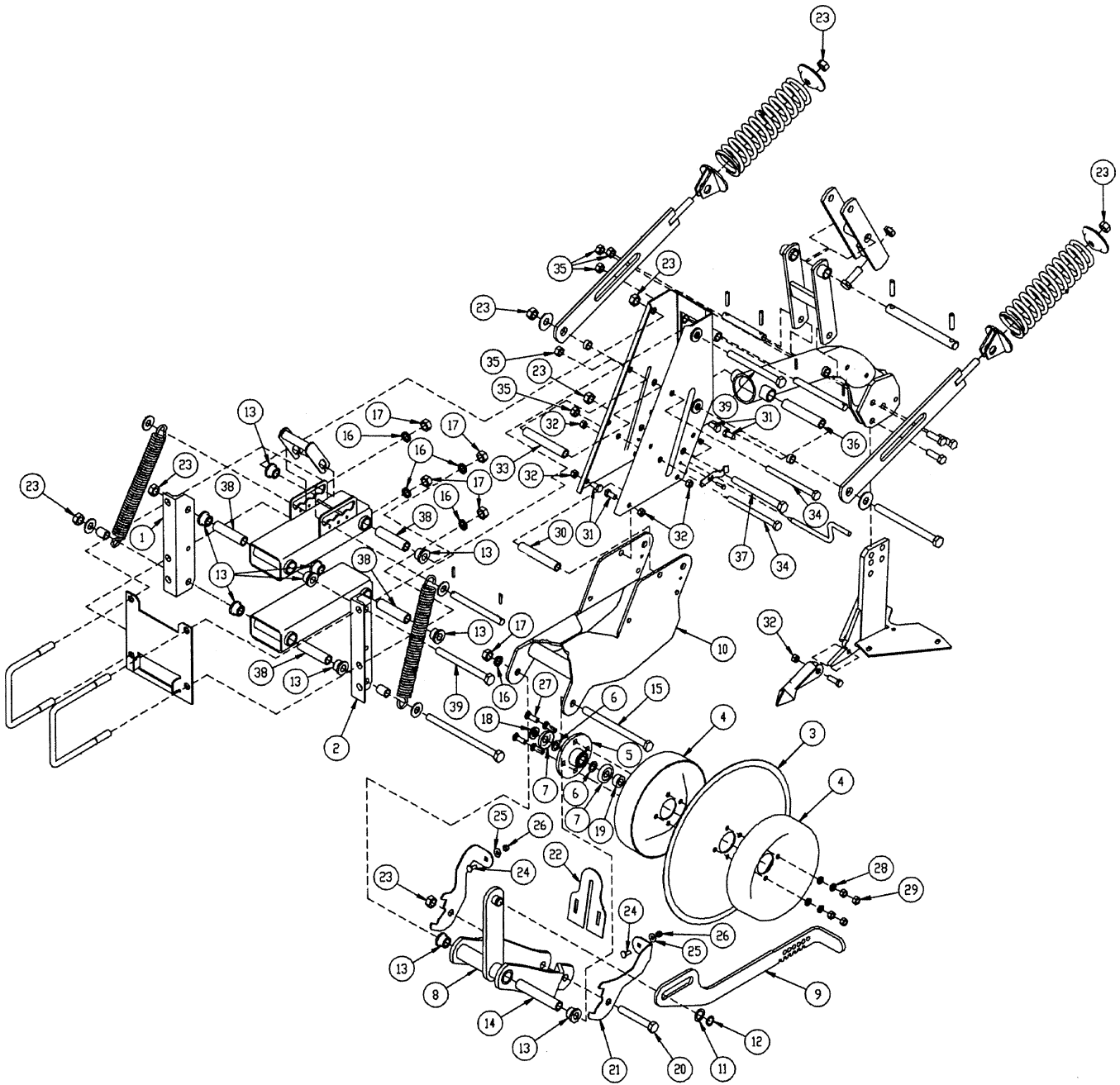
P.O. Box 5238, Pine Bluff, Arkansas 71611

Phone: (870) 534-7420

Fax: (800) 336-1318

Website: www.wamfgco.com

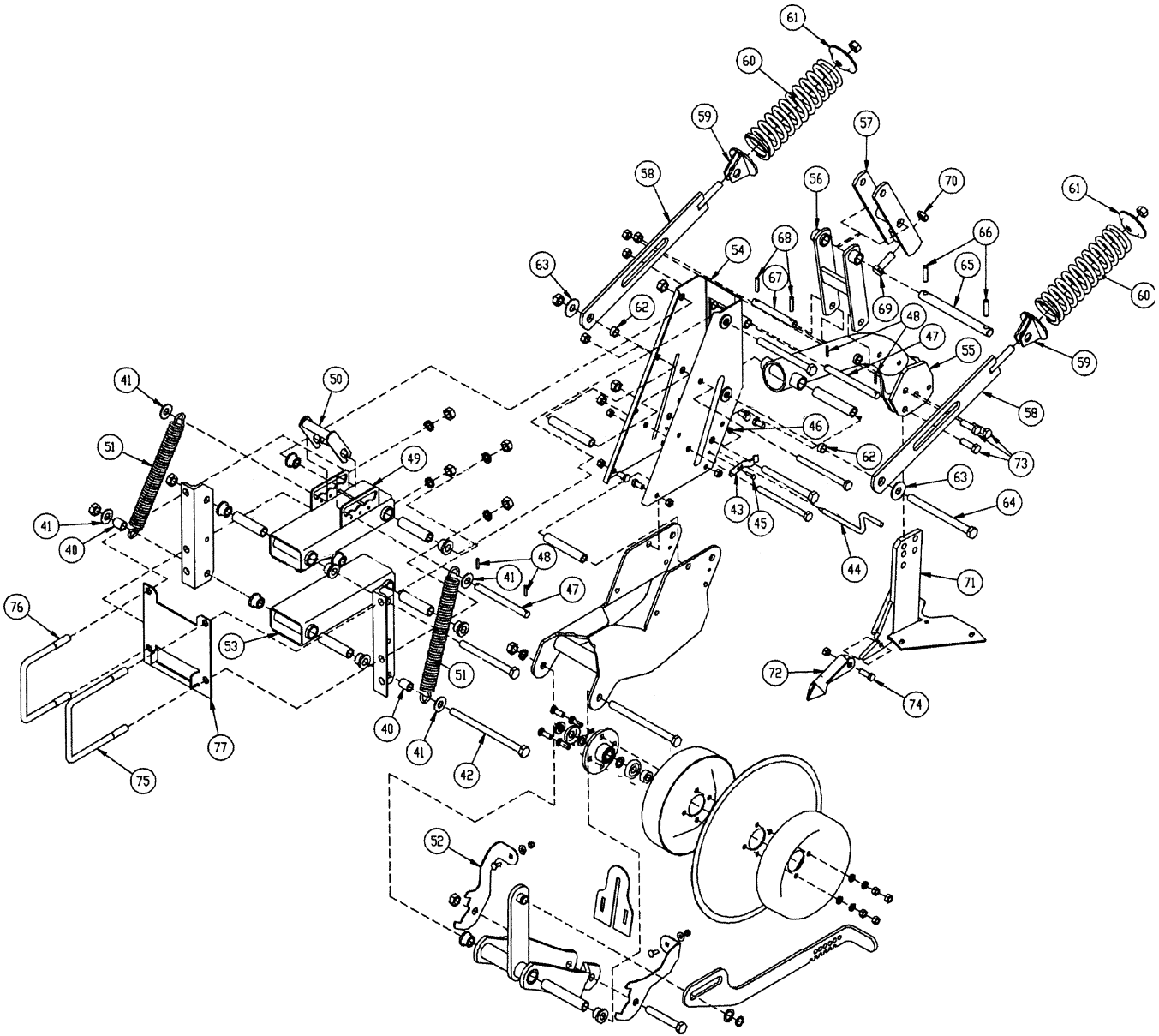
TILLAGE UNIT ASSEMBLY WITH SPRING TRIP SHANK & DEPTH BAND COULTER



TILLAGE UNIT ASSEMBLY

Item No.	Part No.	Description	Qty. Req'd
1	H81005573	RH Angle	1
2	H81005574	LH Angle	1
3	H81006643	20" Coultter -- 7 Ga. (.179 Thick)	1
4	H805001151	Depth Band	2
5	H81004407	Hub With Bearing Assembly	1
6	H952004003	Machine Bushing -- .765 ID x 1¼" OD x .075 Thick	2
7	H81004802	Dust Cap	2
8	H81006642	Arm Weldment	1
9	H81006641	Adjustment Strap	1
10	H81006640	Forward Frame Weldment	1
11	413115	Machine Washer -- 1½" OD x 1" ID x 14 Ga.	1
12	H81006519	External Retaining Ring -- 1" - Heavy Duty	1
13	H81004019	Flange Bearing	10
14	H81006639	Spacer Tube	1
15	411604	Hex Bolt -- ¾" x 10" NC - Gr. 5 - Zinc	1
16	413512	Lock Washer -- ¾" - Zinc	5
17	412012	Hex Nut -- ¾" - 10 - Gr. 2 - Zinc	5
18	H81006638	Hub Washer	1
19	H81006637	Hub Spacer	1
20	411594	Hex Bolt -- ¾" x 5" NC - Gr. 5 - Zinc	1
21	H81006635	LH Scraper Mount	1
22	H81006636	Scraper	1
23	410012	Lock Nut -- ¾" NC - Gr 2 - Zinc	8
24	411711	Carriage Bolt -- 3/8" x 1" NC - Gr. 2 - Zinc.....	2
25	413006	Flat Washer -- 3/8" - Zinc.....	2
26	410006	Lock Nut -- 3/8" NC - Zinc	2
27	411785	Carriage Bolt -- 1/2" x 1½" NC - Gr. 5 - Zinc	4
28	413508	Lock Washer -- 1/2" - Zinc	4
29	412008	Hex Nut -- 1/2" - 13 - Gr. 2 - Zinc	4
30	H81004031	Tube	1
31	411543	Hex Bolt -- 1/2" x 1" NC - Gr. 5 - Zinc	4
32	410008	Lock Nut -- 1/2" NC - Zinc	5
33	H81004028	Tube	1
34	H950001165	Hex Head Cap Screw -- 5/8" - 11 x 7½" - Gr. 5	2
35	410009	Lock Nut -- 5/8" NC - Gr 2 - Zinc	5
36	H81004067	Sleeve	1
37	H950001153	Hex Head Cap Screw -- 3/4" - 10 x 7½" - Gr. 5	1
38	H81004008	Inner Bushing	4
39	H950001229	Hex Head Cap Screw -- 3/4" - 10 x 8" - Gr. 5	2

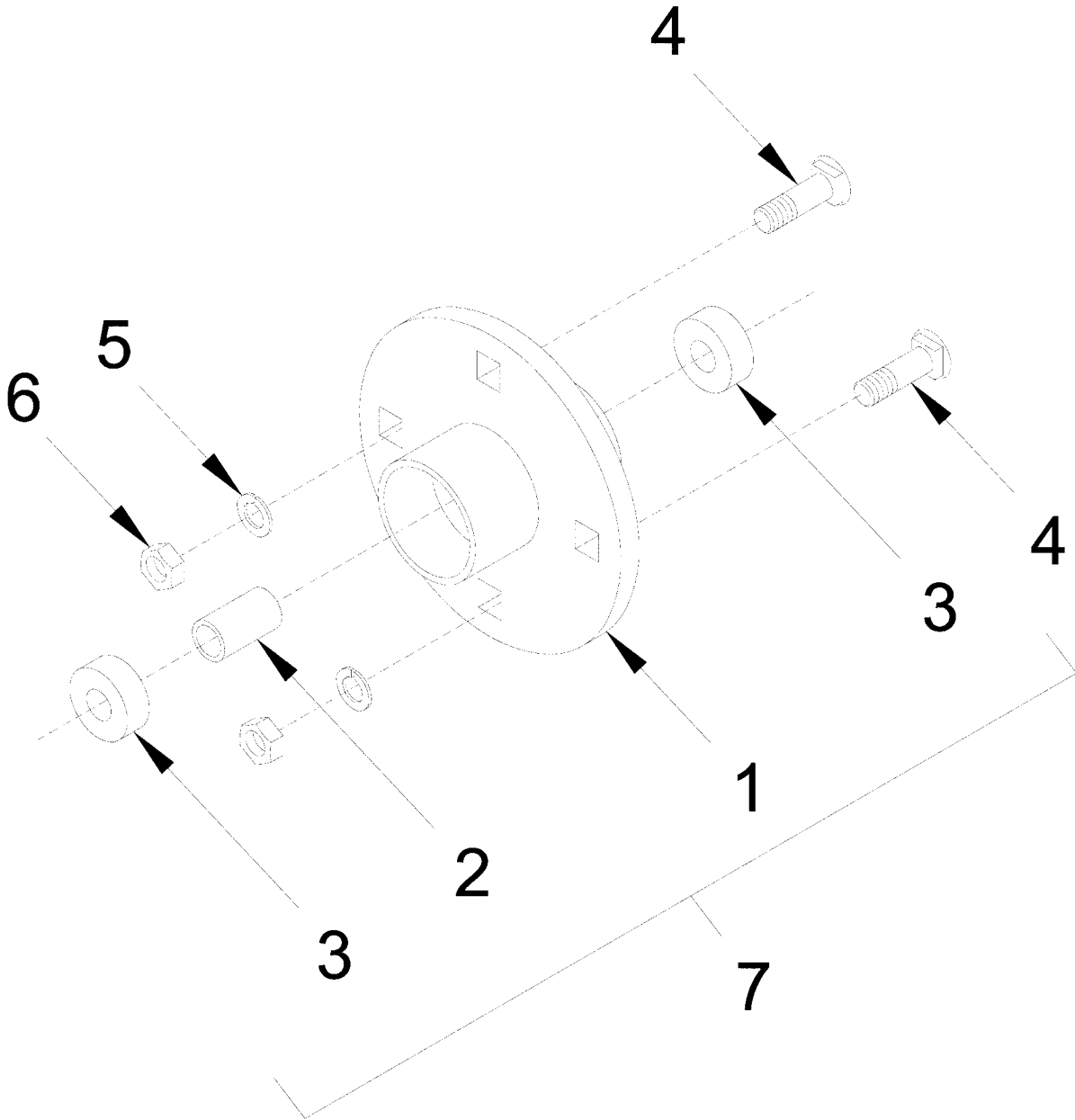
TILLAGE UNIT ASSEMBLY WITH SPRING TRIP SHANK & DEPTH BAND COULTER



TILLAGE UNIT ASSEMBLY

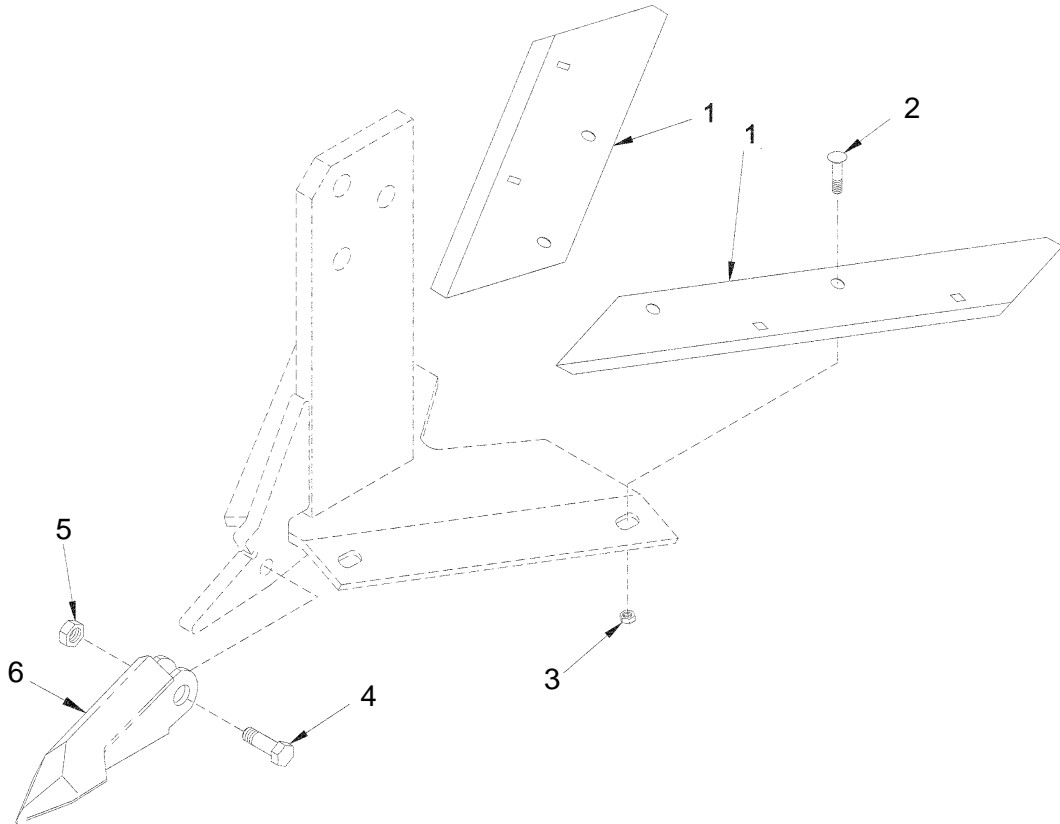
Item No.	Part No.	Description	Qty. Req'd
40	H81004005	Spacer	2
41	413072	Flat Washer -- 3/4" ASAE	4
42	H950001225	Hex Head Cap Screw -- 3/4" - 10 x 11" - Gr. 5	1
43	H81004112	Flat Spring	1
44	H81004093	Pin.....	1
45	H03106006	Hex Head Cap Screw -- 1/4" - 20 x 1" - Gr. 5	1
46	410004	Lock Nut -- 1/4" NC - Zinc	1
47	H25010376	Rod	2
48	H953003018	Spring Pin -- 1/4" x 1 1/4" Long	4
49	H81004018	Upper Link Weldment.....	1
50	H81004015	Handle Weldment	1
51	H81004003	Extension Spring.....	2
52	H81006634	RH Scraper Mount	1
53	H81004010	Lower Link Weldment.....	1
54	H81004435	Mast Weldment	1
55	H81004432	Shank Weldment.....	1
56	H81004075	Link Weldment	1
57	H81004072	Adjusting Link Weldment	1
58	H81004076	Strap Weldment.....	2
59	H81004082	Disc Plate Weldment.....	2
60	H81004098	Compression Spring	2
61	H81004090	Washer	2
62	H81004061	Bushing.....	2
63	413012	Flat Washer -- 3/4" - 10 - Gr 2 - Zinc	2
64	H950001264	Hex Head Cap Screw -- 3/4" - 10 x 9 1/2" - Gr. 5	1
65	H81004083	Pin.....	1
66	H953003019	Spring Pin	2
67	H81004070	Bottom Pin	1
68	H953003009	Spring Pin -- 3/8" x 1 3/4" Long	2
69	411586	Hex Bolt -- 3/4" x 2 1/2" NC - Gr. 5 - Zinc	1
70	412412	Jam Nut -- 3/4" - 10 - Gr. 2 - Zinc	1
71	H81004418	Sweep Support Weldment	1
72	H81004425	Point Weldment	1
73	411561	Hex Bolt -- 5/8" x 2" NC - Gr. 5 - Zinc	3
74	411545	Hex Bolt -- 1/2" x 1 1/2" NC - Gr. 5 - Zinc	1
75	415004	3/4" Sq. U-Bolt x 7" x 9" Leg.....	2
76	H875001035	3/4" U-Bolt (5 x 7 Tube)	2
77	H81005577	Support Plate	1

COULTER HUB ASSEMBLY 2 INCH WIDE SERIAL NO. ENDING 101 OR HIGHER



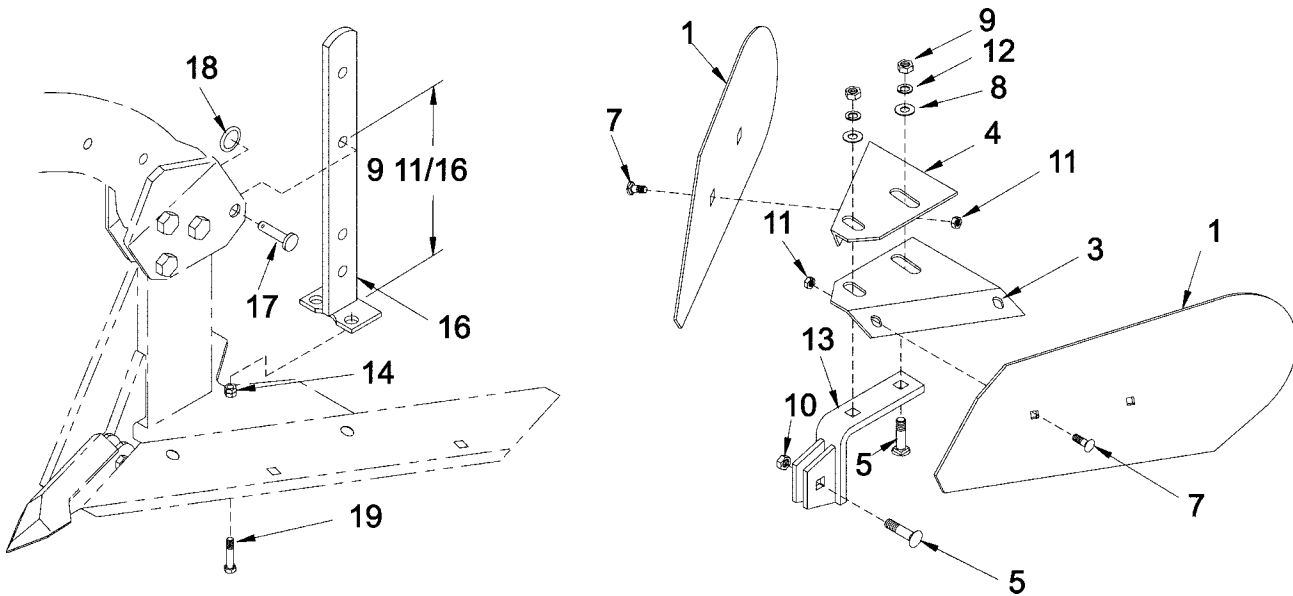
Item No.	Part No.	Description	Qty. Req'd
1	H81004410	4 Bolt Hub Weldment	1
2	H81004409	Spacer	1
3	H600-02009	Bearing -- 3/4"	2
4	--	Carriage Bolt -- 1/2" - 13 x 1 1/4"	4
5	--	Lock Washer -- 1/2"	4
6	--	Hex Nut -- 1/2" - 13	4
7	H81004407	Hub Assembly	1

SWEEP SHARES



<u>Item No.</u>	<u>Part No.</u>	<u>Description</u>	<u>Qty. Req'd</u>
1		Reversible Share (Blade)	
	474115	15 Inch Double Edge Share - Ridger/Cultivator (Each)	
	474117	17 Inch Double Edge Share - Ridger/Cultivator (Each)	
	474125	25 Inch Double Edge Share - Ridger/Cultivator (Each)	
2	411827	Plow Bolt -- 3/8" -16 x 1" NC - Gr 5 - #3 - Zinc.....	4
3	410106	Mac Lock Nut -- 3/8" - 16	4
4	--	Hex Head Cap Screw -- 1/2" -13 x 1 1/2" - Gr. 5	1
5	--	2-Way Lock Nut -- 1/2" - 13.....	1
6	H81004425	Point Weldment -- 7 1/4" Long	1

ADJUSTABLE RIDGERS



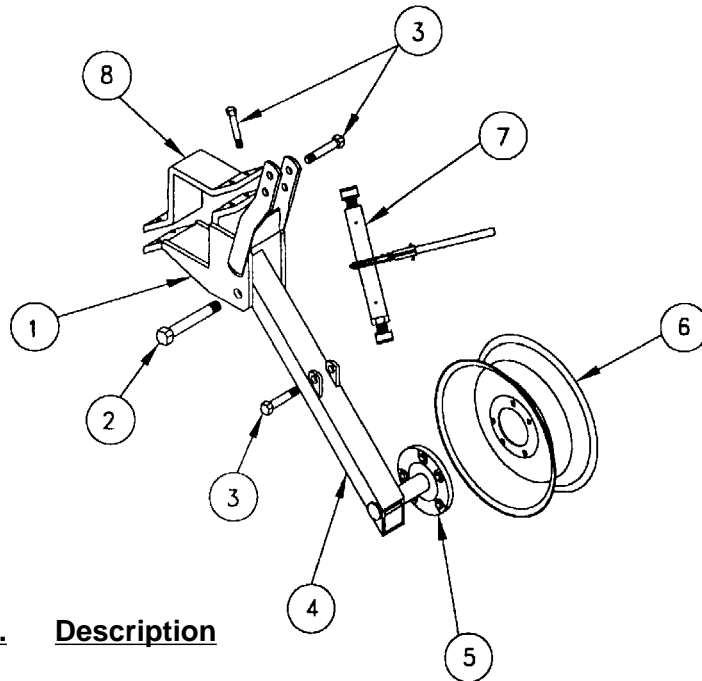
<u>Item No.</u>	<u>Part No.</u>	<u>Description</u>	<u>Qty. Req'd</u>
1	H810-002-124	Ridger Wings	2
3	H810-002-125	LH Support	1
4	H810-002-126	RH Support	1
5	--	Carriage Bolt -- 1/2" - 13 x 1 1/2" - Gr. 5	3
6	--	Carriage Bolt -- 1/2" - 13 x 2" - Gr. 5	1
7	--	Carriage Bolt -- 3/8" - 16 x 3/4" - Gr. 5	4
8	--	Flat Washer -- 9/16" x 1 3/4" x .250	2
9	--	Hex Nut -- 1/2" - 13	2
10	--	Lock Nut -- 1/2" - 13	2
11	--	Whiz Flange Nut -- 3/8" - 16	4
12	--	Lock Washer -- 1/2"	2
13	H81004143	Ridger Support Weldment	1
14	--	Hex Nut -- 3/8" - 16	2
16	H81004422	Support Weld	1
17	H81004499	Clevis Pin	1
18	H81004500	Ring	1
19	--	Hex Head Cap Screw -- 3/8" - 16 x 1" - Gr. 5	2

7 x 7 BAR GAUGE WHEEL

FOR ROLLING BED MAKER AND HIGH CLEAR CULTIVATOR

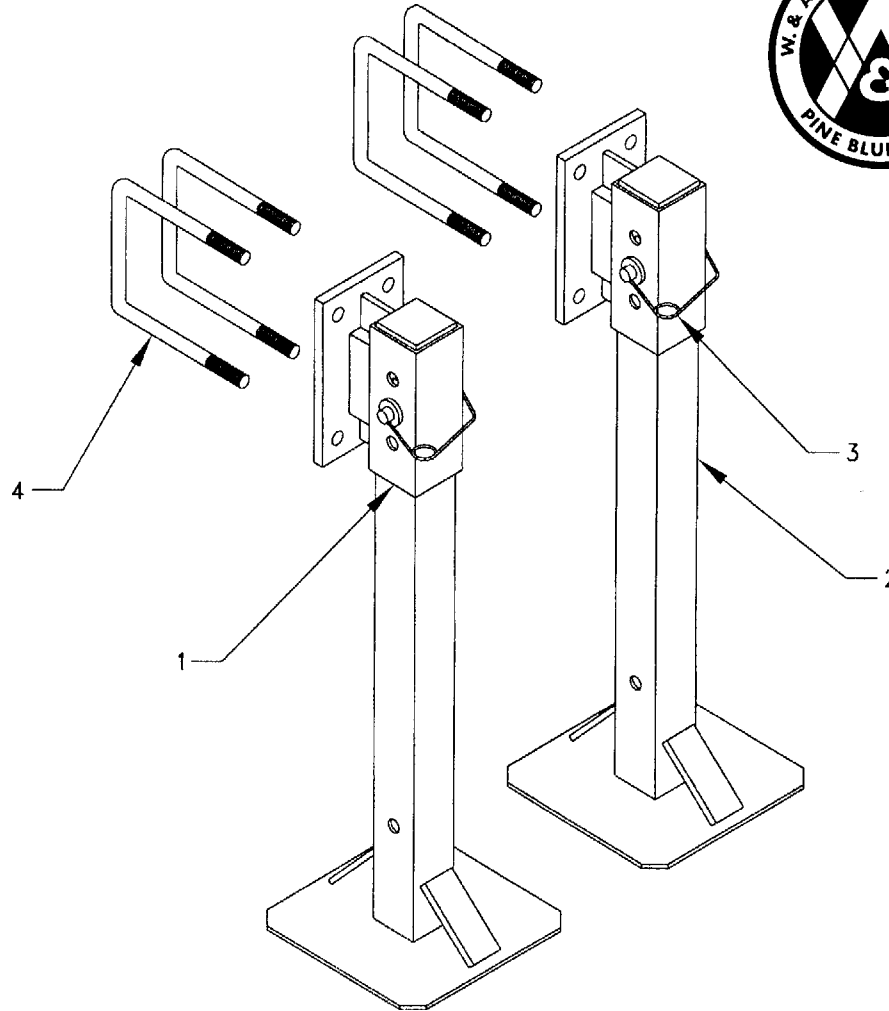


**No. 1320
& No. 1321**



<u>Item No.</u>	<u>Part No.</u>	<u>Wt. Lbs.</u>	<u>Description</u>	<u>Qty. Req'd for One Assembly</u>
1	302020	35¼	Holder - Gauge Wheel	1
2	411598	1	Hex Bolt -- 1" x 6½" NC - Gr 5 - Zinc	1
-	412016	-	Hex Nut -- 1" - 8 - Gr 2 - Zinc	1
-	413516	-	Lock Washer -- 1" - Zinc	1
3	411591	½	Hex Bolt -- ¾" x 4" NC - Gr 5 - Zinc	6
-	412012	-	Hex Nut -- ¾" - 10 - Gr 2 - Zinc	6
-	413512	-	Lock Washer -- ¾" - Zinc	6
4	302022	42½	LH Leg w/Hub - #1320 Gauge Wheel (Shown)	1
-	302021	42½	RH Leg w/Hub - #1320 Gauge Wheel	1
-	302024	50	Offset Leg LH w/Spind & Hub (1321 Ga Wh).....Not Illustrated	1
-	302023	50	Offset Leg RH w/Spind & Hub (1321 Ga Wh).....Not Illustrated	1
5	491119	10	5 Hole Hub Complete - Q-719	1
-	491007	9¾	Hub w/Cups Only - Q-719	1
-	481205	¼	Cone - Q809 & Q719 - LM67048	1
-	496010	-	Outer Cup - Q809 & Q719 - LM67010	1
-	481204	¼	Cone - Q809 & Q719 - LM48548	1
-	496011	-	Inner Cup - Q809 & Q719 - LM48510	1
-	497010	-	Grease Seal - Q719 - CR 15190	1
-	490006	¼	Hub Cap - Q809 & Q719	1
-	490015	-	1/2" NF Lug Nut	5
-	490017	-	Drive-In Hub Bolt - Q719	5
-	412164	-	Slotted Nut -- 7/8" - 14 Spindle	1
-	490034	-	Spindle Washer -- 7/8" - Q875/Q809/Q719	1
6	493007	17	15" x 5" x 5 Hole Wheel	1
7	302025	11½	Ratchet Crank Assembly	1
8	204242	13½	Backing Plate -- Gauge Wheel	1

FRONT PARKING STANDS FOR 7" SQUARE TOOL BAR NO. 738121



<u>ITEM NO.</u>	<u>PART NO.</u>	<u>WT. LBS.</u>	<u>DESCRIPTION</u>	<u>QTY REQ</u>
1	302222	19½	Holder - Front Parking Stand	2
2	302224	37	Stand - Front Parking (Tube 46")	2
3	416230	¾	3/4" Safety Lock Pin x 5½" OAL - Zinc	2
4	415004	2½	3/4" U-Bolt x 7" x 9" Leg	4
-	412012	-	Hex Nut -- 3/4" - 10 - Gr 2 - Zinc	8
-	413512	-	Lock Washer -- 3/4" - Zinc	8

NOTES

USE ONLY

W & A REPLACEMENT PARTS



W & A Manufacturing Company

**1810 Ohio Street
Phone (870) 534-7420**

**P.O. Box 5238
Fax (800) 336-1318**

PINE BLUFF, ARKANSAS 71611

www.wamfgco.com