

GRAHAM-HOEME®

The Original Chisel Plow

MISCELLANEOUS PARTS

DOUBLE SPRING
CLAMPS
FOR

1" & 1¼" SHANKS

Manufactured by:



Quality Products from

W & A MANUFACTURING COMPANY

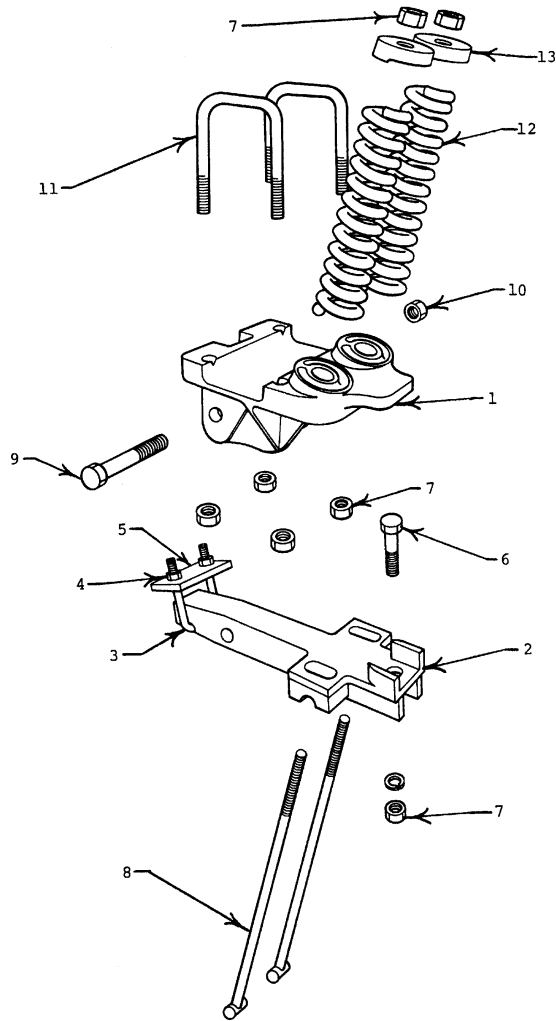
P.O. Box 5238, Pine Bluff, Arkansas 71611

Phone: (870) 534-7420

Fax: (800) 336-1318

Website: www.wamfgco.com

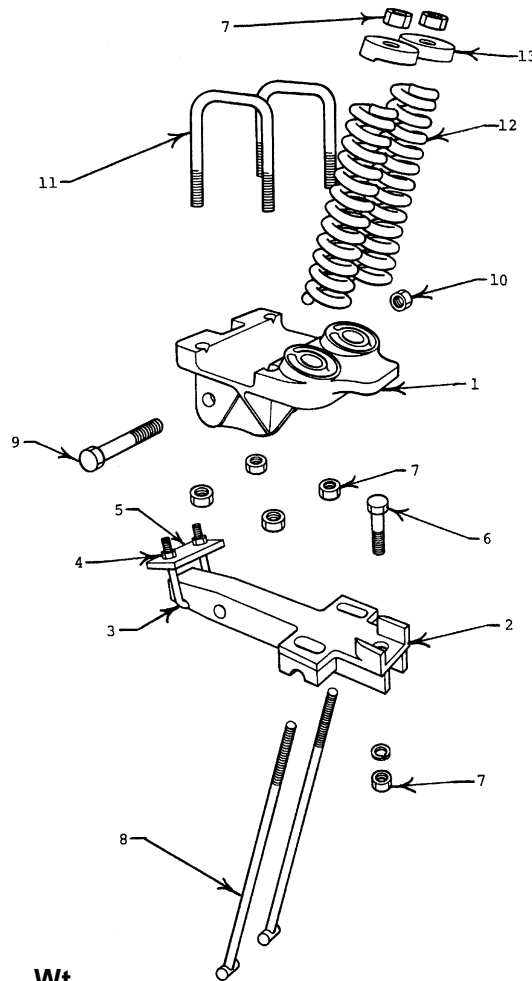
TWIN SPRING CLAMP



<u>Item No.</u>	<u>Part No.</u>	<u>G-H No.</u>	<u>Wt. Lbs.</u>	<u>Description</u>	<u>Req.</u>
A	701003	CS1608	48	Dbl Spg Clamp Comp -- 1" Shank	
	701004	CS1610	48	Dbl Spg Clamp Comp -- 1-1/4" Shank	
B	701005	CS1631	9¾	Dbl Spg Hinge Asmb -- 1".....(Items 2, 3, 4 & 5)	
1	102006	CS1609	17½	Double Spring Clamp Only -- 1" Shank	1
	102007	CS1611	17½	Double Spring Clamp Only -- 1-1/4" Shank	1
2	102004	CS1629	8¼	Hinge Double Spring 1" & 1-1/4" Shank	1
3	415104	CS1630	½	1/2" Sq U-Bolt x 2-1/8" x 3-1/4" Leg	1
4	410008			Lock Nut -- 1/2" NC - Zinc	2
5	102102	CS1633	1	Plate for U-Bolt	1
6	411246		½	¾" x 2½" Hex Bolt*	1

TWIN SPRING CLAMP

(Continued)



<u>Item No.</u>	<u>Part No.</u>	<u>G-H No.</u>	<u>Wt. Lbs.</u>	<u>Description</u>	<u>Req.</u>
7	412012			Hex Nut -- 3/4" - 10 - Gr 2 - Zinc	7
8	415130	HW-135	2	3/4" T-Bolt x 15 1/2" - Zinc	2
9	411594	CS1620	3/4	Hex Bolt -- 3/4" x 5" NC - Gr 5 - Zinc	1
10	410012			Lock Nut -- 3/4" NC - Gr 2 - Zinc	1
11	415008	HW-167	1 3/4	3/4" Sq U-Bolt x 4" x 5 1/4" Leg	2
12	471029	CS1619	4 3/4	1/2" Compression Spring	2
13	102009	CS1607	1	Top Spring Washer	2

NOTE: Above Spring Clamps when used with top plates and bolts, can be used to substitute for our old style Spring Clamps. (Including C-1607AA and C60AA.)

USE ONLY

W & A REPLACEMENT PARTS



W & A Manufacturing Company

1810 Ohio Street
Phone (870) 534-7420

P.O. Box 5238
Fax (800) 336-1318

PINE BLUFF, ARKANSAS 71611

www.wamfgco.com