

ORIGINAL GEARBOX PARTS



For

UFT Grain Carts

(UFT Wetmore 400, UFT Steinman 425,
UFT Wetmore 444, UFT Wetmore 500,
UFT Steinman 750, UFT Steinman 754)

&

John Deere Grain Carts:

(Model # 1210, Model # 400 & Model # 500)



Quality Products from

W & A MANUFACTURING COMPANY

P.O. Box 5238, Pine Bluff, Arkansas 71611

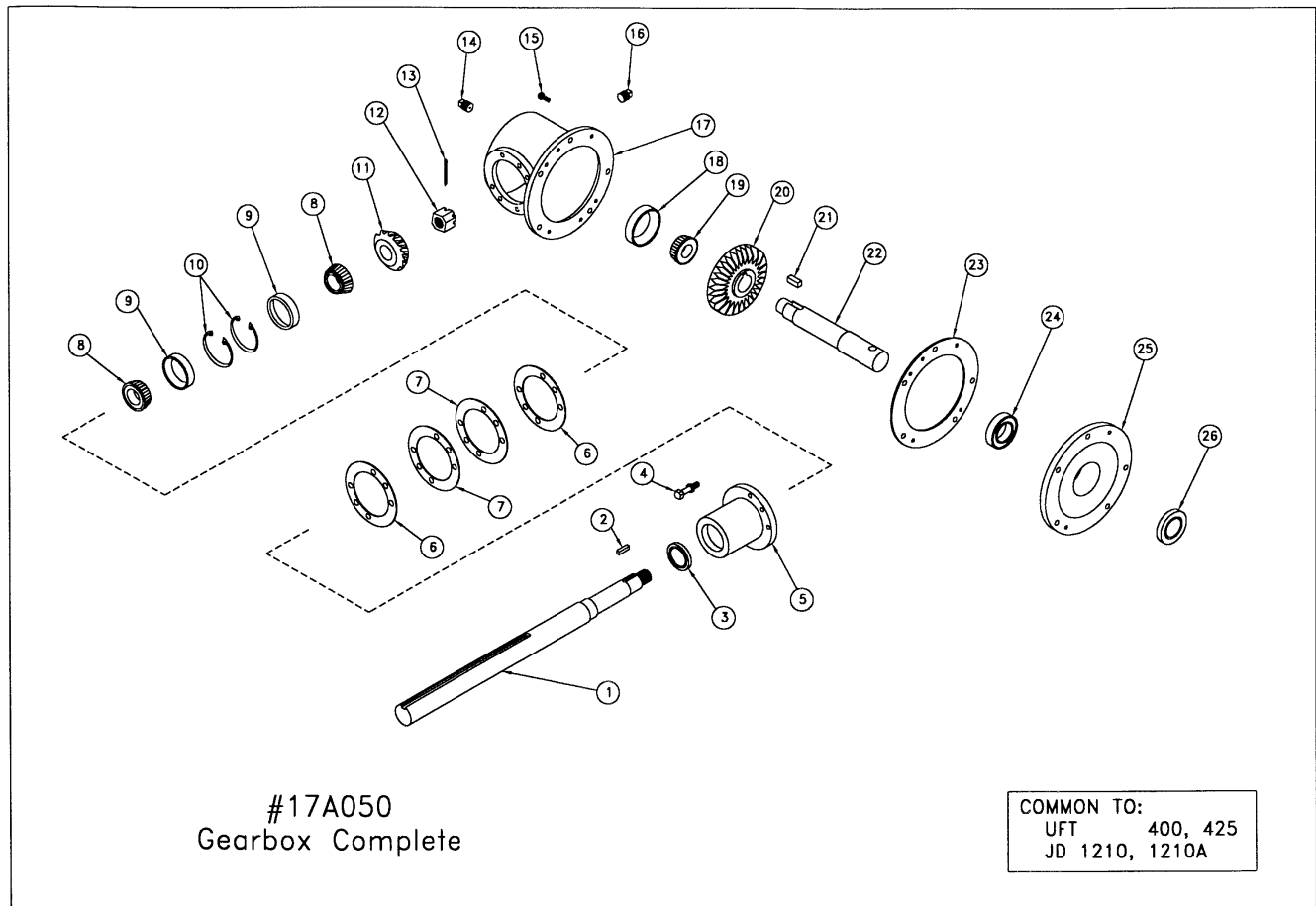
Phone: (870) 534-7420

Fax: (800) 336-1318

Website: www.wamfgco.com

#17A050 GEARBOX COMPLETE

COMMON TO: UFT 400, UFT 425, JD 1210, JD 1210A

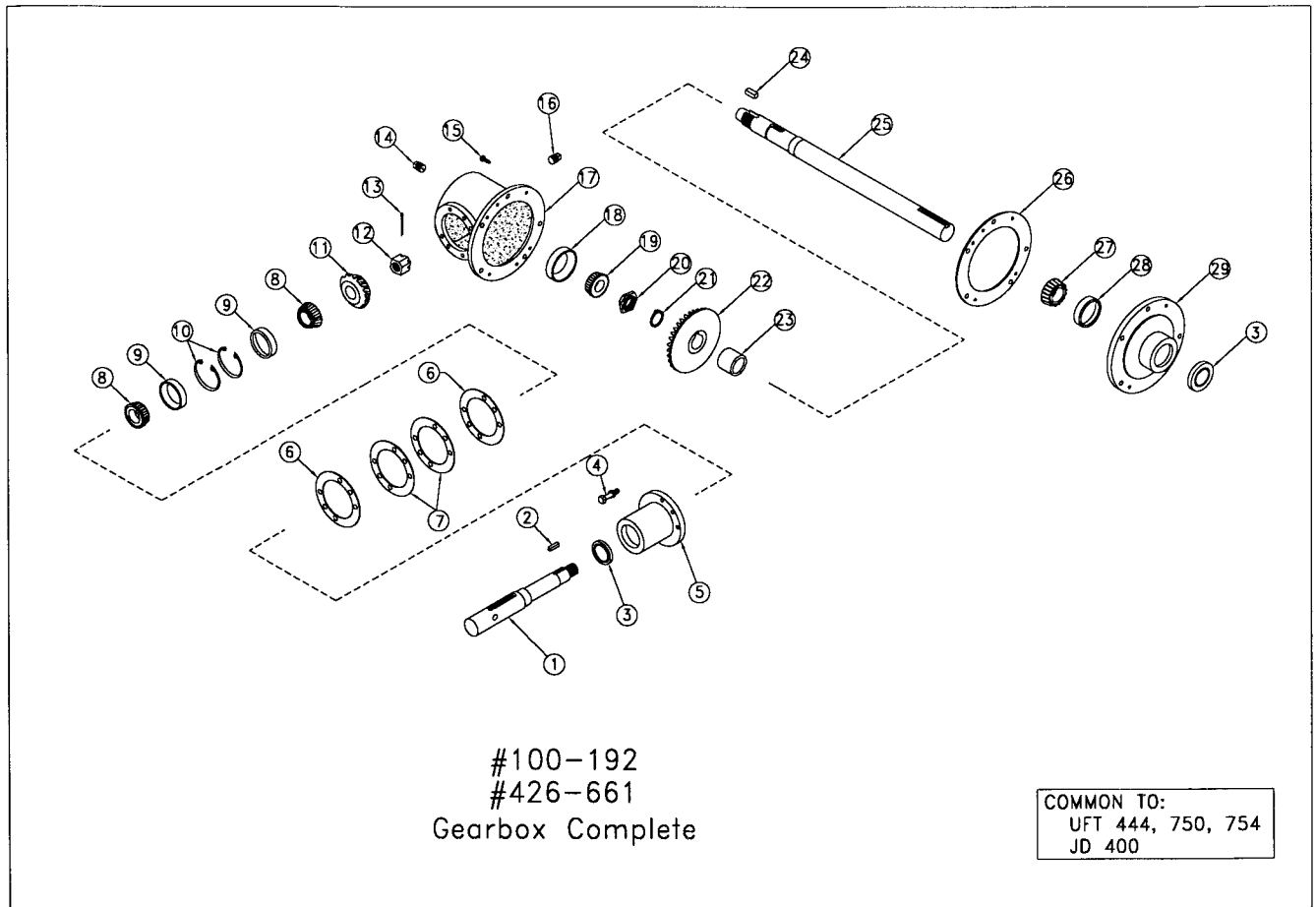


NOTE!! WHEN FULLY ASSEMBLED:
Output Shaft #17055A protrudes from Housing approx. 3-1/2"
Input Shaft #17054B protrudes from Housing approx. 17"

Item No.	Part No.	W&A No.	Description	Req'd	Item No.	Part No.	W&A No.	Description	Req'd
1	17054B	570067	Input Shaft -- 1-1/4" x 23"	1	14	805-735	570046	Vent Plug -- 3/8"	1
2	-	403800	Square Key -- 1/4" x 1" (GC)	1	15	-	411470	Hex Bolt -- 1/4" X 3/4" - Gr. 5	2
3	17061	570074	Seal	1	-	-	413504	Lock Washer -- 1/4" - Zinc ...	2
4	-	411506	Hex Bolt -- 3/8" x 1" - Gr 5	6	16	-	456206	Pipe Plug, 3/8"	1
-	-	413506	Lock Washer -- 3/8" - Zinc ...	6	17	17050	570064	Gearbox Housing	1
5	426-663	570025	Input Housing - Gearbox	1	18	17056	570069	Race (15523)	1
6	17169	570079	Gasket	2	19	17059	570072	Bearing (15578)	1
7	17169S	570080	Steel Gasket	2	20	17058A	570071	28T Bevel Gear	1
8	17060	570073	Bearing.....(17118).....	2	21	-	403810	Square Key -- 3/8" x 1"	1
9	17007	570063	Race (17244)	2	22	17055A	570068	Output Shaft -- 1 1/2" x 9-3/8" ...	1
10	17086A	570077	Retainer Ring	2	23	17170	570081	Gasket	1
11	17057A	570070	15T Bevel Pinion Gear	1	24	17063	570076	Bearing.....(6007RS)	1
12	-	412164	Slot Nut -- 7/8" - 14 Spindle ...	1	25	17051	570066	Gearbox Cover	1
13	-	416009	Cotter Pin -- 1/8" x 2"	1	26	17062	570075	Seal	1

#100-192 & #426-661 GEARBOX COMPLETE

COMMON TO: UFT 444, UFT 750, UFT 754, JD 400

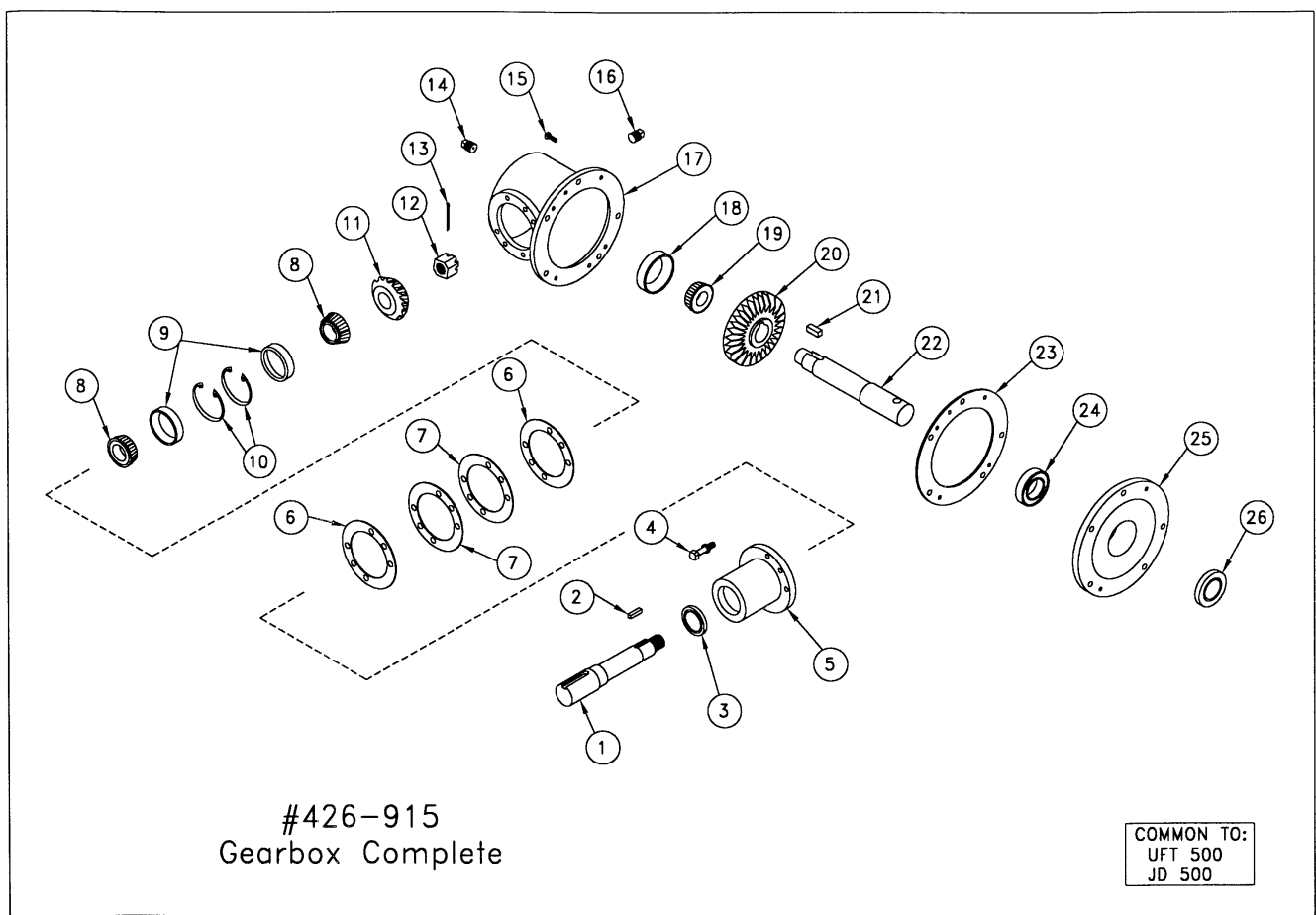


NOTE!! WHEN FULLY ASSEMBLED:
 Output Shaft #426-658 protrudes from Housing approx. 16-1/4"
 Input Shaft #100-193 protrudes from Housing approx. 5-1/4"

Item No.	Part No.	W&A No.	Description	Req'd	Item No.	Part No.	W&A No.	Description	Req'd
1	100-193	570005	Input Shaft -- 1-1/2" x 11-1/8"	1	16	-	456206	Pipe Plug, 3/8"*	1
2	-	403800	Square Key -- 1/4" x 1" (GC)	1	17	17050	570064	Gearbox Housing	1
3	100-207	570006	Seal - Gearbox	2	18	17056	570069	Race (15523)	1
4	-	411506	Hex Bolt -- 3/8" x 1" - Gr 5	6	19	17059	570072	Bearing (15578)	1
-	-	413506	Lock Washer -- 3/8" - Zinc	6	20	100-208	570007	Adjusting Nut - Gearbox	1
5	426-663	570025	Input Housing - Gearbox	1	21	100-211	570010	Retaining Ring - Gearbox	1
6	17169	570079	Gasket	2	22	17058A	570071	28T Bevel Gear	1
7	17169S	570080	Steel Gasket	2	23	426-619	570022	Spacer - Gearbox	1
8	17060	570073	Bearing (17118)	2	24	-	403810	Square Key -- 3/8" x 1"	1
9	17007	570063	Race (17244)	2	25	426-658	570023	Output Shaft (1 1/2" x 2 3/4")	1
10	17086A	570077	Retainer Ring	2	26	17170	570081	Gasket	1
11	17057A	570070	15T Bevel Pinion Gear	1	27	100-209	570008	Bearing (JD8148)..(15123)	1
12	-	412164	Slot Nut -- 7/8" - 14 Spindle	1	28	100-210	570009	Race (JD7449)..(15245)	1
13	-	416009	Cotter Pin -- 1/8" x 2"	1	29	426-659	570024	Gearbox Cover	1
14	805-735	570046	Vent Plug -- 3/8"	1					
15	-	411470	Hex Bolt, 1/4" X 3/4" Gr. 5*	2					
-	-	413504	Lock Washer, 1/4"*	2					

#426-915 GEARBOX COMPLETE

COMMON TO: UFT 500, JD 500



NOTE!! WHEN FULLY ASSEMBLED:

Output Shaft #17055A protrudes from Housing approx. 3-1/2"

Input Shaft #426-916 protrudes from Housing approx. 2-1/2"

Item No.	Part No.	W&A No.	Description	Req'd	Item No.	Part No.	W&A No.	Description	Req'd
1	426-916	570030	Input Shaft -- 1½" x 8½"	1	14	805-735	570046	Vent Plug -- 3/8"	1
2	-	403800	Square Key -- 1/4" x 1" (GC)	1	15	-	411470	Hex Bolt -- ¼" X ¾" - Gr. 5	2
3	100-207	570006	Seal - Gearbox	1	-	-	413504	Lock Washer -- 1/4" - Zinc ...	2
4	-	411506	Hex Bolt -- 3/8" x 1" - Gr 5	6	16	-	456206	Pipe Plug, 3/8"	1
-	-	413506	Lock Washer -- 3/8" - Zinc ...	6	17	17050	570064	Gearbox Housing	1
5	426-663	570025	Input Housing - Gearbox	1	18	17056	570069	Race (15523)	1
6	17169	570079	Gasket	2	19	17059	570072	Bearing (15578)	1
7	17169S	570080	Steel Gasket	2	20	17058A	570071	28T Bevel Gear	1
8	17060	570073	Bearing (17118)	2	21	-	403810	Square Key -- 3/8" x 1"	1
9	17007	570063	Race (17244)	2	22	17055A	570068	Output Shaft -- 1½" x 9-3/8" .	1
10	17086A	570077	Retainer Ring	2	23	17170	570081	Gasket	1
11	17057A	570070	15T Bevel Pinion Gear	1	24	17063	570076	Bearing.....(6007RS)	1
12	-	412164	Slot Nut -- 7/8" - 14 Spindle ...	1	25	17051	570066	Gearbox Cover	1
13	-	416009	Cotter Pin -- 1/8" x 2"	1	26	17062	570075	Seal	1