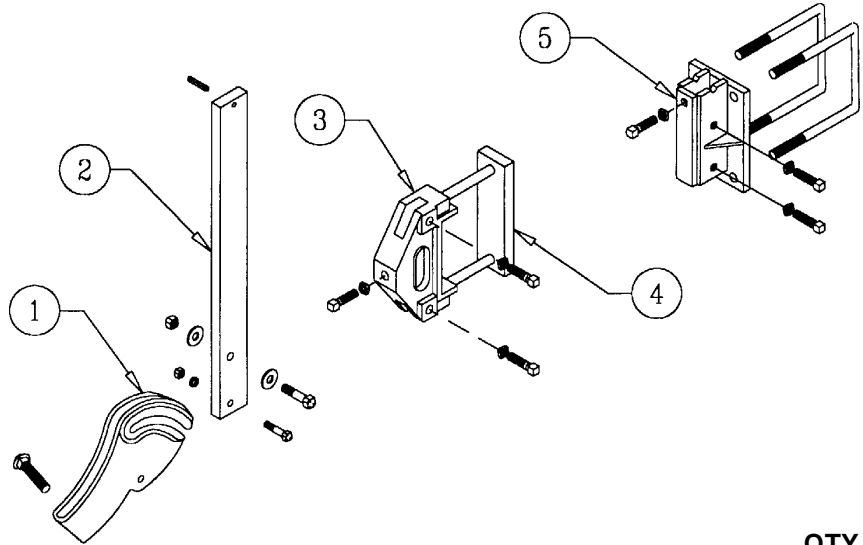


# BOLT-ON SHANK HOLDERS



<u>ITEM NO.</u>	<u>PART NO.</u>	<u>WT. LBS.</u>	<u>DESCRIPTION</u>	<u>QTY. REQ.</u>
1	479075	6½	Friction Trip Foot .....	13
-	411549	-	Hex Bolt -- 1/2" x 2½" NC - Gr. 5 - Zinc.....	13
-	411563	½	Hex Bolt -- 5/8" x 3" NC - Gr. 5 - Zinc.....	13
-	411794	½	Carriage Bolt -- 3/4" x 3½" NC - Gr. 5 - Zinc .....	13
-	410009	-	Lock Nut -- 5/8" NC - Gr 2 - Zinc .....	13
-	410012	-	Lock Nut -- 3/4" NC - Gr 2 - Zinc .....	13
-	412008	-	Hex Nut -- 1/2" - 13 - Gr. 2 - Zinc .....	13
-	413056	-	Flat Washer, Heavy -- 5/8" - Zinc .....	26
-	413058	-	Flat Washer, Heavy -- 3/4" - Zinc .....	13
-	413508	-	Lock Washer -- 1/2" - Zinc.....	13
2	204210	25	Vertical Shank - C1080 .....	7
-	416120	-	Roll Pin -- 3/8" x 2" - Zinc .....	13
3	479069	13½	Bolt-On Shank Holder -- 7" Sq. Tool Bar.....	8
-	414828	-	Square Head Set Screw -- 5/8" x 1¾" .....	24
-	412310	-	Square Nut -- 5/8" - 11 - Gr. 2 - Zinc .....	24
-	412410	-	Jam Nut -- 5/8" - 11 - Gr. 2 - Zinc .....	24
4	204274	9	Backing Plate For Bolt-On Shank Holder - 7" .....	8
-	411602	1¼	Hex Bolt -- 3/4" x 9" NC - Gr. 5 - Zinc.....	16
-	412012	-	Hex Nut -- 3/4" - 10 - Gr. 2 - Zinc .....	16
-	413512	-	Lock Washer -- 3/4" - Zinc.....	16
5	302036	19½	Center Bolt-On Shank Holder - 7".....	3
-	415004	2½	3/4" Sq. U-Bolt x 7" x 9" Leg .....	6
-	412012	-	Hex Nut -- 3/4" - 10 - Gr. 2 - Zinc .....	12
-	413512	-	Lock Washer -- 3/4" - Zinc.....	12
-	414828	-	Square Head Set Screw -- 5/8" x 1¾" .....	9
-	412410	-	Jam Nut -- 5/8" - 11 - Gr. 2 - Zinc .....	9
N/I	302002	32½	3" Offset Shank – RH.....	1
N/I	302003	32½	3" Offset Shank – LH .....	1
N/I	302034	27¾	1" Offset Shank – RH.....	1
N/I	302035	27¾	1" Offset Shank – LH .....	1