

W & A PARTS MANUAL



WATERMIZER



Quality Products from

W & A MANUFACTURING COMPANY

P.O. Box 5238, Pine Bluff, Arkansas 71611

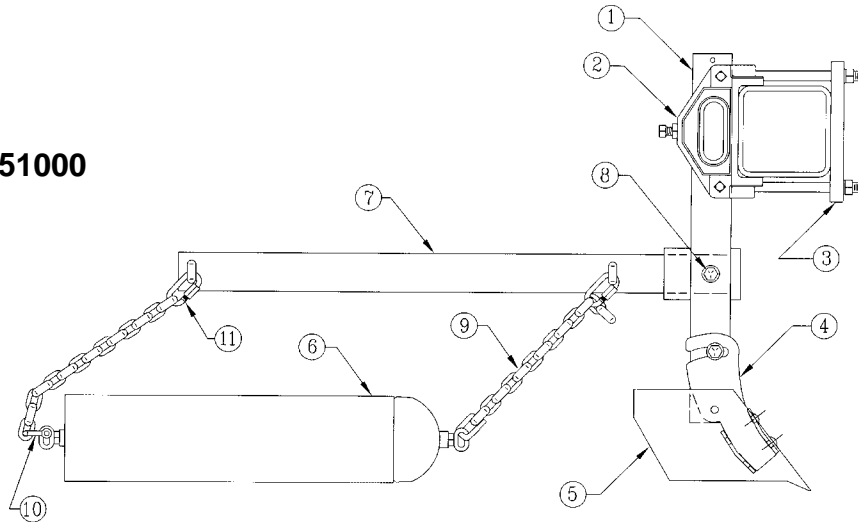
Phone: (870) 534-7420

Fax: (800) 336-1318

Website: www.wamfgco.com

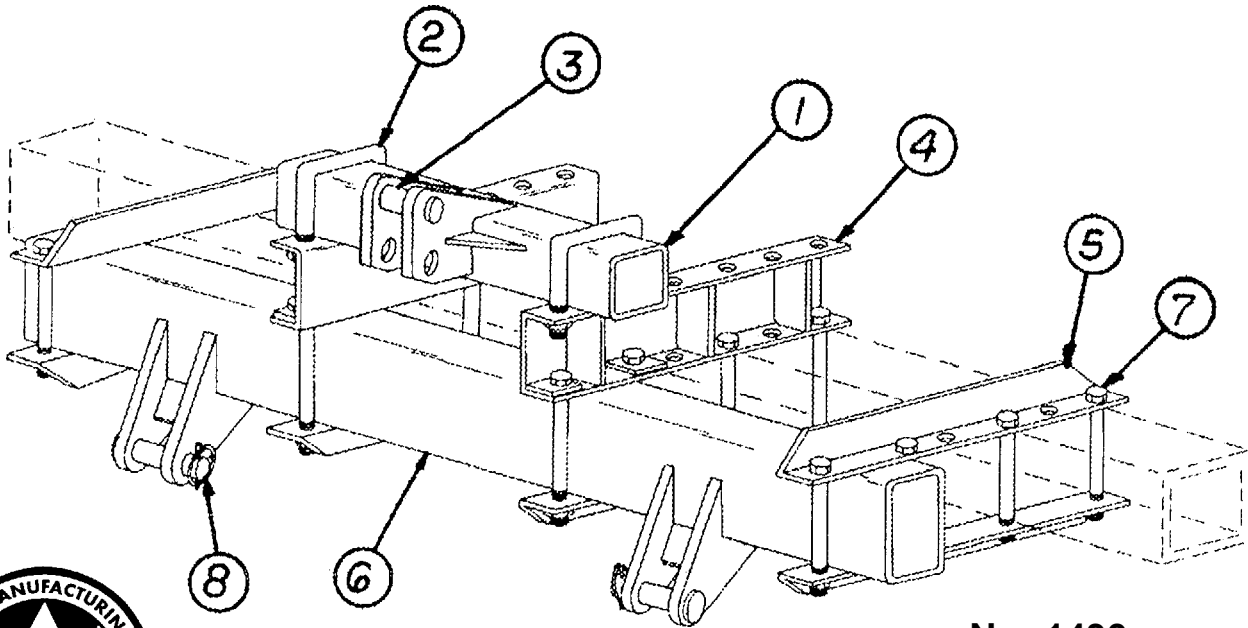
WATERMIZER ASSEMBLY

NO. 751000



<u>ITEM NO.</u>	<u>PART NO.</u>	<u>WT. LBS.</u>	<u>DESCRIPTION</u>	<u>QTY. REQ'D FOR 1 SHANK</u>
1	204603	24¼	Water Shank - Watermizer	1
-	416120	-	Roll Pin -- 3/8" x 2" - Zinc	1
2	479069	13½	Bolt-On Shank Holder - 7" Tool Bar	1
-	414829	-	Square Head Set Screw -- 5/8" x 1¾" NC - Zinc.....	3
-	412310	-	Square Nut -- 5/8" - 11 - Gr 2 - Zinc	3
-	412410	-	Jam Nut -- 5/8" - 11 - Gr 2 - Zinc	3
3	204274	9	Backing Plate for Bolt-On Shank Holder - 7"	1
-	411601	1¼	Hex Bolt -- 3/4" x 8½" NC - Gr. 5 - Zinc	2
-	412012	-	Hex Nut -- 3/4" - 10 - Gr 2 - Zinc	2
-	413512	-	Lock Washer -- 3/4" - Zinc	2
4	302265	7¼	Friction Trip Foot - Watermizer	1
-	411549	-	Hex Bolt -- 1/2" x 2½" NC - Gr 5 - Zinc	1
-	411563	½	Hex Bolt -- 5/8" x 3" NC - Gr 5 - Zinc.....	1
-	411837	½	Plow Bolt -- 7/16" x 3½" NC - Gr 5 - #3 - Zinc	2
-	410007	-	Lock Nut -- 7/16" NC - Zinc	2
-	410009	-	Lock Nut -- 5/8" NC - Gr 2 - Zinc	1
-	412008	-	Hex Nut -- 1/2" - 13 - Gr 2 - Zinc	1
-	413010	-	Flat Washer -- 5/8" - Zinc	2
-	413508	-	Lock Washer -- 1/2" - Zinc	1
5	474047	5	Water Furrower - 7" - Watermizer	1
6	302267	66¼	Torpedo - Watermizer	1
7	302269	17¾	Pick Up Arm - Watermizer	1
8	411561	¼	Hex Bolt -- 5/8" x 2" NC - Gr 5 - Zinc.....	1
-	410009	-	Lock Nut -- 5/8" NC - Gr 2 - Zinc	1
-	413010	-	Flat Washer -- 5/8" - Zinc	2
9	204613	1¾	Lift Chain -- 5/16" x 14 Links Hi-Test - Zinc	2
10	405006	-	Cold Shut -- 3/8" - Zinc	2
11	400021	¼	Quick Link -- 3/8"	2

CAT III HITCH FOR 7" SQ. BAR

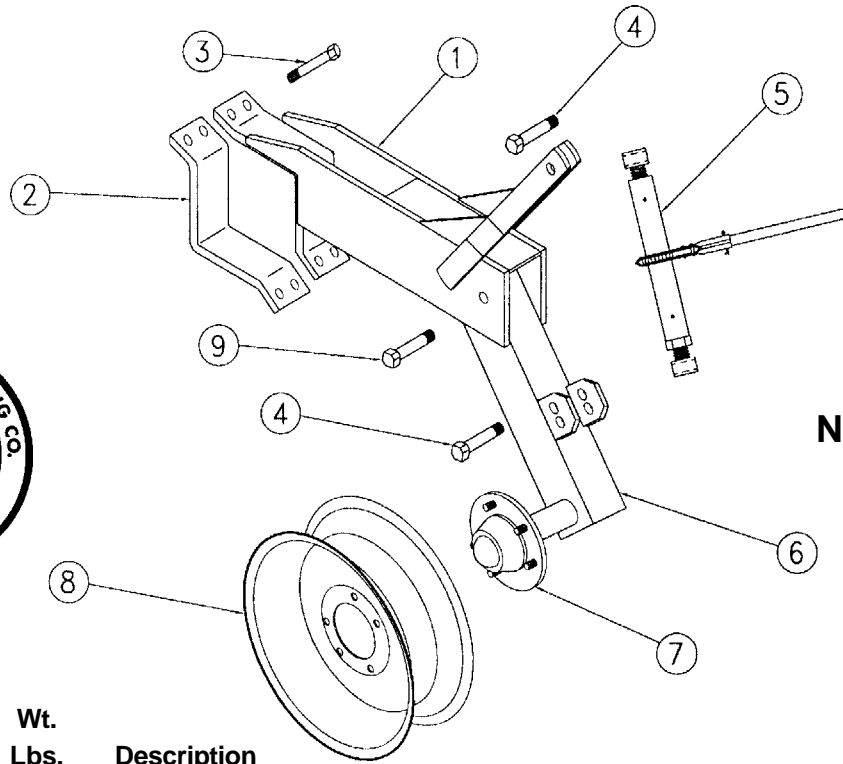


Cat. III Standard & Quick Hitch

No. 1430
No. 1442
No. 1444

Item No.	Part No.	Wt. Lbs.	Description	Qty. Required		
				1430	1442	1444
1	300279	47½	Mast Top – Cat III - Hitch	1	1	1
2	415018	2	7/8" Sq. U-Bolt x 4" x 6½" Leg	2	2	2
-	413514	-	Lock Washer -- 7/8" - Zinc	20	28	28
-	412014	-	Hex Nut -- 7/8" - 9 - Gr 2 - Zinc	20	28	28
3	416698	1	1¼" Top Link Pin - Zinc.....(6½")	1	1	1
-	416207	1	Klik Pin - 7/16" - Zinc	1	1	1
4	301037	26½	Mast Side - Hitch	2	2	2
5	201601	15¼	Angle Support - RH - Hitch	3	5	5
-	201602	15¼	Angle Support - LH - Hitch	3	5	5
6	300845	171	Pull Piece Bracket - Cat III (3/8" Wall x 72")	1	-	-
-	301047	416	Pull Piece Bracket - Cat III (3/8" Wall x 190")	-	1	-
-	301373	429	Pull Piece Bracket - Cat III (3/8" Wall x 196")	-	-	1
7	411294	1¾	Hex Bolt -- 7/8" x 10" NC - Gr 2 - Zinc.....	16	24	24
8	300837	2¾	Pull Pin -- 1-7/16" x 6"	2	2	2
-	416207	1	Klik Pin - 7/16" - Zinc	2	2	2

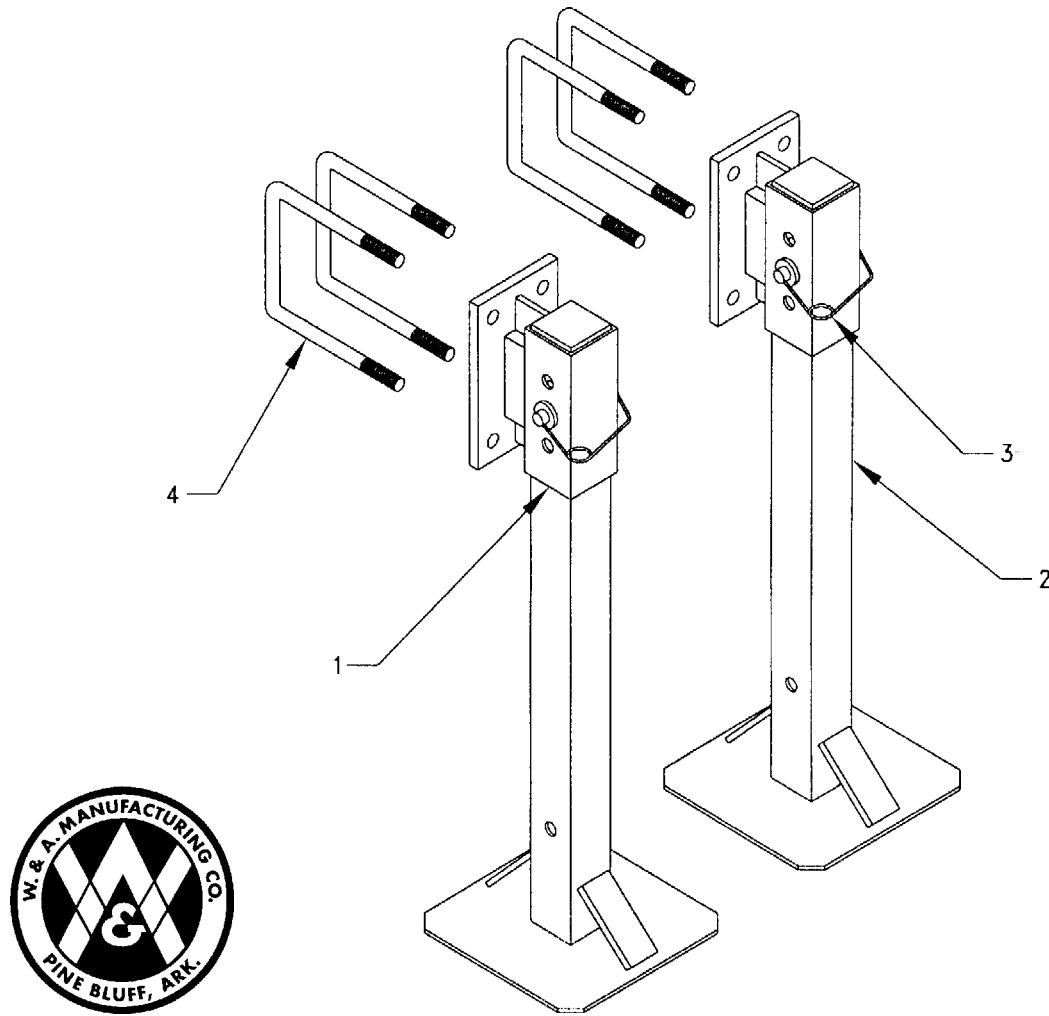
TOP MOUNTED ADJ. GAUGE WHEELS



No. 1341

Item No.	Part No.	Wt. Lbs.	Description	Qty. Req. for 1 Assembly
1	302230	60	Holder - #1341 Top Mtd Adj Gauge Wheel (WM)	1
2	203770	10	Backing Clamp for 7" Sq. Bar	1
3	411591	½	Hex Bolt -- ¾" x 4" NC - Gr 5 - Zinc	4
-	412012	-	Hex Nut -- ¾" - 10 - Gr 2 - Zinc	6
-	413512	-	Lock Washer -- ¾" - Zinc	6
4	411591	½	Hex Bolt -- ¾" x 4" NC - Gr 5 - Zinc	2
5	302025	11½	Ratchet Crank Assembly	1
6	302226	34¾	RH Leg w/Hub -- #1338 & #1341 Gauge Wheel (Shown) ..	1
-	302227	34¾	LH Leg w/Hub -- # 1338 & #1341 Gauge Wheel	1
7	491119	11	5 Hole Hub Complete - Q-719	1
-	491007	9¾	Hub w/Cups Only - Q-719	1
-	481205	¼	Cone - Q809 & Q719 - LM67048	1
-	496010	-	Outer Cup - Q809 & Q719 - LM67010	1
-	481204	¼	Cone - Q809 & Q719 - LM48548	1
-	496011	-	Inner Cup - Q809 & Q719 - LM48510	1
-	497010	-	Grease Seal - Q719 - CR 15190	1
-	490006	¼	Hub Cap - Q809 & Q719	1
-	490015	-	1/2" NF Lug Nut	5
-	490017	-	Drive-In Hub Bolt - Q719	5
-	412164	-	Slotted Nut -- 7/8" - 14 Spindle	1
-	490034	-	Spindle Washer -- 7/8" - Q875/Q809/Q719	1
8	493007	17	15" x 5" x 5 Hole Wheel	1
9	411594	¾	Hex Bolt -- ¾" x 5" NC - Gr 5 - Zinc	1
-	412012	-	Hex Nut -- ¾" - 10 - Gr 2 - Zinc	1
-	413512	-	Lock Washer -- ¾" - Zinc	1

REAR PARKING STANDS



<u>ITEM NO.</u>	<u>PART NO.</u>	<u>WT. LBS.</u>	<u>DESCRIPTION</u>	<u>QTY REQ</u>
1	302222	19½	Holder - Rear Parking Stand - Watermizer	2
2	302223	29	Stand (Tube 32")	2
3	416230	¾	¾" Safety Lock Pin x 5½" OAL - Zinc	2
4	415004	2½	¾" Sq. U-Bolt x 7" x 9" Leg	4
-	412012	-	Hex Nut -- ¾" - 10 - Gr 2 - Zinc	8
-	413512	-	Lock Washer -- ¾" - Zinc	8

NOTES

USE ONLY

W & A REPLACEMENT PARTS



W & A Manufacturing Company

1810 Ohio Street P.O. Box 5238
PINE BLUFF, ARKANSAS 71611

Phone (870) 534-7420

Fax (800) 336-1318

www.wamfgco.com