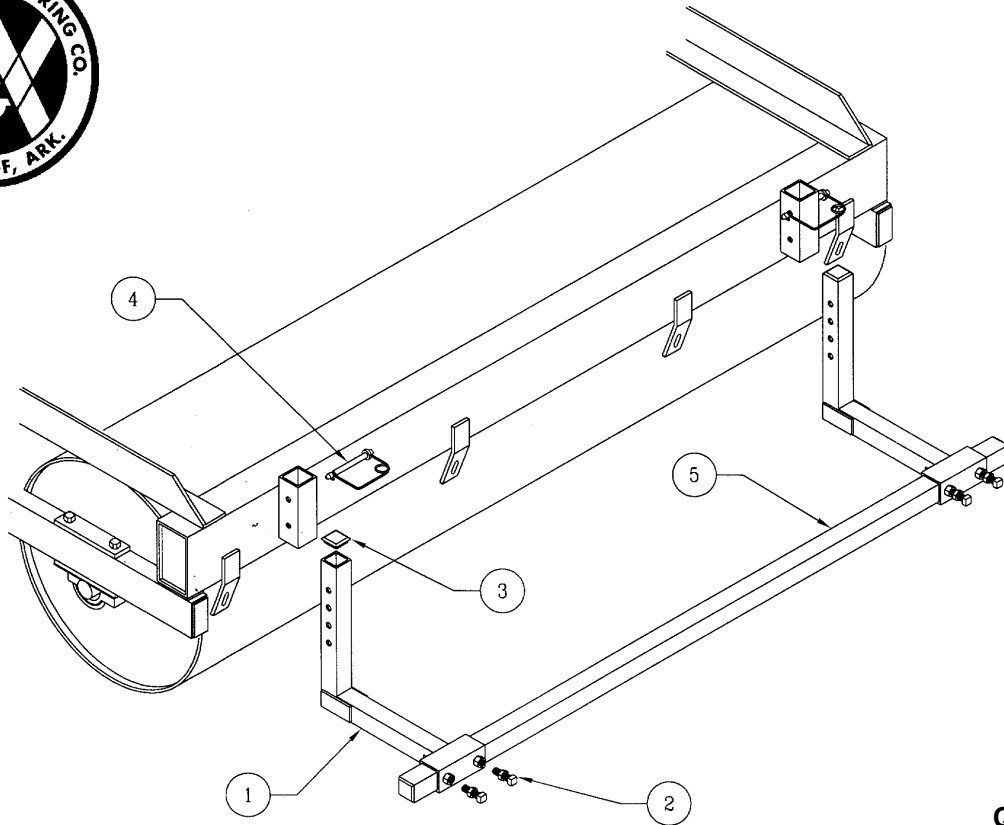


REAR CLEAN OUT ROLLING BED MAKERS



ITEM NO.	PART NO.	WT. LBS.	DESCRIPTION	QTY REQ		
				8@38" Fold	12@30" Fold	12@38" Stack
1	302065	15¼	Tube Mount - Rear Clean Out - Bedmaker	6	10	10
2	414828	-	Square Head Set Screw -- 5/8" x 1¾"	12	20	20
-	412410	-	Jam Nut -- 5/8" - 11 - Gr 2 - Zinc	12	20	20
3	459224	-	Square Vinyl Tube Cap -- 2"	12	16	20
4	416228	½	1/2" Safety Lock Pin x 5½" OAL - Zinc	6	10	10
5	204551	17	Tine Tube -- 50" - Rear Clean Out - Bedmaker	-	-	2
-	204553	28	Tine Tube -- 82" - Rear Clean Out - Bedmaker	3	-	3
-	204555	32½	Tine Tube -- 96" - Rear Clean Out - Bedmaker	-	2	-
-	204557	42¼	Tine Tube -- 126" - Rear Clean Out - Bedmaker	-	1	-
-- NOT ILLUSTRATED --						
-	471031	5¾	Spring Tine Only	9	13	13
-	471038	1	Tine Clamp for 2" Sq.	9	13	13
-	411736	-	Carriage Bolt -- 1/2" x 3½" NC - Gr 2 - Zinc	9	13	13
-	410008	-	Lock Nut -- 1/2" NC - Zinc	9	13	13

-	474004	1¼	Duck Foot -- 1/4" x 4"	9	13	13
-	411826	-	Plow Bolt -- 3/8" x 1½" - Elliptical Head	9	13	13
-	410006	-	Lock Nut -- 3/8" NC - Zinc	9	13	13
-	413006	-	Flat Washer -- 3/8" - Zinc	9	13	13