

# W & A

## PARTS MANUAL



### SINGLE BEAM

## 1 1/2" SQ. AXLE DISK BEDDER

Model Nos. 710138 - 710142



*Quality Products from*

**W & A MANUFACTURING COMPANY**

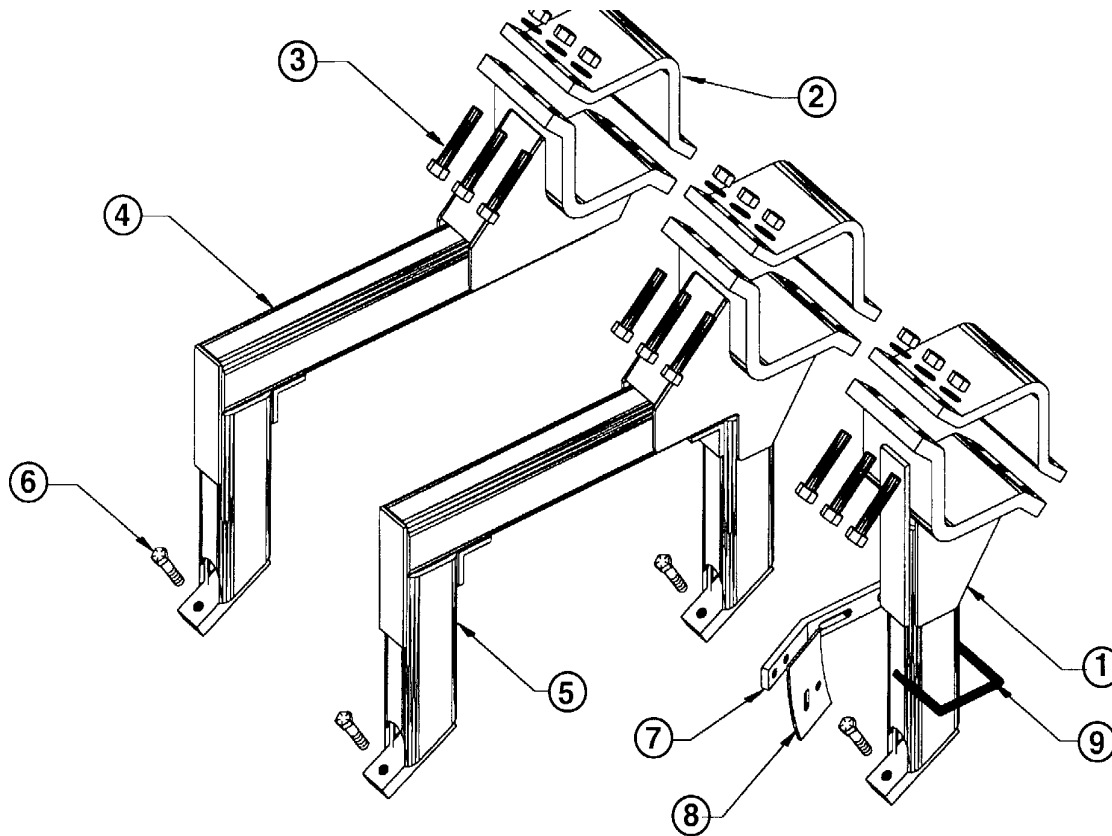
P.O. Box 5238, Pine Bluff, Arkansas 71611

Phone: (870) 534-7420

Fax: (800) 336-1318

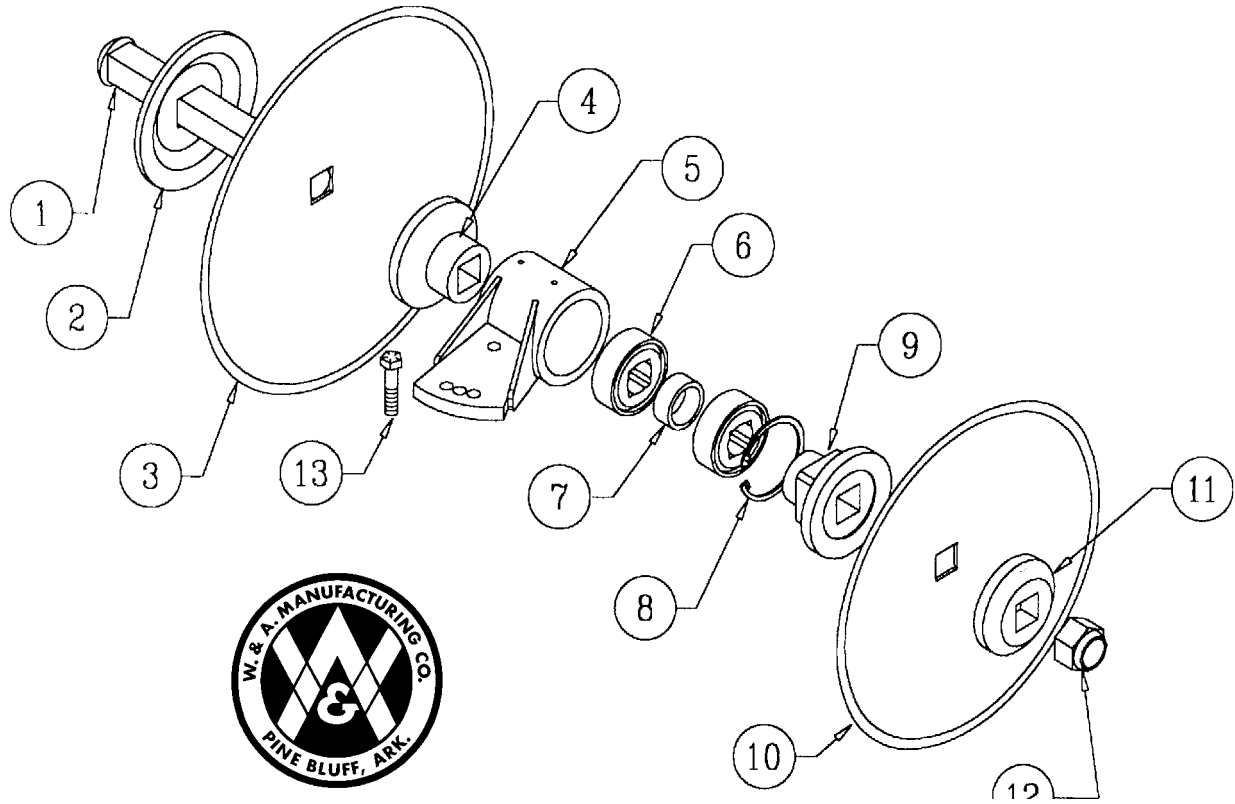
Website: [www.wamfgco.com](http://www.wamfgco.com)

# SINGLE BEAM 1½" SQ. AXLE DISK BEDDER



Item No.	Part No.	Wt. Lbs.	Description	Quantity Req'd.	
				8 Row	12 Row
1	302162	60¾	Front Single Beam -- 1½" Sq. Axle DB .....	1	1
2	204517	24	Backing Clamp -- SB 1½" Sq. Axle DB .....	9	13
3	411820	½	Hex Bolt -- ¾" x 4½" NC - Gr 8 - Zinc .....	54	78
-	410012	-	Lock Nut -- ¾" NC - Gr 2 - Zinc .....	54	78
-	413072	-	Flat Washer -- ¾" ASAE .....	54	78
4	302164	97½	Rear Single Beam -- 1½" Sq. Axle DB .....	1	1
5	302160	116½	Double Single Beam -- 1½" Sq. Axle DB .....	7	11
6	411811	¼	Hex Bolt -- 5/8" x 2¾" NC - Gr 8 - Zinc .....	32	48
-	412010	-	Hex Nut -- 5/8" - 11 - Gr 2 - Zinc .....	32	48
-	413510	-	Lock Washer -- 5/8" - Zinc .....	32	48
7	204520	2½	Scraper Arm -- Single Beam Bedder .....	16	24
8	204519	1¼	Scraper Blade -- Single Beam Bedder .....	16	24
-	411545	-	Hex Bolt -- 1/2" x 1½" NC - Gr 5 - Zinc .....	16	24
-	411785	-	Carriage Bolt -- 1/2" x 1½" NC - Gr 5 - Zinc .....	16	24
-	412008	-	Hex Nut -- 1/2" - 13 - Gr 2 - Zinc .....	32	48
-	413508	-	Lock Washer -- 1/2" - Zinc .....	32	48
9	415115	¾	1/2" Sq. U-Bolt x 4" x 4-3/16" Leg .....	16	24
-	410008	-	Lock Nut -- 1/2" NC - Zinc .....	32	48
-	413008	-	Flat Washer -- 1/2" - Zinc .....	32	48

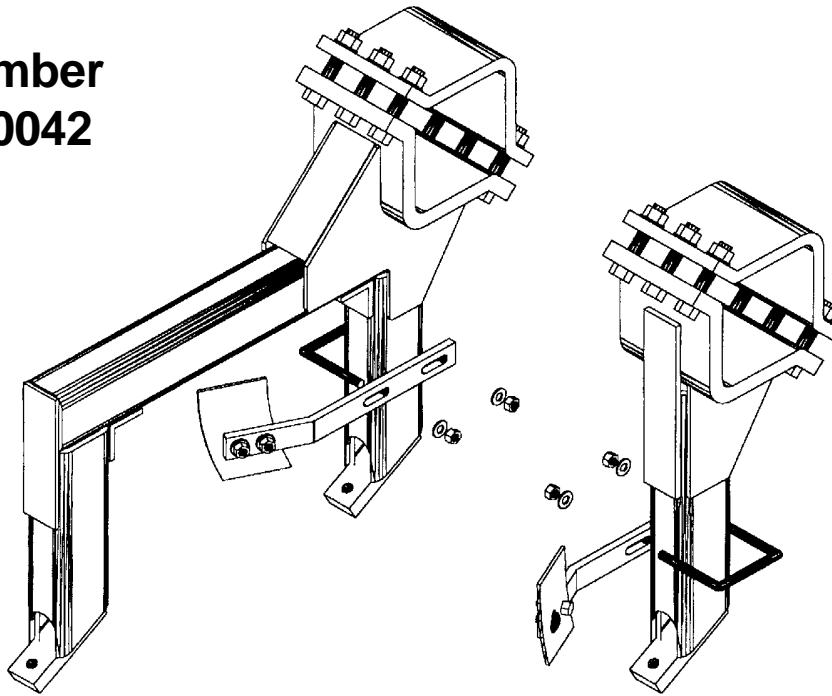
# SINGLE BEAM GANG ASSEMBLY 1½" SQ. AXLE DISK BEDDER



<u>Item No.</u>	<u>Part No.</u>	<u>Wt. Lbs.</u>	<u>Description</u>	<u>Qty. Req'd for One Gang</u>
1	478302	8¾	Bedder Axle -- 1½" .....	1
2	203720	8¾	Bumper Washer -- 1½" Axle Bedder .....	1
3	473046	17¼	20" x 5MM Plain Disk Blade -- 1½" Sq. Ctr. Hole .....	1
4	203713	7¼	Convex End Bell -- 1½" Axle Bedder .....	1
5	204500	15¾	Bearing Housing -- SB 1½" Sq. Axle DB .....	1
-	414800	-	Set Screw -- 1/4" - 28 x 3/8" Headless w/Slot - PF .....	2
-	450109	-	Grease Fitting -- 1/4" - 28 .....	2
6	481213	2½	Bearing -- 1½" Sq. Bore - Peer - GW211PPB3 .....	2
7	203716	½	Bearing Spacer -- 1½" Axle Bedder .....	1
8	483393	-	Retaining Ring -- LP & 1½" Axle Bedder .....	2
9	203717	7½	Concave End Bell -- 1½" Axle Bedder .....	1
10	473044	14¼	18" x 5MM Plain Disk Blade -- 1½" Sq. Ctr Hole .....	1
11	478029	4¾	Axle Washer -- 1½" Bedder .....	1
12	410032	1	Lock Nut -- 1½" NF - Top Lock - Zinc .....	1
13	411811	¼	Hex Bolt -- 5/8" x 2¾" NC - Gr 8 - Zinc .....	2
-	412010	-	Hex Nut -- 5/8" - 11 - Gr 2 - Zinc .....	2
-	413510	-	Lock Washer -- 5/8" - Zinc .....	2

# SINGLE BEAM BEDDER SCRAPERS -- PAIR

Number  
710042



<u>Part No.</u>	<u>Description</u>	<u>Quantity</u>	
		<u>8 Row</u>	<u>12 Row</u>
710040	Scraper Arm & Blade Assembly -- RH .....	8	12
710041	Scraper Arm & Blade Assembly -- LH .....	8	12
410008	Lock Nut -- 1/2" NC - Zinc .....	32	48
413008	Flat Washer -- 1/2" - Zinc .....	32	48
415115	1/2" Sq. U Bolt x 4" x 4-3/16" Leg .....	16	24



Quality Products from

## W & A MANUFACTURING COMPANY

P.O. Box 5238, Pine Bluff, Arkansas 71611

Phone: (870) 534-7420

Fax: (800) 336-1318

Website: [www.wamfgco.com](http://www.wamfgco.com)