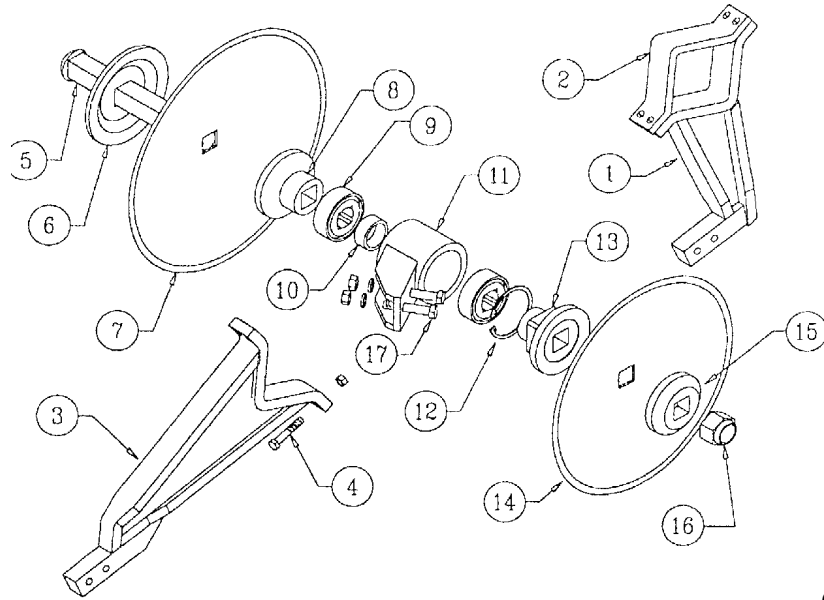


HIGH CLEARANCE WELDED BEAM 1½" SQ. AXLE DISK BEDDER



Item No.	Part No.	Wt. Lbs.	Description	Qty. Req'd. Per Row
1	301748	47¾	Front Beam -- 7 x 7 High Clearance Bedder	1
2	203770	10	Backing Plate -- 1½" Axle Bedder - 3/4" Bolts.....(7" Sq. Bar)	2
-	202320	10	Backing Plate -- 1½" Axle Bedder - 5/8" Bolts.....(7" Sq. Bar)	-
3	301749	68½	Rear Beam -- 7 x 7 High-Clearance Bedder	1
4	411591	¼	Hex Bolt -- 3/4" x 4" NC - Gr 5 - Zinc	8
-	410012	-	Lock Nut -- 3/4" NC - Gr 2 - Zinc	8
5	478302	8¾	Bedder Axle -- 1½" - 7 x 7 High Clearance Bedder	2
6	203720	8¾	Bumper Washer -- 1½" Axle Bedder	2
7	473046	17¼	20" x 5MM Plain Blade -- 1½" Sq. Ctr. Hole	2
8	203713	7¼	Convex End Bell -- 1½" Axle Bedder	2
9	481213	2½	Bearing -- 1½" Sq. Bore - GW211PPB3	4
10	203716	½	Bearing Spacer -- 1½" Axle Bedder	2
11	203715	12½	Bearing Housing -- 1½" Axle Bedder	2
-	414800	-	Set Screw -- 1/4" 28 x 3/8" Headless w/Slot Plain Finish	4
-	450109	-	Grease Fitting -- 1/4" - 28	4
12	483393	-	Retaining Ring -- LP & 1½" Axle Bedder	6
13	203717	7½	Concave End Bell -- 1½" Axle Bedder	2
14	473044	14¼	18" x 5MM Plain Blade -- 1½" Sq. Ctr. Hole	2
15	478029	4¾	Axle Washer -- 1½" Bedder	2
16	410032	1	Lock Nut -- 1½" NF - Top Lock - Zinc	2
17	411566	½	Hex Bolt -- 5/8" x 4" NC - Gr 5 - Zinc	4
-	412010	-	Hex Nut -- 5/8" - 11 - Gr 2 - Zinc	4
-	413510	-	Lock Washer -- 5/8" - Zinc	4
N/I	710038		Pair of HD/HC Disk Bedder Scrapers -- 1½" Axle	
-	203773		Spacer (Backing Plate for Scrapers)	