

# W & A

## PARTS MANUAL



### 16 @ 30" ROW BUSTER/CRUMBLER STACKER LEVEL BANDER

Model No. 3690



*Quality Products from*

**W & A MANUFACTURING COMPANY**

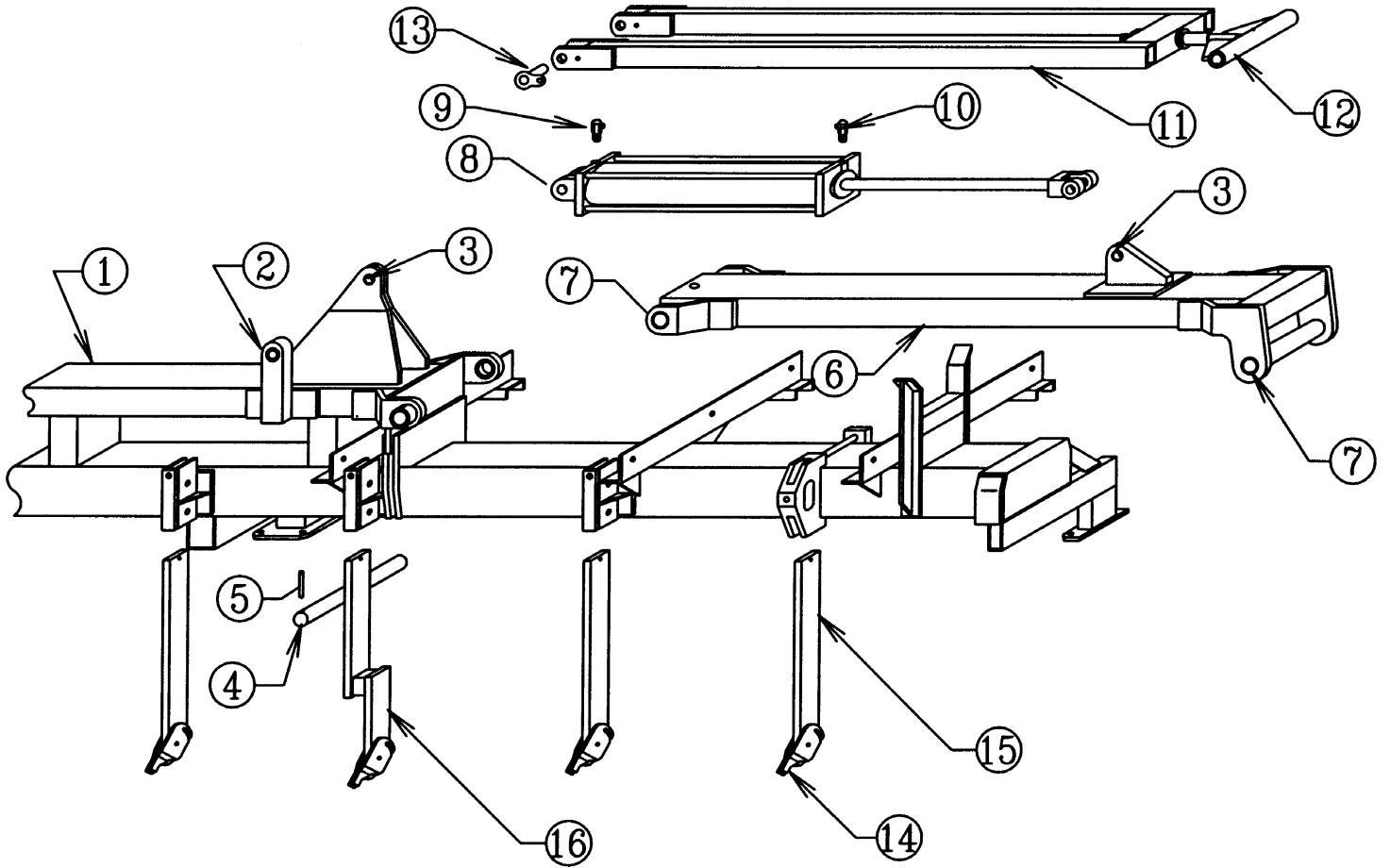
P.O. Box 5238, Pine Bluff, Arkansas 71611

Phone: (870) 534-7420

Fax: (800) 336-1318

Website: [www.wamfgco.com](http://www.wamfgco.com)

# CENTER SECTION



USE ONLY

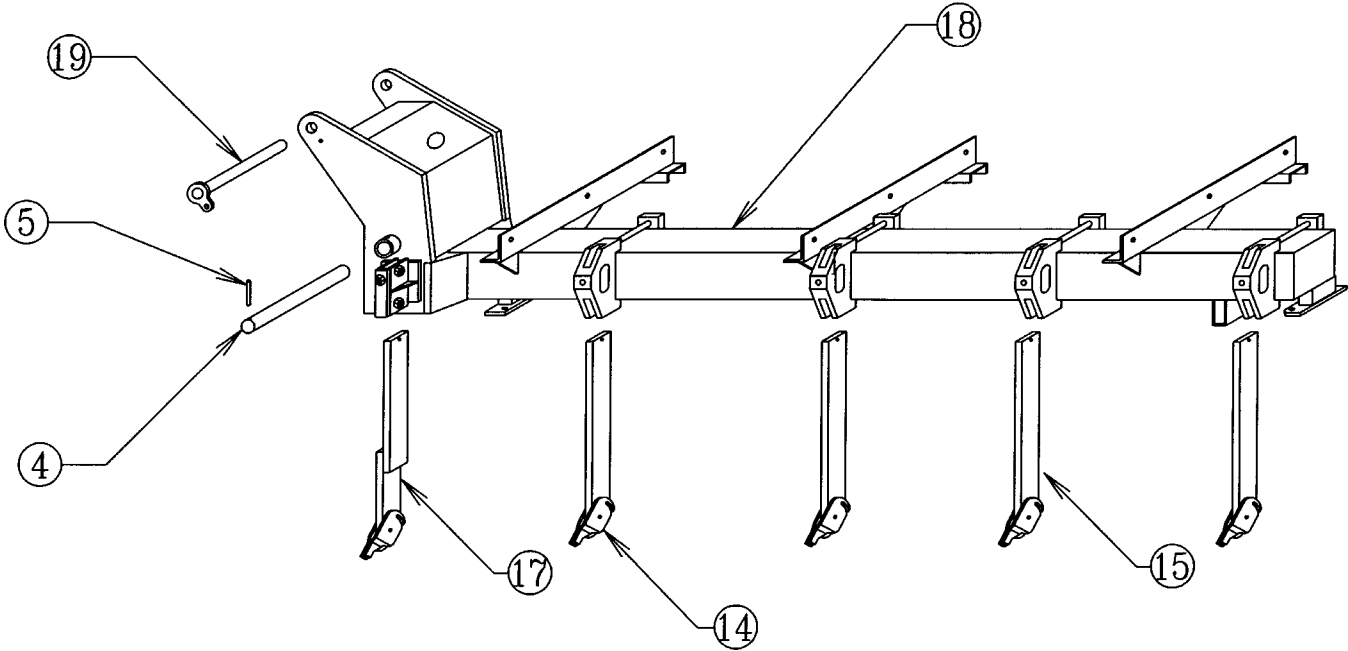


W & A REPLACEMENT PARTS

# CENTER SECTION

Item No.	Part No.	Wt. Lbs.	Description	Qty. Req'd for 1 Machine
1	301910	1715	Center Section .....	1
2	401084	¼	Form 1 Bushing -- 1-1/2" OD x 1-1/4" ID x 1-1/2" Long .....	4
3	401080	¼	Form 1 Bushing -- 1-1/2" OD x 1-1/4" ID x 1" Long .....	4
4	203948	14¼	2" Pivot Pin x 16-1/4" .....	4
-	413124	-	Machine Washer -- 3" OD x 2" ID x 10 Ga .....	8
5	416133	-	Roll Pin -- 1/2" x 3-1/2" - Zinc .....	4
6	301802	265	Power Arm -- Top Leveling Stacker .....	2
7	401118	½	Bushing -- 2.376" OD x 2.006" ID x 2" Long .....	8
-	450004	-	1/4" Drive-in Grease Fitting .....	4
8	476029	126	Hydraulic Cylinder -- 5" x 30" (w/Pins) .....	2
-	477056	-	Seal Kit -- 5" x 24" & 5" x 30" Lion Cyl. 2" Rod (for above Cyl)	-
9	446188	¼	1/2" x 1/2" Swivel Orifice Elbow .....	2
10	446188	¼	1/2" x 1/2" Swivel Orifice Elbow .....	2
-	785103	½	3/8" Hydraulic Hose x 103" .....	2
-	785120	½	3/8" Hydraulic Hose x 120" .....	2
11	301820	88	Leveling Arm -- For 1½" Dia. Rod .....	2
12	301819	19¾	Leveling Arm End with Lock Nut -- 1½" Dia. Rod .....	2
-	410032	1	Lock Nut -- 1-1/2" NF Top Lock - Zinc .....	2
-	412024	¾	Hex Nut -- 1-1/2" - 6 - Gr 2 - Zinc .....	2
-	413120	-	Machine Washer -- 2-1/4OD x 1-1/2" ID x 10 Ga .....	2
-	450004	-	1/4" Drive-in Grease Fitting .....	2
-	401095	-	Form 1 Bushing -- 1-7/8" OD x 1-1/2" ID x 1" Long .....	4
13	301824	1¾	Small Pin -- 1-1/4" x 2-1/2" Stacker Bar .....	4
-	411545	-	Hex Bolt -- 1/2" x 1-1/2" NC - Gr 5 - Zinc .....	4
-	413008	-	Flat Washer -- 1/2" - Zinc .....	4
-	413508	-	Lock Washer -- 1/2" - Zinc .....	4
14	479075	6½	Friction Trip Foot (See Page 5)	
15	204210	25	Vertical Shank C1080 (See Page 5)	
16	302003	28	3" Offset Shank – LH (Shown) (See Page 5)	
-	302002	28	3" Offset Shank – RH (See Page 5)	
17	302000	29	5" Offset Shank – RH (See Page 5)	
-	302001	29	5" Offset Shank – LH (See Page 5)	

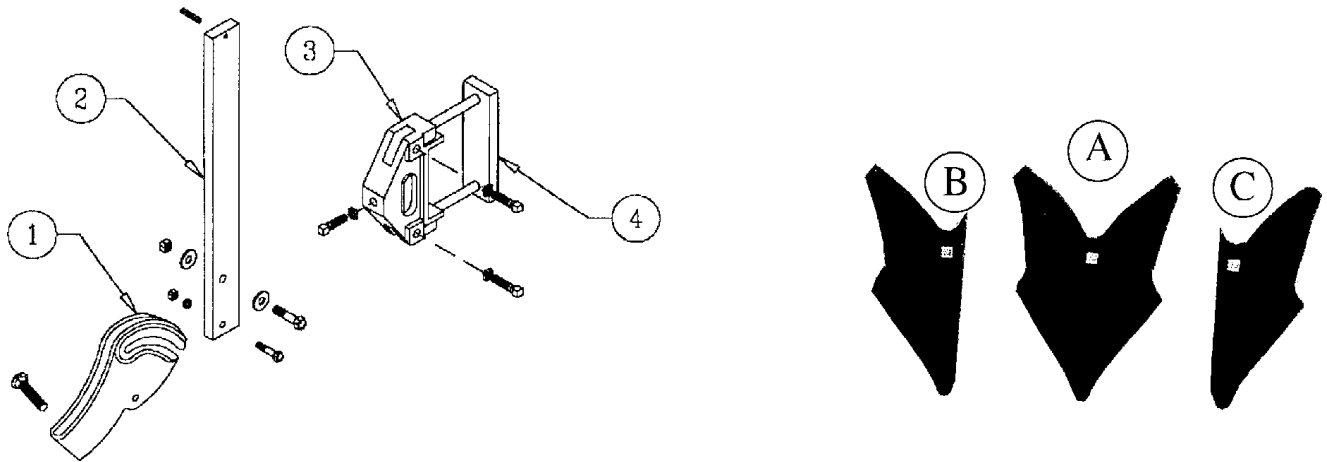
# WING



<u>ITEM NO.</u>	<u>PART NO.</u>	<u>WT. LBS.</u>	<u>DESCRIPTION</u>	<u>QTY. REQ'D FOR 1 MACHINE</u>
4	203948	14¼	2" Pivot Pin x 16-1/4" .....	4
-	413124	-	Machine Washer -- 3" OD x 2" ID x 10 Ga. ....	8
5	416133	-	Roll Pin -- 1/2" x 3-1/2" - Zinc .....	4
14	479075	6½	Friction Trip Foot (See Page 5)	
15	204210	25	Vertical Shank C1080 (See Page 5)	
17	302035	27¾	1" Offset Shank – LH (See Page 5)	
-	302034	27¾	1" Offset Shank – RH (Shown) (See Page 5)	
18	301912	635	Wing – LH (Shown) .....	1
-	301911	635	Wing – RH .....	1
19	301825	8	Top Pin -- Top Leveling Stacker .....	2
-	411545	-	Hex Bolt -- 1/2" x 1-1/2" NC - Gr. 5 - Zinc .....	2
-	413008	-	Flat Washer -- 1/2" - Zinc .....	2
-	413508	-	Lock Washer -- 1/2" - Zinc .....	2



# BOLT-ON SHANK HOLDERS



<u>ITEM NO.</u>	<u>PART NO.</u>	<u>WT. LBS.</u>	<u>DESCRIPTION</u>	<u>QTY. REQ'D FOR 16 ROW MACHINE</u>
1	479075	6½	Friction Trip Foot .....	17
-	411549	-	Hex Bolt -- 1/2" x 2-1/2" NC - Gr. 5 - Zinc.....	17
-	411563	½	Hex Bolt -- 5/8" x 3" NC - Gr. 5 - Zinc.....	17
-	411794	½	Carriage Bolt -- 3/4" x 3-1/2" NC - Gr. 5 - Zinc .....	17
-	410009	-	Lock Nut -- 5/8" NC - Zinc.....	17
-	410012	-	Lock Nut -- 3/4" NC - Zinc.....	17
-	412008	-	Hex Nut -- 1/2" - 13 - Gr. 2 - Zinc .....	17
-	413056	-	Flat Washer, Heavy -- 5/8" - Zinc .....	34
-	413058	-	Flat Washer, Heavy -- 3/4" - Zinc .....	17
-	413508	-	Lock Washer -- 1/2" - Zinc.....	17
2	204210	25	Vertical Shank C1080 .....	13
-	416120	-	Roll Pin -- 3/8" x 2" - Zinc .....	17
3	479069	13½	Bolt-On Shank Holder -- 7" Tool Bar.....	10
-	414828	-	Square Head Set Screw -- 5/8" x 1-3/4".....	51
-	412310	-	Square Nut -- 5/8" - 11 - Gr. 2 - Zinc.....	30
-	412410	-	Jam Nut -- 5/8" - 11 - Gr. 2 - Zinc .....	51
4	204274	9	Backing Plate for Bolt-on Shank Holder 7" .....	10
-	411601	1¼	Hex Bolt -- 3/4" x 8-1/2" NC - Gr. 5 - Zinc.....	20
-	412012	-	Hex Nut -- 3/4" - 10 - Gr. 2 - Zinc .....	20
-	413512	-	Lock Washer -- 3/4" - Zinc.....	20
N/I	302034	25¼	1" Offset Shank – RH.....	1
N/I	302035	25¼	1" Offset Shank – LH .....	1
N/I	302002	28	3" Offset Shank – RH.....	1
N/I	302003	28	3" Offset Shank – LH .....	1
A	474031	7¼	#11N Furrower.....(11" Top Width).....	15
B	204215		#11N End Furrower -- RH.....	1
C	204216		#11N End Furrower -- LH .....	1

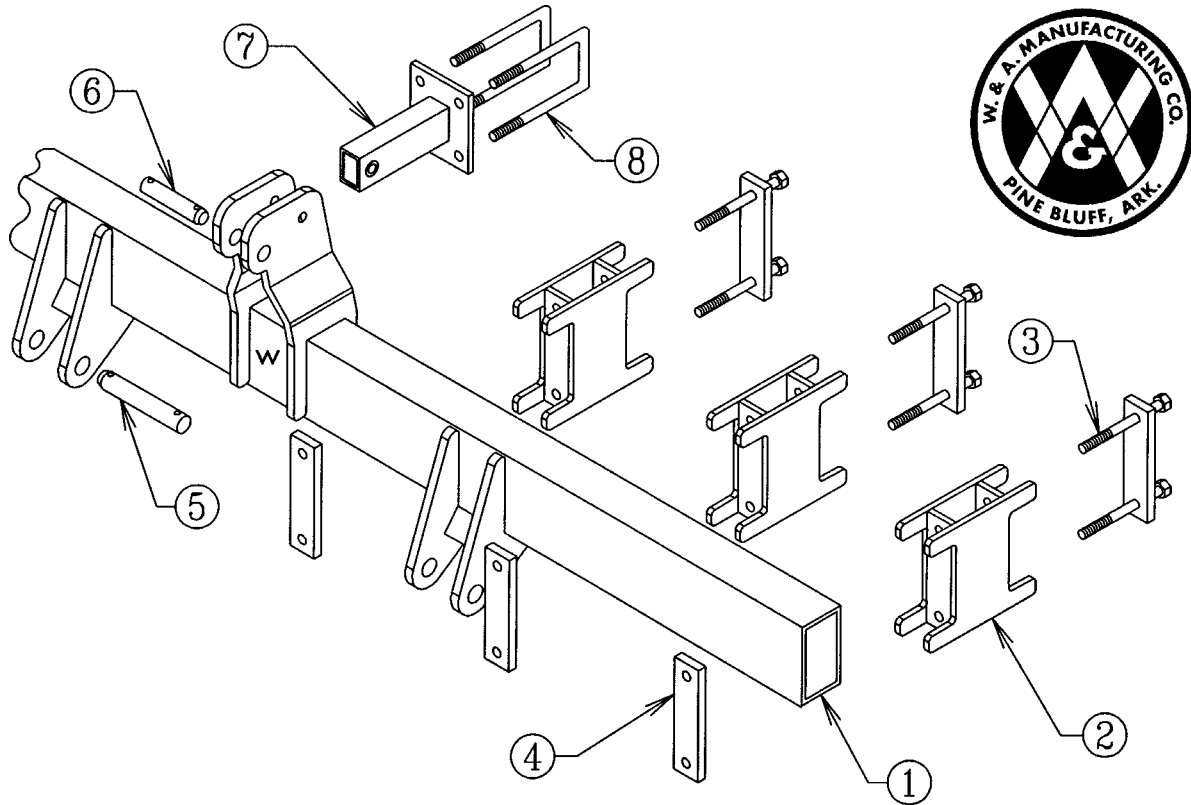
**NOTE:** On 16@ 30" Row Stack Buster Level Bander -- FIVE Shank Holders are welded on frame and ONE Shank Holder welded on each Wing Frame.

# DIAMOND CRUMBLER REEL



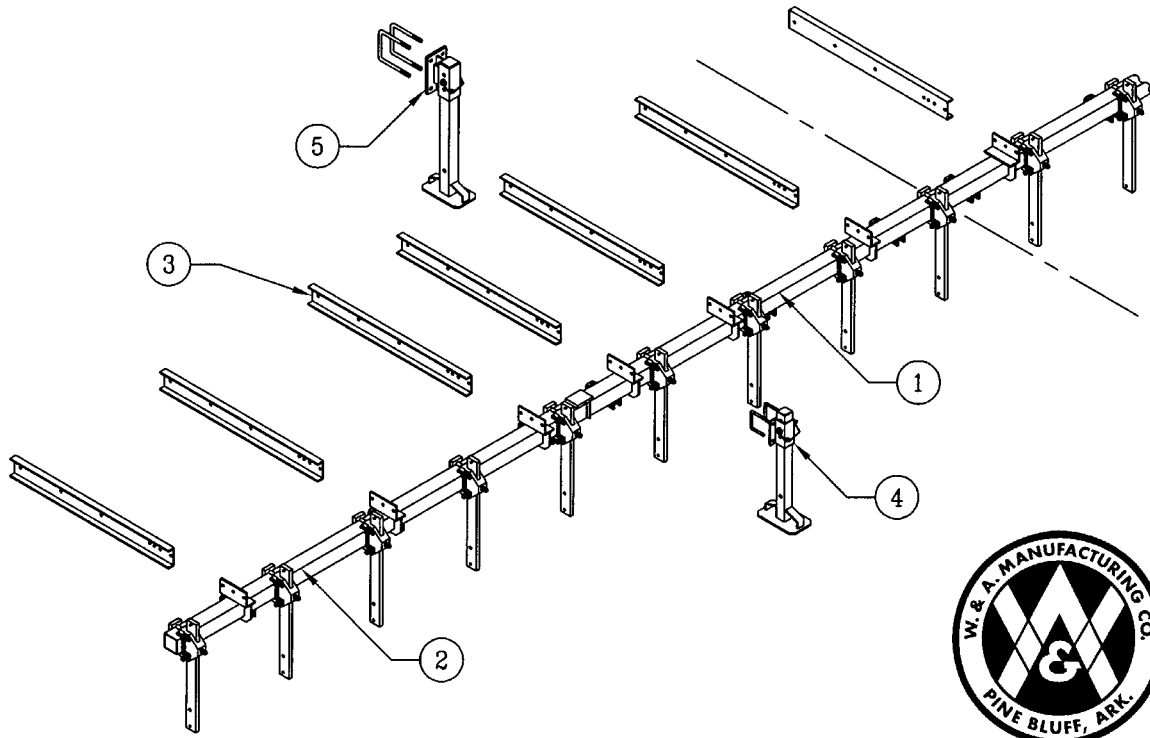
<u>ITEM NO.</u>	<u>PART NO.</u>	<u>WT. LBS.</u>	<u>DESCRIPTION</u>	<u>QTY. REQ'D FOR 1 MACHINE</u>
1	770088	558	Complete 110" Dia. Crumbler Reel w/Bearings .....	4
-	302305	550	110" Diamond Crumbler Reel Only .....	4
2	482101	4	1-15/16" Pillow Block & Bearing Complete .....	8
-	481215	1	1-15/16" Bearing w/Lock Collar #G1115-KRRB-S1115K .....	-
-	480006	3	Pillow Block for 1-15/16" Bearing .....	-
-	411562	¼	Hex Bolt -- 5/8" x 2-1/2" NC - Gr 5 - Zinc .....	16
-	410009	-	Lock Nut -- 5/8" NC - Zinc .....	16
-	413010	-	Flat Washer -- 5/8" - Zinc .....	16

# HITCH ASSEMBLY



<u>ITEM NO.</u>	<u>PART NO.</u>	<u>WT. LBS.</u>	<u>DESCRIPTION</u>	<u>QTY. REQ'D FOR 1 HITCH</u>
1	301869	374	Extended Hitch -- 16 @ 30" Stacker Level Bander .....	1
2	302014	25	5" Spacer Block -- Top Leveling Stacker .....	6
3	203960	5	Backing Plate -- Top Leveling Stacker .....	6
-	411604	1¼	Hex Bolt -- 3/4" x 10" NC - Gr 5 - Zinc (Back Plate) .....	12
-	412012	-	Hex Nut -- 3/4" - 10 - Gr 2 - Zinc (Back Plate) .....	29
-	413512	-	Lock Washer -- 3/4" - Zinc (Back Plate) .....	29
4	203960	5	Backing Plate -- Top Leveling Stacker .....	6
-	411598	½	Hex Bolt -- 3/4" x 6-1/2" NC - Gr 5 - Zinc (Front Plate) ....	12
5	200876	3¾	Hardened Pull Pin -- 1-7/16" x 8-3/8" - Zinc .....	2
-	416207	-	Klik Pin -- 7/16" - Zinc .....	2
-	416133	-	Roll Pin -- 1/2" x 3-1/2" - Zinc .....	2
6	200853	2	Hardened Top Link Pin -- 1-1/4" x 5-15/16" - Zinc .....	1
-	416207	-	Klik Pin -- 7/16" - Zinc .....	1
-	416120	-	Roll Pin -- 3/8" x 2" - Zinc .....	1
7	301836	11	Top Connector, 5" Spacer - Hitch Assm .....	1
-	411822	¾	Hex Bolt -- 3/4" x 5" NC - Gr 8 - Zinc .....	1
8	415006	2	3/4" Sq. U-Bolt x 4" x 8-1/2" Leg - Gr. 5 .....	2

# REAR BASKET FRAME

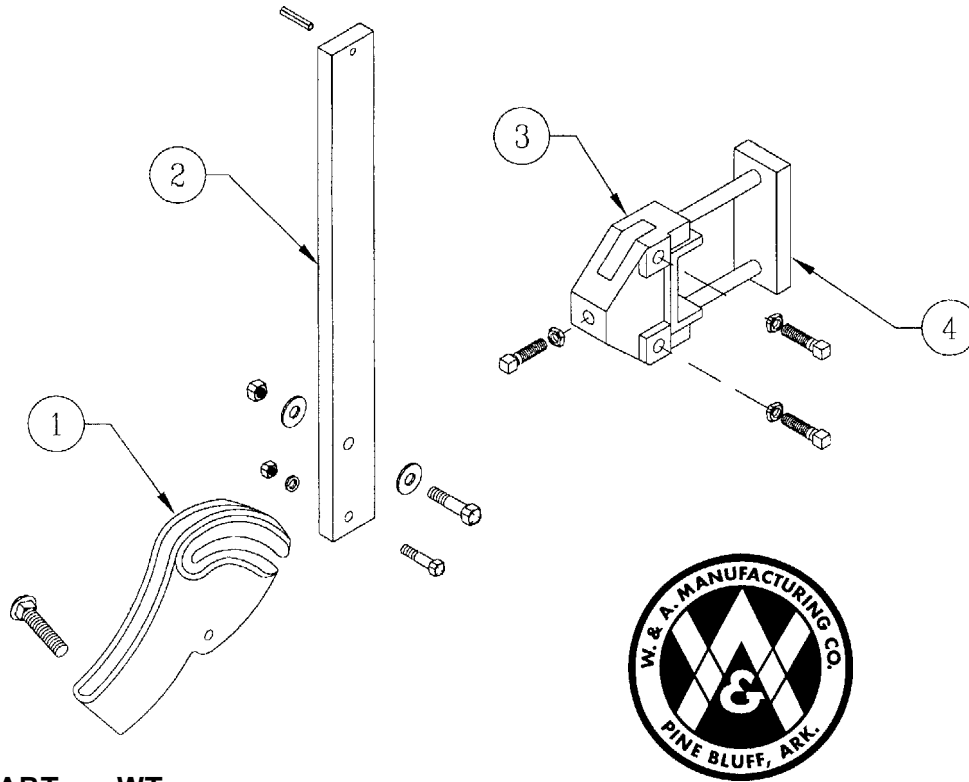


<u>ITEM NO.</u>	<u>PART NO.</u>	<u>WT. LBS.</u>	<u>DESCRIPTION</u>	<u>QTY REQ'D</u>
1	302216	321	Center Clamp and Basket Holder (227-1/4" Tube) .....	1
2	302214	181	RH Wing Holder (128-1/2" Tube) .....	1
-	302215	181	LH Wing Holder (128-1/2" Tube) Shown .....	1
3	204023	27½	Connecting Channel -- 5" x 51" with 7 Holes .....	12
-	411560	¼	Hex Bolt -- 5/8" x 1-1/2" NC - Gr. 2 - Zinc .....	72
-	410009	-	Lock Nut -- 5/8" NC - Zinc .....	72
4	773976	76	Rear Mount Parking Stand Assembly (Pair) .....	1
-	301860	7½	Rear Parking Stand Bracket for 4" Sq. Tube .....	2
-	302233	26½	Parking Stand Leg (2½" Sq. Tube x 36") .....	2
-	415010	1	5/8" Sq. U-Bolt x 4" x 5-1/4" Leg .....	4
-	412010	-	Hex Nut -- 5/8" - 11 - Gr. 2 - Zinc .....	8
-	413510	-	Lock Washer -- 5/8" - Zinc .....	8
-	416230	¾	3/4" Safety Lock Pin x 5-1/2" OAL - Zinc .....	2
5	773961	114	Front Mount Parking Stand Assembly (Pair) .....	1
-	302222	19½	Front Parking Stand Bracket .....	2
-	302232	30½	Parking Stand Leg (3" Sq. Tube x 36") .....	2
-	415004	2½	3/4" Sq. U-Bolt x 7" x 9" Leg .....	4
-	412012	-	Hex Nut -- 3/4" - 10 - Gr. 2 - Zinc .....	8
-	413512	-	Lock Washer -- 3/4" - Zinc .....	8
-	416230	¾	3/4" Safety Lock Pin x 5-1/2" OAL - Zinc .....	2



# 4" BOLT-ON SHANK HOLDER

## Optional

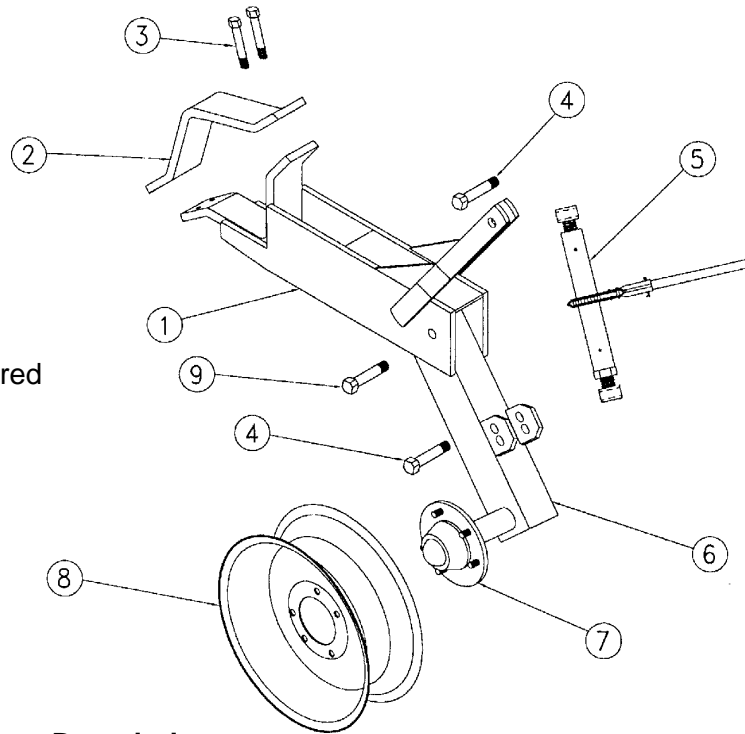


<u>ITEM NO.</u>	<u>PART NO.</u>	<u>WT. LBS.</u>	<u>DESCRIPTION</u>	<u>QTY. REQ'D</u>
1	479075	6½	Friction Trip Foot .....	17
-	411549	-	Hex Bolt -- 1/2" x 2-1/2" NC - Gr. 5 - Zinc .....	17
-	411563	½	Hex Bolt -- 5/8" x 3" NC - Gr. 5 - Zinc .....	17
-	411794	½	Carriage Bolt -- 3/4" x 3-1/2" NC - Gr. 5 - Zinc .....	17
-	410009	-	Lock Nut -- 5/8" NC - Zinc .....	17
-	410012	-	Lock Nut -- 3/4" NC - Zinc .....	17
-	412008	-	Hex Nut -- 1/2" - 13 - Gr. 2 - Zinc .....	17
-	413056	-	Flat Washer, Heavy -- 5/8" - Zinc .....	34
-	413058	-	Flat Washer, Heavy -- 3/4" - Zinc .....	17
-	413508	-	Lock Washer -- 1/2" - Zinc .....	17
2	204210	25	Vertical Shank C1080 .....	15
-	416120	-	Roll Pin -- 3/8" x 2" - Zinc .....	17
3	479065	10¼	Bolt-On Shank Holder - 4" Tool Bar .....	17
-	414828	-	Square Head Set Screw -- 5/8" x 1-3/4" .....	51
-	412010	-	Hex Nut -- 5/8" - 11 - Gr. 2 - Zinc .....	51
-	412410	-	Jam Nut -- 5/8" - 11 - Gr. 2 - Zinc .....	51
4	204275	6	Backing Plate for Bolt-on Shank Holder - 4" .....	17
-	411595	7¾	Hex Bolt -- 3/4" x 5-1/2" NC - Gr. 5 - Zinc .....	34
-	412012	-	Hex Nut -- 3/4" - 10 - Gr. 2 - Zinc .....	34
-	413512	-	Lock Washer -- 3/4" - Zinc .....	34
N/I	302002	28	3" Offset Shank - RH .....	1
N/I	302003	28	3" Offset Shank - LH .....	1
N/I	474031	7¼	#11N Furrower .....	17

# GAUGE WHEEL

**No. 1338  
& 1339**

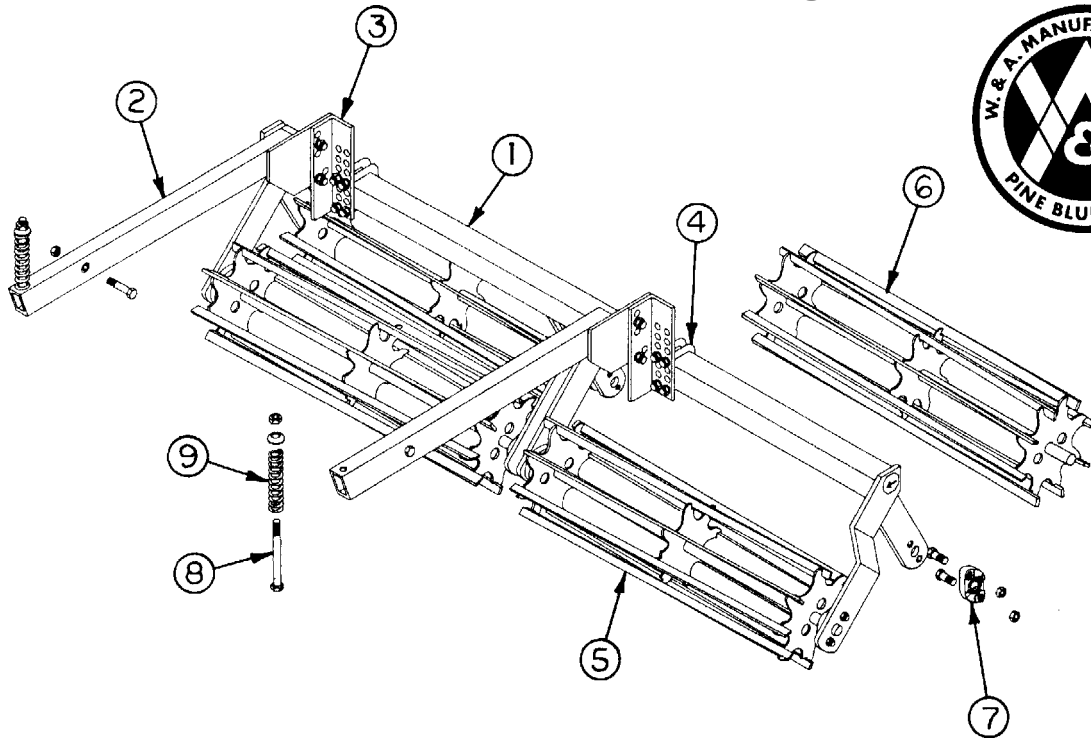
1 Pair of Each Required



<u>Item No.</u>	<u>Part No.</u>	<u>Wt. Lbs.</u>	<u>Description</u>	<u>Qty. Req. for 1 Assembly</u>
1	302225	60	Holder - Gauge Wheels .....	1
2	203770	10	Backing Clamp for 7" Sq. Bar .....	1
3	411591	½	Hex Bolt -- 3/4" x 4" NC - Gr 5 - Zinc .....	4
-	412012	-	Hex Nut -- 3/4" - 10 - Gr 2 - Zinc .....	6
-	413512	-	Lock Washer -- 3/4" - Zinc .....	6
4	411591	½	Hex Bolt -- 3/4" x 4" NC - Gr 5 - Zinc .....	2
5	302025	11½	Ratchet Crank Assembly .....	1
6	302226	34¾	RH Leg w/Hub -- #1338 Gauge Wheel (Shown) .....	1
-	302227	34¾	LH Leg w/Hub -- #1338 Gauge Wheel .....	1
-	302228	38¾	RH 3" Offset Leg w/Hub -- #1339 Gauge Wheel .....	1
-	302229	38¾	LH 3" Offset Leg w/Hub -- #1339 Gauge Wheel .....	1
7	491119	11	5 Hole Hub Complete - Q-719 .....	1
-	491007	9¾	Hub w/Cups Only - Q-719 .....	1
-	481205	¼	Cone - Q809 & Q719 - LM67048 .....	1
-	496010	-	Outer Cup - Q809 & Q719 - LM67010 .....	1
-	481204	¼	Cone - Q809 & Q719 - LM48548 .....	1
-	496011	-	Inner Cup - Q809 & Q719 - LM48510 .....	1
-	497010	-	Grease Seal - Q719 - CR 15190 .....	1
-	490006	¼	Hub Cap - Q809 & Q719 .....	1
-	490015	-	1/2" NF Lug Nut .....	5
-	490017	-	Drive-In Hub Bolt - Q719 .....	5
-	412164	-	Slotted Nut -- 7/8" - 14 Spindle .....	1
-	490034	-	Spindle Washer -- 7/8" - Q875/Q809/Q719 .....	1
8	493007	17	15" x 5" x 5 Hole Wheel .....	1
9	411594	¾	Hex Bolt -- 3/4" x 5" NC - Gr 5 - Zinc .....	1
-	412012	-	Hex Nut -- 3/4" - 10 - Gr 2 - Zinc .....	1
-	413512	-	Lock Washer -- 3/4" - Zinc .....	1

# ROLLING BASKETS

## 1 1/4" Shaft and Bearings



<u>ITEM NO.</u>	<u>PART NO.</u>	<u>WT. LBS.</u>	<u>DESCRIPTION</u>	<u>QTY. REQ'D FOR 1 MACHINE</u>
1	301954	100	Four Basket Frame -- 1-1/4" Brg. (2 row)..... (Shown) .....	-
-	301955	150	Six Basket Frame -- 1-1/4" Brg. (3 Row) .....	4
2	301290	20 1/2	Arm -- Rolling Baskets .....	12
-	411551	-	Hex Bolt -- 1/2" x 3" NC - Gr 5 - Zinc .....	12
-	410008	-	Lock Nut -- 1/2" NC - Zinc .....	84
3	202729	5 1/2	Connecting Angle - Rolling Baskets .....	12
-	411545	-	Hex Bolt -- 1/2" x 1-1/2" NC - Gr 5 - Zinc .....	24
4	415108	1/2	1/2" U-Bolt x 2-1/2" x 4" Leg - Grade 5 .....	24
5	301948	41 1/4	Front Rolling Basket Only -- 1-1/4" Shaft .....	12
-	202749	2.7	Blade Only for Front Rolling Baskets .....	-
6	301949	41 1/4	Rear Rolling Basket Only -- 1-1/4" Shaft .....	12
-	202750	2.7	Blade Only for Rear Rolling Baskets .....	-
7	482024	2	1-1/4" Cast Flange Bearing Assm RB .....	48
-	481288	-	1-1/4" Bearing Only w/Lock Collar RB .....	-
-	411534	-	Hex Bolt -- 7/16" x 1-1/2" NC - Gr 5 - Zinc (Outside Bearings) ..	32
-	204145	-	Bearing Spacer (Inside Bearings) .....	16
-	411539	-	Hex Bolt -- 7/16" x 3-1/2" NC - Gr 5 - Zinc (Inside Bearings) .....	32
-	410007	-	Lock Nut -- 7/16" NC - Zinc .....	64
8	411237	1	Hex Bolt -- 5/8" x 8" NC - Gr 2 - Zinc .....	12
-	200412	-	Formed Head Holder .....	12
-	410009	-	Lock Nut -- 5/8" NC - Zinc .....	12
-	202350	-	Cup Washer for Spring .....	12
9	471006	1 1/2	Compression Spring .....	12

**USE ONLY**

**W & A REPLACEMENT PARTS**



**W & A Manufacturing Company**

1810 Ohio Street                      P.O. Box 5238  
**PINE BLUFF, ARKANSAS 71611**

**Phone (870) 534-7420**

**Fax (800) 336-1318**

***www.wamfgco.com***