

W & A

PARTS MANUAL



16 ROW @ 30" STACKER BUSTER LEVEL BANDER

Model No. 3670



Quality Products from

W & A MANUFACTURING COMPANY

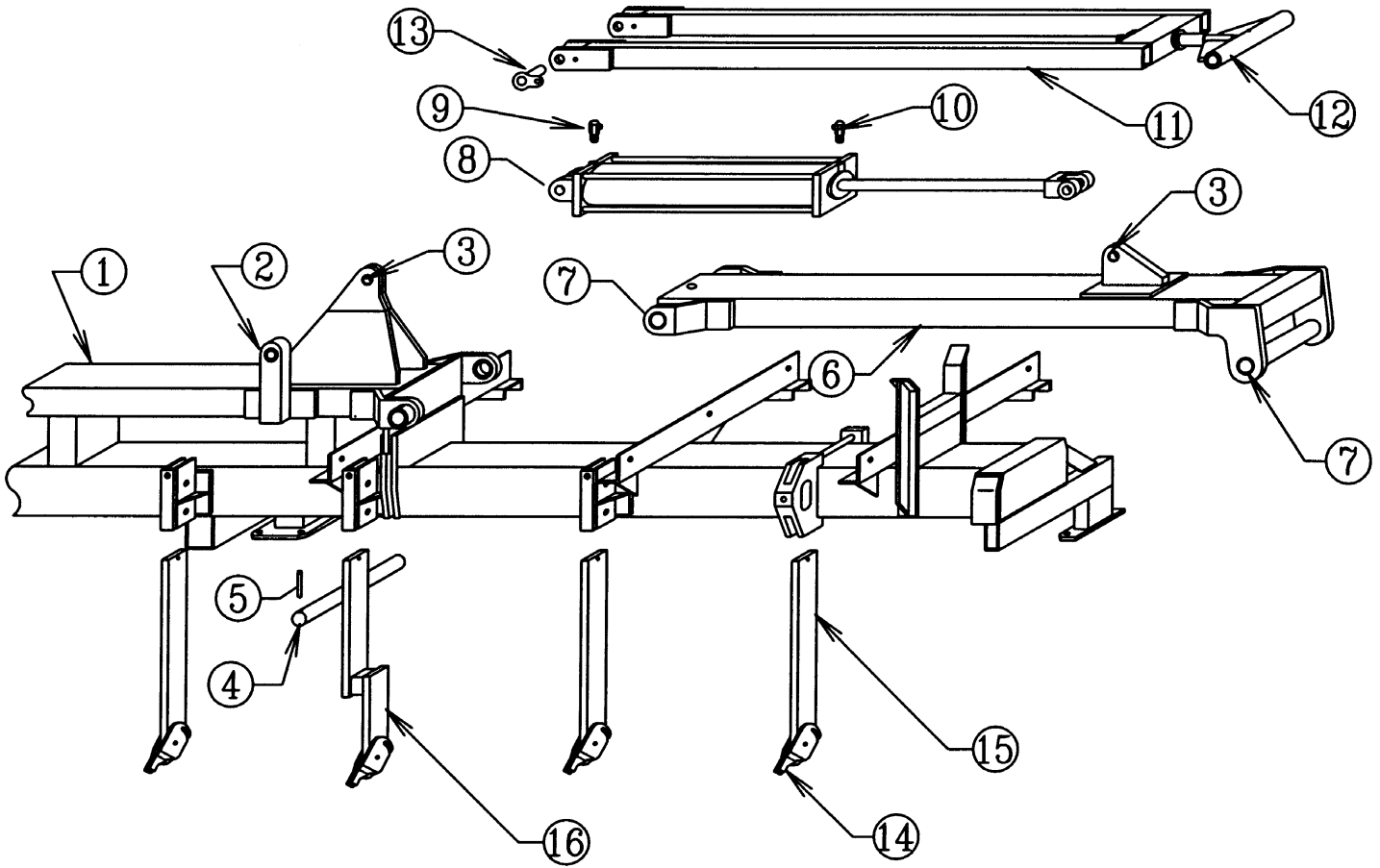
P.O. Box 5238, Pine Bluff, Arkansas 71611

Phone: (870) 534-7420

Fax: (800) 336-1318

Website: www.wamfgco.com

CENTER SECTION



USE ONLY

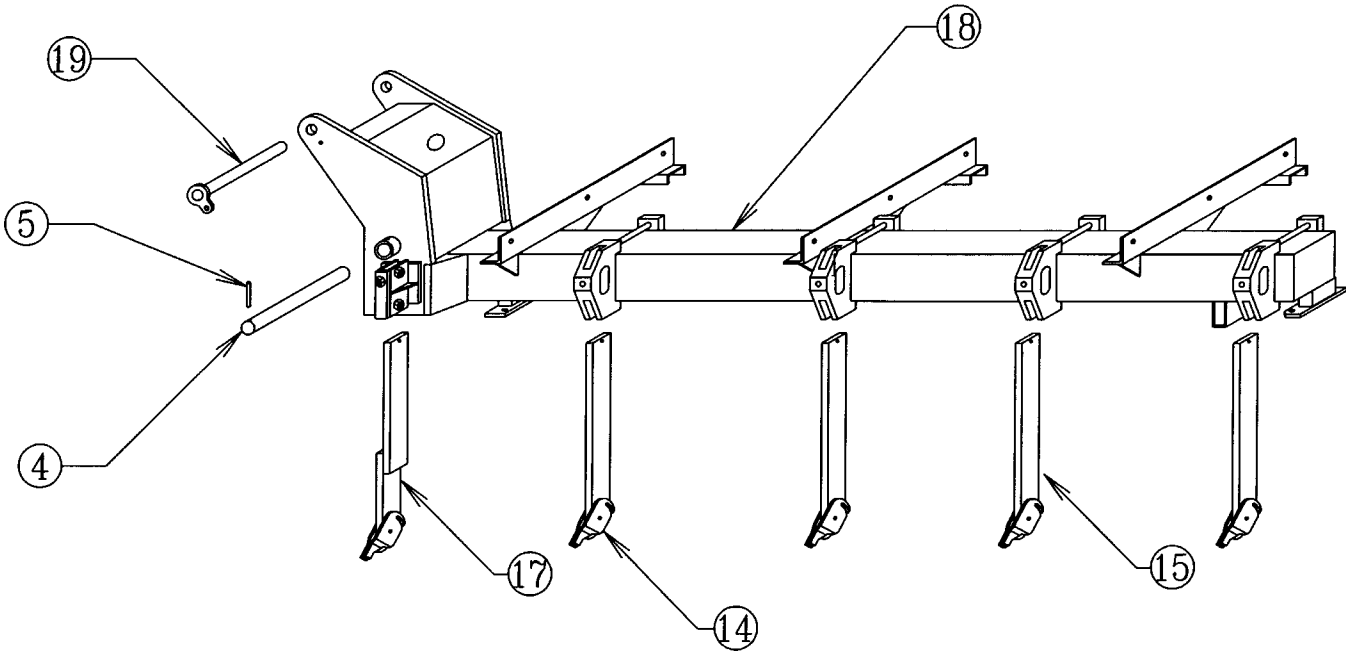


W & A REPLACEMENT PARTS

CENTER SECTION

Item No.	Part No.	Wt. Lbs.	Description	Qty. Req'd for 1 Machine
1	301910	1715	Center Section	1
2	401084	¼	Form 1 Bushing -- 1-1/2" OD x 1-1/4" ID x 1-1/2" Long	4
3	401080	¼	Form 1 Bushing -- 1-1/2" OD x 1-1/4" ID x 1" Long	4
4	203948	14¼	2" Pivot Pin x 16-1/4"	4
-	413124	-	Machine Washer -- 3" OD x 2" ID x 10 Ga	8
5	416133	-	Roll Pin -- 1/2" x 3-1/2" - Zinc	4
6	301802	265	Power Arm -- Top Leveling Stacker	2
7	401118	½	Bushing -- 2.376" OD x 2.006" ID x 2" Long	8
-	450004	-	1/4" Drive-in Grease Fitting	4
8	476029	126	Hydraulic Cylinder -- 5" x 30" (w/Pins)	2
-	477056	-	Seal Kit -- 5" x 24" & 5" x 30" Lion Cyl. 2" Rod (for above Cyl)	-
9	446188	¼	1/2" x 1/2" Swivel Orifice Elbow	2
10	446188	¼	1/2" x 1/2" Swivel Orifice Elbow	2
-	785103	½	3/8" Hydraulic Hose x 103"	2
-	785120	½	3/8" Hydraulic Hose x 120"	2
11	301820	88	Leveling Arm (For 1½" Dia. Rod)	2
12	301819	19¾	Leveling Arm End with Lock Nut -- 1½" Dia. Rod	2
-	410032	1	Lock Nut -- 1-1/2" NF Top Lock - Zinc	2
-	412024	¾	Hex Nut -- 1-1/2" - 6 - Gr 2 - Zinc	2
-	413120	-	Machine Washer -- 2-1/4" OD x 1-1/2" ID x 10 Ga	2
-	450004	-	1/4" Drive-in Grease Fitting	2
-	401095	-	Form 1 Bushing -- 1-7/8" OD x 1-1/2" ID x 1" Long	4
13	301824	1¾	Small Pin -- 1-1/4" x 2-1/2" Stacker Bar	4
-	411545	-	Hex Bolt -- 1/2" x 1-1/2" NC - Gr 5 - Zinc	4
-	413008	-	Flat Washer -- 1/2" - Zinc	4
-	413508	-	Lock Washer -- 1/2" - Zinc	4
14	479075	6½	Friction Trip Foot (See Page 5)	
15	204210	25	Vertical Shank C1080 (See Page 5)	
16	302003	28	3" Offset Shank -- LH (Shown) (See Page 5)	
-	302002	28	3" Offset Shank -- RH (See Page 5)	
17	302000	29	5" Offset Shank -- RH (See Page 5)	
-	302001	29	5" Offset Shank -- LH (See Page 5)	

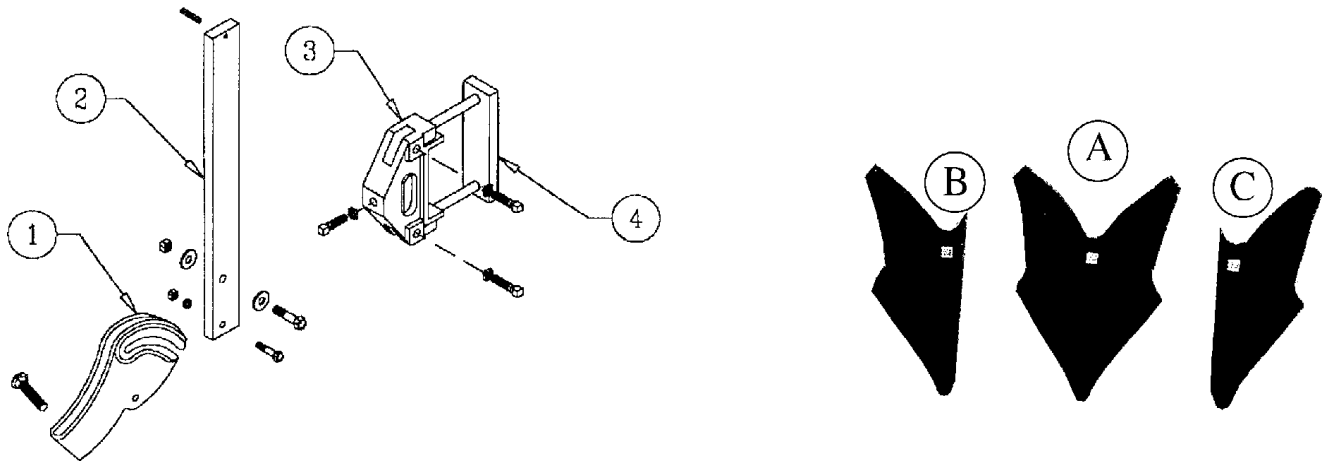
WING



<u>ITEM NO.</u>	<u>PART NO.</u>	<u>WT. LBS.</u>	<u>DESCRIPTION</u>	<u>QTY. REQ'D FOR 1 MACHINE</u>
4	203948	14¼	2" Pivot Pin x 16-1/4"	4
-	413124	-	Machine Washer -- 3" OD x 2" ID x 10 Ga.	8
5	416133	-	Roll Pin -- 1/2" x 3-1/2" - Zinc	4
14	479075	6½	Friction Trip Foot (See Page 5)	
15	204210	25	Vertical Shank C1080 (See Page 5)	
17	302035	27¾	1" Offset Shank – LH (See Page 5)	
-	302034	27¾	1" Offset Shank – RH (Shown) (See Page 5)	
18	301912	635	Wing – LH (Shown)	1
-	301911	635	Wing – RH	1
19	301825	8	Top Pin -- Top Leveling Stacker	2
-	411545	-	Hex Bolt -- 1/2" x 1-1/2" NC - Gr. 5 - Zinc	2
-	413008	-	Flat Washer -- 1/2" - Zinc	2
-	413508	-	Lock Washer -- 1/2" - Zinc	2



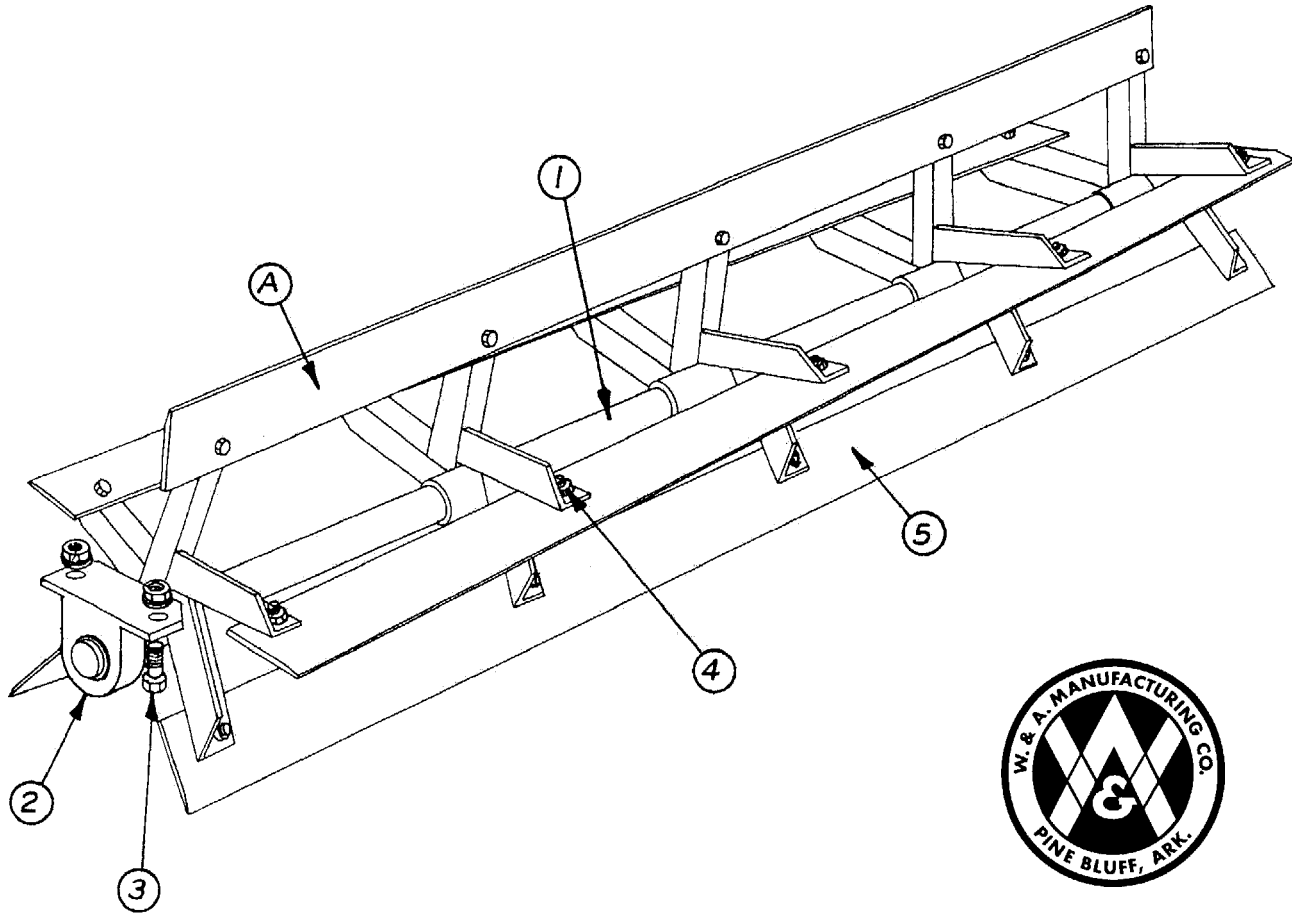
BOLT-ON SHANK HOLDERS



<u>ITEM NO.</u>	<u>PART NO.</u>	<u>WT. LBS.</u>	<u>DESCRIPTION</u>	<u>QTY. REQ'D FOR 16 ROW MACHINE</u>
1	479075	6½	Friction Trip Foot	17
-	411549	-	Hex Bolt -- 1/2" x 2-1/2" NC - Gr. 5 - Zinc	17
-	411563	½	Hex Bolt -- 5/8" x 3" NC - Gr. 5 - Zinc	17
-	411794	½	Carriage Bolt -- 3/4" x 3-1/2" NC - Gr. 5 - Zinc	17
-	410009	-	Lock Nut -- 5/8" NC - Zinc	17
-	410012	-	Lock Nut -- 3/4" NC - Zinc	17
-	412008	-	Hex Nut -- 1/2" - 13 - Gr. 2 - Zinc	17
-	413056	-	Flat Washer, Heavy -- 5/8" - Zinc	34
-	413058	-	Flat Washer, Heavy -- 3/4" - Zinc	17
-	413508	-	Lock Washer -- 1/2" - Zinc	17
2	204210	25	Vertical Shank C1080	13
-	416120	-	Roll Pin -- 3/8" x 2" - Zinc	17
3	479069	13½	Bolt-On Shank Holder - 7" Tool Bar	10
-	414828	-	Square Head Set Screw -- 5/8" x 1-3/4"	51
-	412310	-	Square Nut -- 5/8" - 11 - Gr. 2 - Zinc	30
-	412410	-	Jam Nut -- 5/8" - 11 - Gr. 2 - Zinc	51
4	204274	9	Backing Plate for Bolt-on Shank Holder 7"	10
-	411601	1¼	Hex Bolt -- 3/4" x 8-1/2" - Gr. 5 - Zinc	20
-	412012	-	Hex Nut -- 3/4" - 10 - Gr. 2 - Zinc	20
-	413512	-	Lock Washer -- 3/4" - Zinc	20
N/I	302034	25¼	1" Offset Shank – RH	1
N/I	302035	25¼	1" Offset Shank – LH	1
N/I	302002	28	3" Offset Shank – RH	1
N/I	302003	28	3" Offset Shank – LH	1
A	474031	7¼	#11N Furrower.....(11" Top Width)	15
B	204215		#11N End Furrower -- RH	1
C	204216		#11N End Furrower -- LH	1

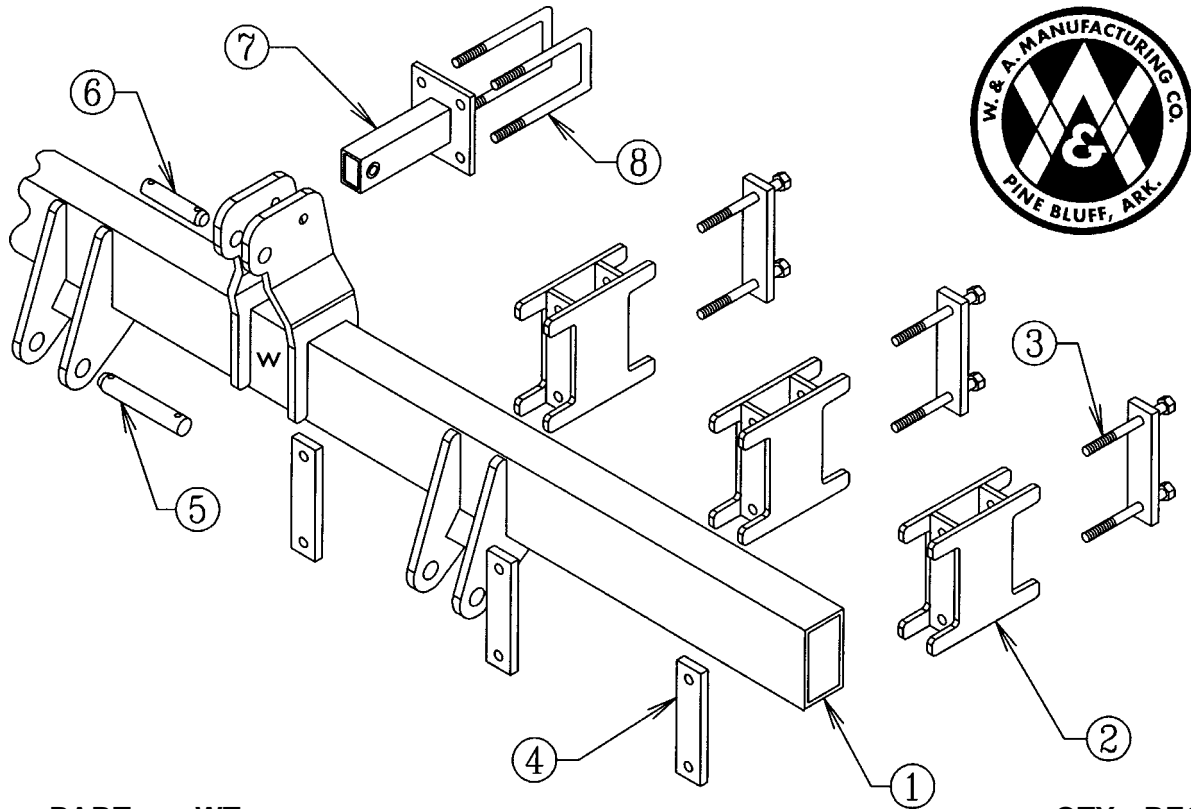
NOTE: On 16 @ 30" Row Stack Buster Level Bander -- FIVE Shank Holders are welded on frame and ONE Shank Holder welded on each Wing Frame.

REEL



<u>ITEM NO.</u>	<u>PART NO.</u>	<u>WT. LBS.</u>	<u>DESCRIPTION</u>	<u>QTY. REQ'D FOR 1 MACHINE</u>
A	770022	350	Spiral 110" Reel Complete w/Bearings	4
1	301068	191	1-15/16" x 118" Shaft w/7 support brackets only	4
2	482101	4	1-15/16" Pillow Block & Bearing Complete	8
-	481215	1	1-15/16" Bearing w/Lock Collar #G1115-KRRB-S1115K	-
-	480006	3	Pillow Block for 1-15/16" Bearing	-
3	411562	¼	Hex Bolt -- 5/8" x 2-1/2" NC - Gr. 5 - Zinc	16
-	410009	-	Lock Nut -- 5/8" NC - Zinc	16
-	413010	-	Flat Washer -- 5/8" - Zinc	16
4	411211	-	Hex Bolt -- 5/8" x 1-1/4" NC - Gr. 2 - Zinc	140
-	410009	-	Lock Nut -- 5/8" NC - Zinc	140
5	202180	32	Spiral Pulvamerizer Blade x 110"...(9/32" x 4" x 110")	20

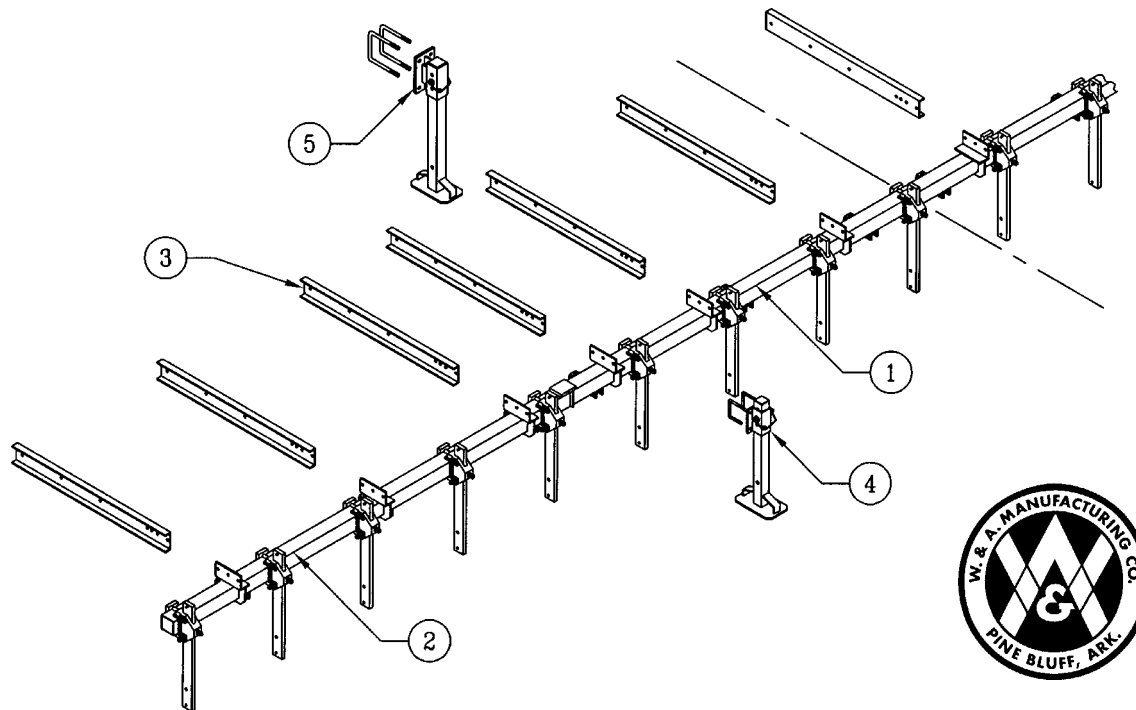
HITCH ASSEMBLY



<u>ITEM NO.</u>	<u>PART NO.</u>	<u>WT. LBS.</u>	<u>DESCRIPTION</u>	<u>QTY. REQ'D FOR 1 HITCH</u>
1	301869	374	Extended Hitch -- 16 @ 30" Stacker Level Bander	1
2	302014	25	5" Spacer Block - Top Leveling Stacker	6
3	203960	5	Backing Plate - Top Leveling Stacker	6
-	411604	1¼	Hex Bolt -- 3/4" x 10" - Gr 5 - Zinc (Back Plate)	12
-	412012	-	Hex Nut -- 3/4" - 10 - Gr 2 - Zinc (Back Plate)	29
-	413512	-	Lock Washer -- 3/4" - Zinc (Back Plate)	29
4	203960	5	Backing Plate -- Top Leveling Stacker	6
-	411598	½	Hex Bolt -- 3/4" x 6-1/2" NC - Gr 5 - Zinc (Front Plate)	12
5	200876	3¾	Hardened Pull Pin -- 1-7/16" x 8-3/8" - Zinc	2
-	416207	-	Klik Pin -- 7/16" - Zinc	2
-	416133	-	Roll Pin -- 1/2" x 3-1/2" - Zinc	2
6	200853	2	Hardened Top Link Pin -- 1-1/4" x 5-15/16" - Zinc	1
-	416207	-	Klik Pin -- 7/16" - Zinc	1
-	416120	-	Roll Pin -- 3/8" x 2" - Zinc	1
7	301836	11	Top Connector -- 5" Spacer - Hitch Assm	1
-	411822	¾	Hex Bolt -- 3/4" x 5" NC - Gr 8 - Zinc	1
8	415006	2	3/4" Sq. U-Bolt x 4" x 8-1/2" Leg - Gr. 5	2

REAR BASKET FRAME

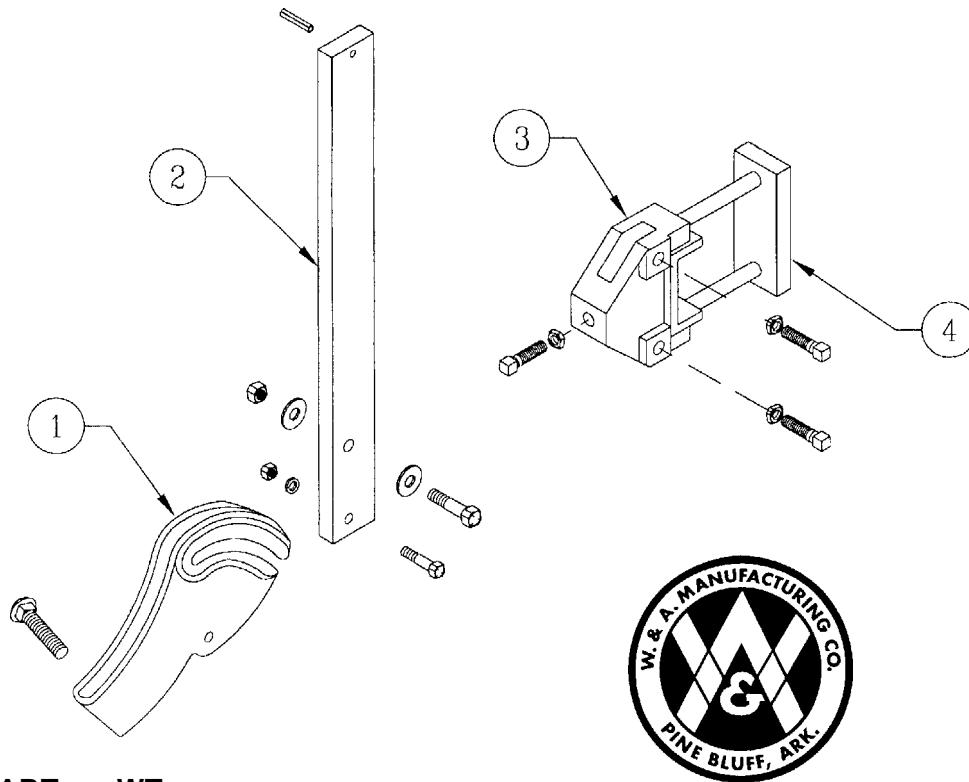
2011 and Later



<u>ITEM NO.</u>	<u>PART NO.</u>	<u>WT. LBS.</u>	<u>DESCRIPTION</u>	<u>QTY REQ'D</u>
1	302216	321	Center Clamp and Basket Holder (227-1/4" Tube)	1
2	302214	181	RH Wing Holder (128-1/2" Tube)	1
-	302215	181	LH Wing Holder (128-1/2" Tube) Shown	1
3	204023	27½	Connecting Channel -- 5" x 51" with 7 Holes	12
-	411560	¼	Hex Bolt -- 5/8" x 1-1/2" NC - Gr 2 - Zinc	72
-	410009	-	Lock Nut -- 5/8" NC - Zinc	72
4	773976	76	Rear Mount Parking Stand Assembly (Pair)	1
-	301860	7½	Rear Parking Stand Bracket for 4" Sq. Tube	2
-	302233	26½	Parking Stand Leg (2½" Sq. Tube x 36")	2
-	415010	1	5/8" Sq. U-Bolt x 4" x 5-1/4" Leg	4
-	412010	-	Hex Nut -- 5/8" - 11 - Gr. 2 - Zinc	8
-	413510	-	Lock Washer -- 5/8" Zinc	8
-	416230	¾	3/4" Safety Lock Pin x 5-1/2" OAL - Zinc	2
5	773961	114	Front Mount Parking Stand Assembly (Pair)	1
-	302222	19½	Front Parking Stand Bracket	2
-	302232	30½	Parking Stand Leg (3" Sq. Tube x 36")	2
-	415004	2½	3/4" Sq. U-Bolt x 7" x 9" Leg	4
-	412012	-	Hex Nut -- 3/4" - 10 - Gr. 2 - Zinc	8
-	413512	-	Lock Washer -- 3/4" - Zinc	8
-	416230	¾	3/4" Safety Lock Pin x 5-1/2" OAL - Zinc	2

4" BOLT-ON SHANK HOLDER

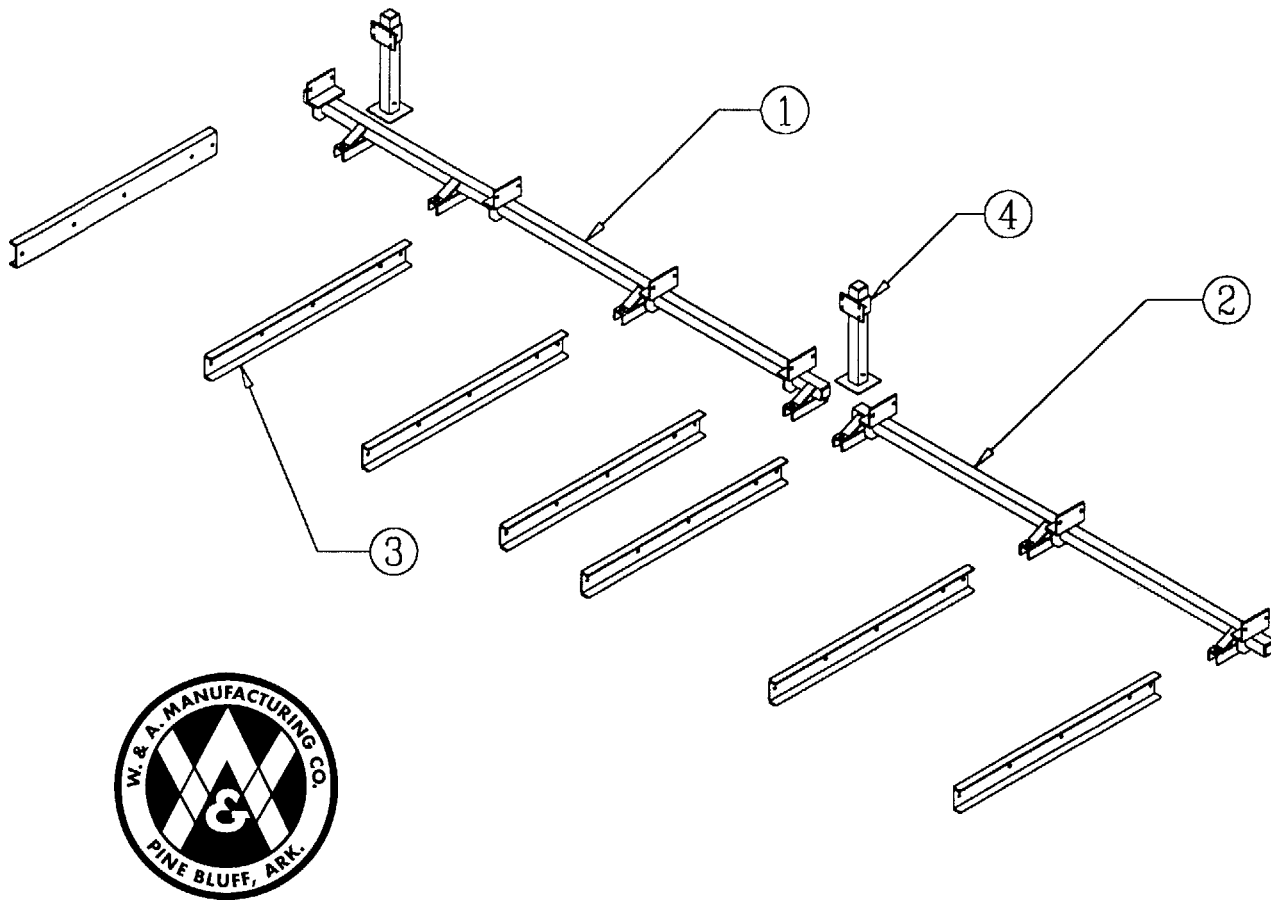
Optional



<u>ITEM NO.</u>	<u>PART NO.</u>	<u>WT. LBS.</u>	<u>DESCRIPTION</u>	<u>QTY. REQ'D</u>
1	479075	6½	Friction Trip Foot	17
-	411549	-	Hex Bolt -- 1/2" x 2-1/2" NC - Gr. 5 - Zinc	17
-	411563	½	Hex Bolt -- 5/8" x 3" NC - Gr. 5 - Zinc	17
-	411794	½	Carriage Bolt -- 3/4" x 3-1/2" NC - Gr. 5 - Zinc	17
-	410009	-	Lock Nut -- 5/8" NC - Zinc	17
-	410012	-	Lock Nut -- 3/4" NC - Zinc	17
-	412008	-	Hex Nut -- 1/2" - 13 - Gr. 2 - Zinc	17
-	413056	-	Flat Washer, Heavy -- 5/8" - Zinc	34
-	413058	-	Flat Washer, Heavy -- 3/4" - Zinc	17
-	413508	-	Lock Washer -- 1/2" - Zinc	17
2	204210	25	Vertical Shank, C1080	15
-	416120	-	Roll Pin -- 3/8" x 2" - Zinc	17
3	479065	10¼	Bolt-On Shank Holder - 4" Tool Bar	17
-	414828	-	Square Head Set Screw -- 5/8" x 1-3/4"	51
-	412010	-	Hex Nut -- 5/8" - 11 - Gr 2 - Zinc	51
-	412410	-	Jam Nut -- 5/8" - 11 - Gr. 2 - Zinc	51
4	204275	6	Backing Plate for Bolt-on Shank Holder 4"	17
-	411595	7¾	Hex Bolt -- 3/4" x 5-1/2" - Gr. 5 - Zinc	34
-	412012	-	Hex Nut -- 3/4" - 10 - Gr. 2 - Zinc	34
-	413512	-	Lock Washer -- 3/4" - Zinc	34
N/I	302002	28	3" Offset Shank - RH	1
N/I	302003	28	3" Offset Shank - LH	1
N/I	474031	7¼	#11N Furrower	17

REAR BASKET FRAME

2010 and Prior



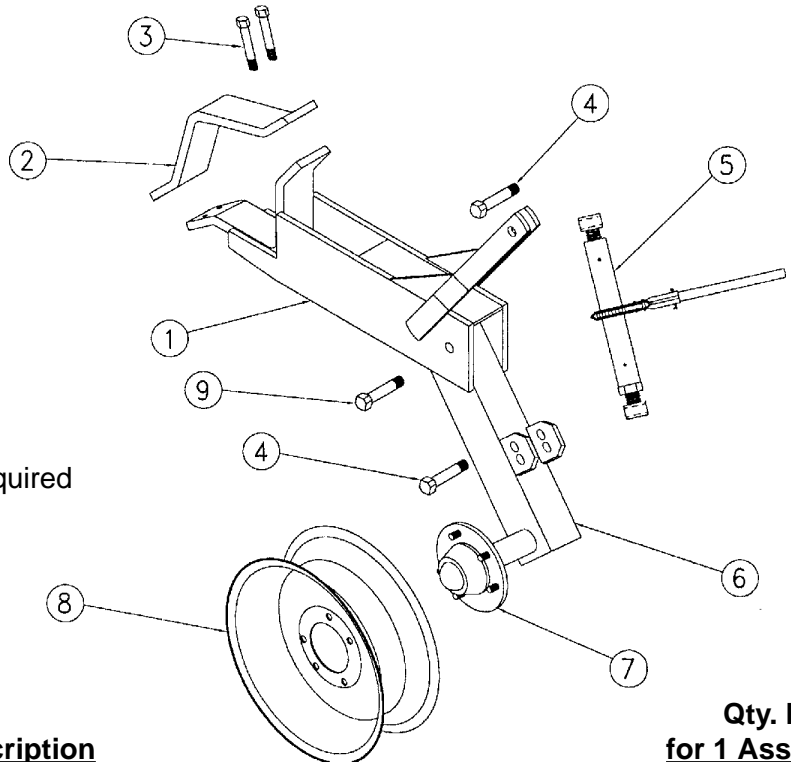
<u>ITEM NO.</u>	<u>PART NO.</u>	<u>WT. LBS.</u>	<u>DESCRIPTION</u>	<u>QTY. REQ.</u>
1	301852	203	Center Basket Holder.....(2-1/2" Sq. Tube)	1
2	301853	102	Wing Basket Holder – RH	1
-	301854	102	Wing Basket Holder – LH (Shown)	1
3	204023	27½	Connecting Channel – 5" x 51" with 7 Holes	12
-	411560	-	Hex Bolt -- 5/8" x1-1/2" NC - Gr. 5 - Zinc	60
-	412010	-	Hex Nut -- 5/8" - 11 - Gr. 2 - Zinc	60
-	413510	-	Lock Washer - 5/8" - Zinc	60
4	301855	6	Parking Stand Bracket	2
-	301856	21	Parking Stand Leg	2
-	415108	½	1/2" U-Bolt x 2-1/2" x 4" Leg - Grade 5	4
-	412008	-	Hex Nut -- 1/2" - 13 - Gr 2 - Zinc	8
-	413508	-	Lock Washer -- 1/2" - Zinc	8
-	416230	¾	3/4" Safety Lock Pin x 5-1/2" OAL - Zinc	2

GAUGE WHEEL



**No. 1338
& 1339**

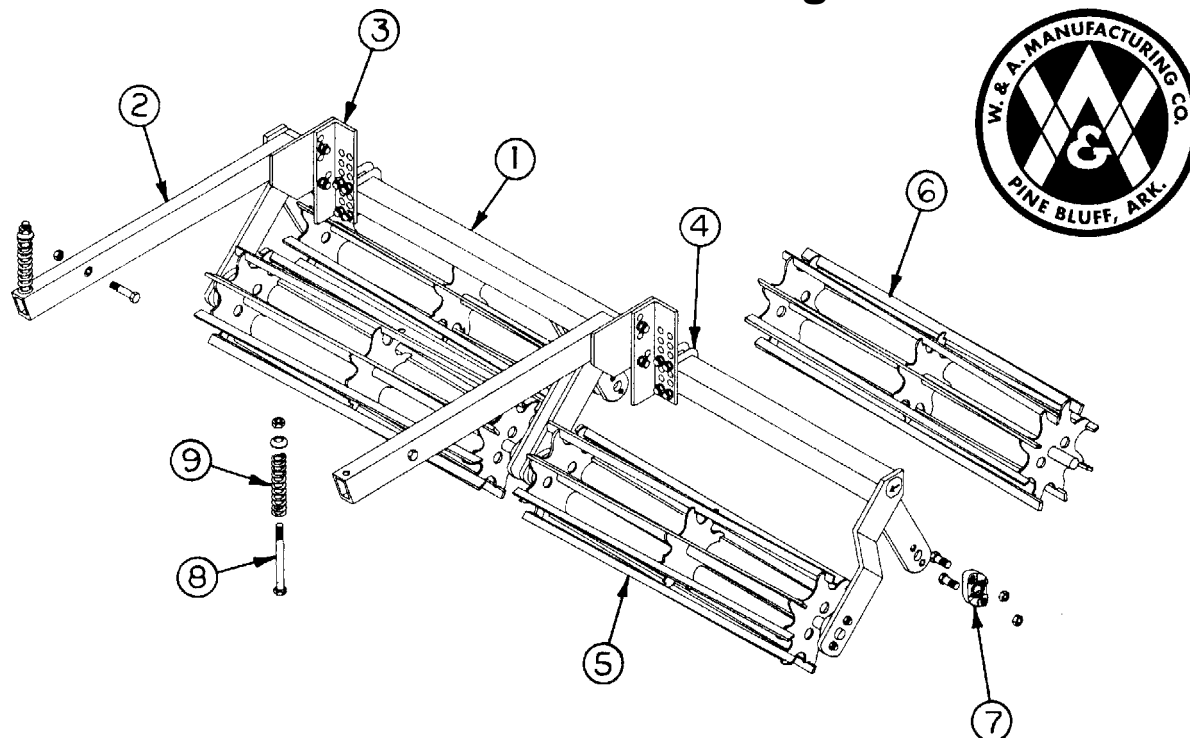
1 Pair of Each Required



<u>Item No.</u>	<u>Part No.</u>	<u>Wt. Lbs.</u>	<u>Description</u>	<u>Qty. Req. for 1 Assembly</u>
1	302225	60	Holder - Gauge Wheels	1
2	203770	10	Backing Clamp for 7" Sq. Bar	1
3	411591	½	Hex Bolt -- ¾" x 4" NC - Gr 5 - Zinc	4
-	412012	-	Hex Nut -- ¾" - 10 - Gr 2 - Zinc	6
-	413512	-	Lock Washer -- ¾" - Zinc	6
4	411591	½	Hex Bolt -- ¾" x 4" NC - Gr 5 - Zinc	2
5	302025	11½	Ratchet Crank Assembly	1
6	302226	34¾	RH Leg w/Hub -- #1338 Gauge Wheel (Shown)	1
-	302227	34¾	LH Leg w/Hub -- #1338 Gauge Wheel	1
-	302228	38¾	RH 3" Offset Leg w/Hub -- #1339 Gauge Wheel	1
-	302229	38¾	LH 3" Offset Leg w/Hub -- #1339 Gauge Wheel	1
7	491119	11	5 Hole Hub Complete - Q-719	1
-	491007	9¾	Hub w/Cups Only - Q-719	1
-	481205	¼	Cone - Q809 & Q719 - LM67048	1
-	496010	-	Outer Cup - Q809 & Q719 - LM67010	1
-	481204	¼	Cone - Q809 & Q719 - LM48548	1
-	496011	-	Inner Cup - Q809 & Q719 - LM48510	1
-	497010	-	Grease Seal - Q719 - CR 15190	1
-	490006	¼	Hub Cap - Q809 & Q719	1
-	490015	-	1/2" NF Lug Nut	5
-	490017	-	Drive-In Hub Bolt - Q719	5
-	412164	-	Slotted Nut -- 7/8" - 14 Spindle	1
-	490034	-	Spindle Washer -- 7/8" - Q875/Q809/Q719	1
8	493007	17	15" x 5" x 5 Hole Wheel	1
9	411594	¾	Hex Bolt -- ¾" x 5" NC - Gr 5 - Zinc	1
-	412012	-	Hex Nut -- ¾" - 10 - Gr 2 - Zinc	1
-	413512	-	Lock Washer -- ¾" - Zinc	1

ROLLING BASKETS

1 1/4" Shaft and Bearings



<u>ITEM NO.</u>	<u>PART NO.</u>	<u>WT. LBS.</u>	<u>DESCRIPTION</u>	<u>QTY. REQ'D FOR 1 MACHINE</u>
1	301954	100	Four Basket Frame -- 1-1/4" Brg. (2 row).....(Shown)	-
-	301955	150	Six Basket Frame 38" -- 1-1/4" Brg. (3 row)	4
2	301290	20 1/2	Arm -- Rolling Baskets	12
-	411551	-	Hex Bolt -- 1/2" x 3" - Gr 5 - Zinc	12
-	410008	-	Lock Nut -- 1/2" NC - Zinc	84
3	202729	5 1/2	Connecting Angle - Rolling Baskets	12
-	411545	-	Hex Bolt -- 1/2" x 1-1/2" NC - Gr 5 - Zinc	24
4	415108	1/2	1/2" U-Bolt x 2-1/2" x 4" Leg - Grade 5	24
5	301948	41 1/4	Front Rolling Basket Only -- 1-1/4" Shaft	12
-	202749	2.7	Blade Only for Front Rolling Baskets	-
6	301949	41 1/4	Rear Rolling Basket Only -- 1-1/4" Shaft	12
-	202750	2.7	Blade Only for Rear Rolling Baskets	-
7	482024	2	1-1/4" Cast Flange Bearing Assm RB	48
-	481288	-	1-1/4" Bearing Only w/Lock Collar RB	-
-	411534	-	Hex Bolt -- 7/16" x 1-1/2" NC - Gr 5 - Zinc (Outside Bearings) ..	32
-	204145	-	Bearing Spacer (Inside Bearings)	16
-	411539	-	Hex Bolt -- 7/16" x 3-1/2" NC - Gr 5 - Zinc (Inside Bearings)	32
-	410007	-	Lock Nut -- 7/16" NC - Zinc	64
8	411237	1	Hex Bolt -- 5/8" x 8" NC - Gr 2 - Zinc	12
-	200412	-	Formed Head Holder	12
-	410009	-	Lock Nut -- 5/8" NC - Zinc	12
-	202350	-	Cup Washer for Spring	12
9	471006	1 1/2	Compression Spring	12