

W & A

PARTS MANUAL



12 ROW @ 38" STACKER BUSTER LEVEL BANDER

Model No. 3668



Quality Products from

W & A MANUFACTURING COMPANY

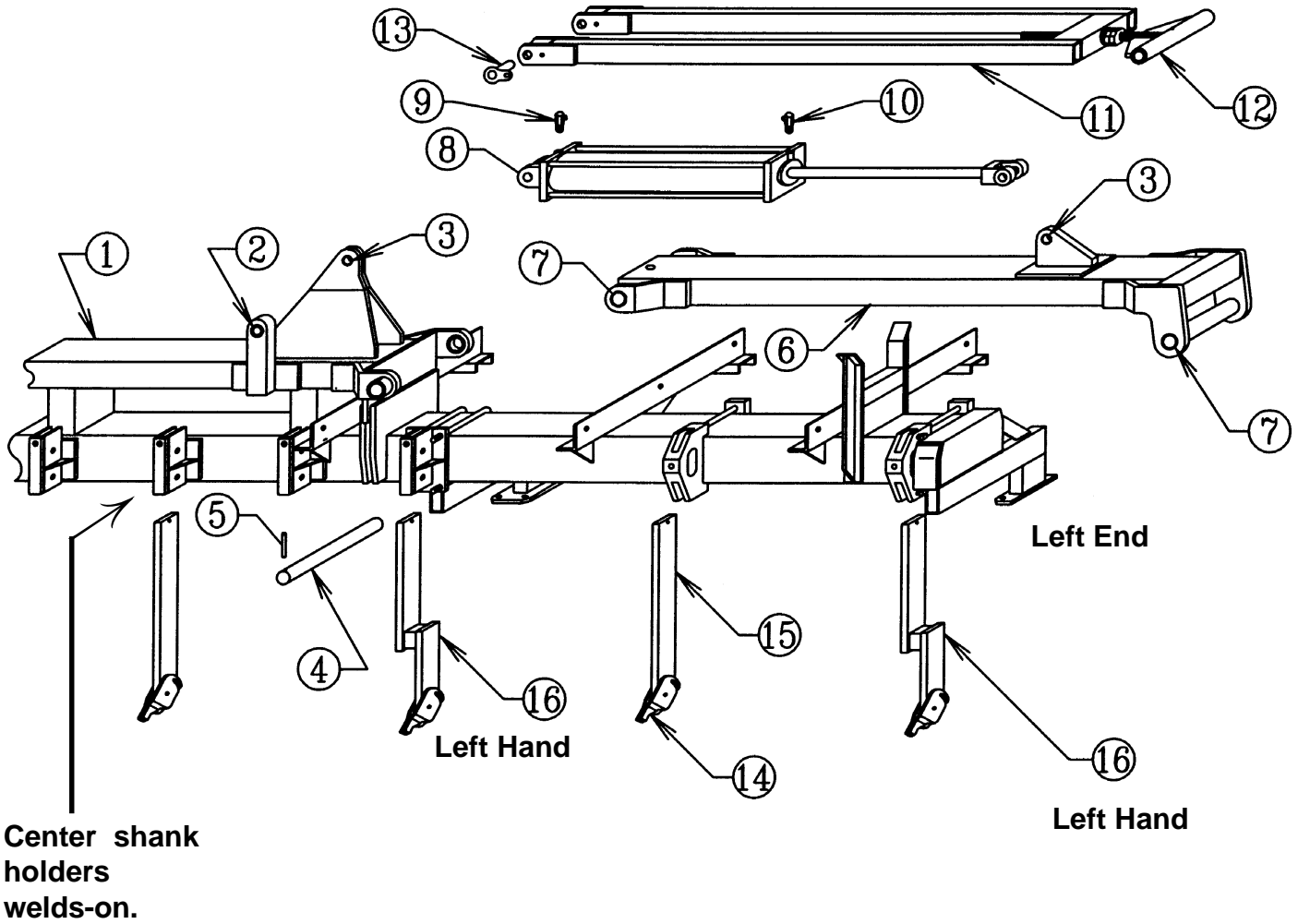
P.O. Box 5238, Pine Bluff, Arkansas 71611

Phone: (870) 534-7420

Fax: (800) 336-1318

Website: www.wamfgco.com

CENTER SECTION



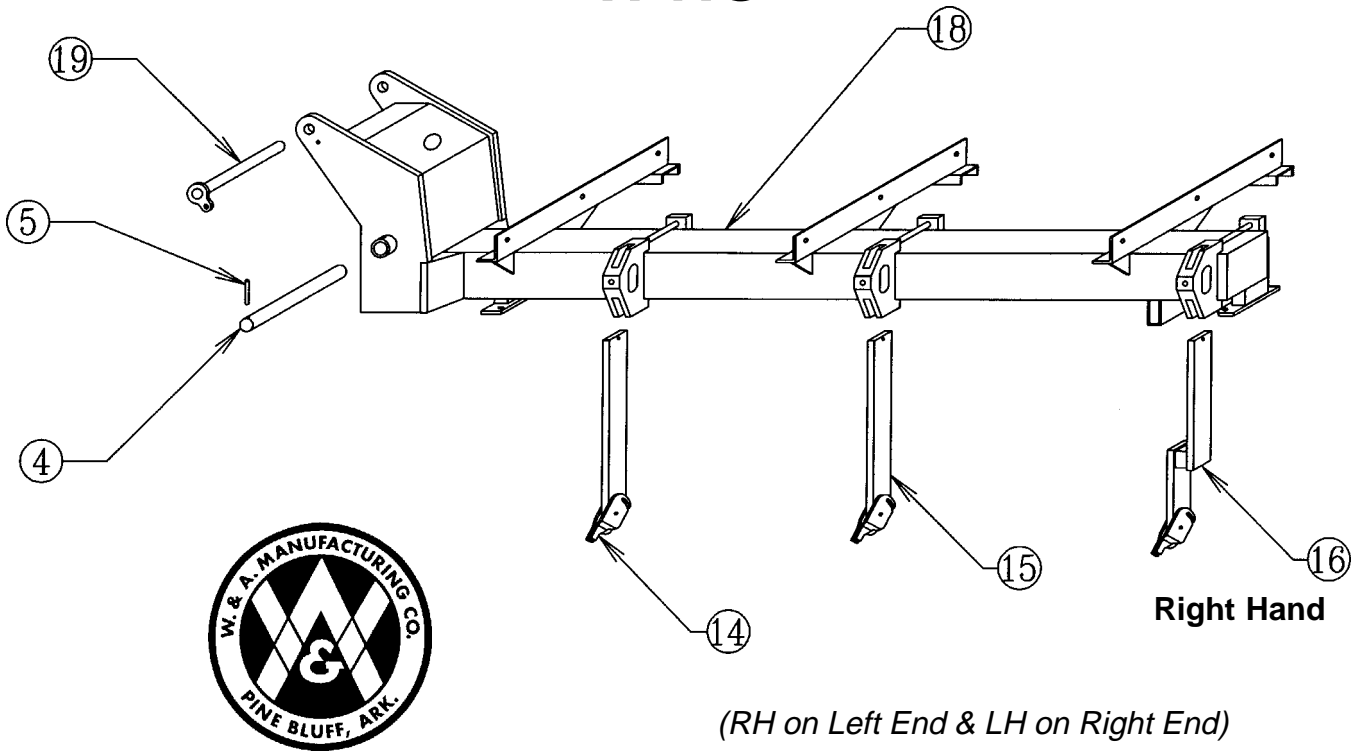
3" Offset
 2 RH on Right End of Center Section
 2 LH on Left End of Center Section



CENTER SECTION

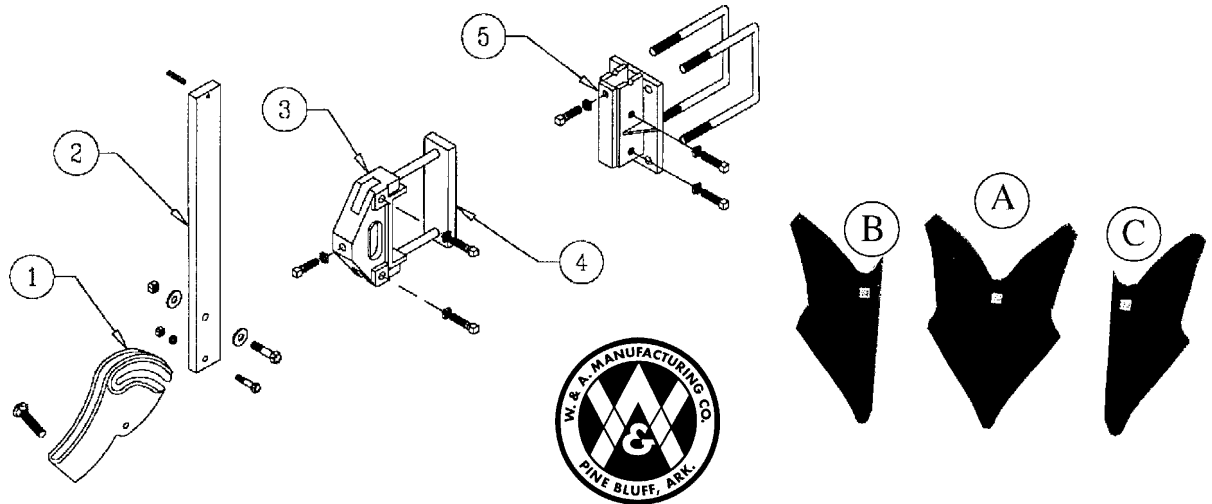
Item No.	Part No.	Wt. Lbs.	Description	Qty. Req'd for 1 Machine
1	301870	1674	Center Section	1
2	401084	¼	Form 1 Bushing -- 1-1/2" OD x 1-1/4" ID x 1-1/2" Long	4
3	401080	¼	Form 1 Bushing -- 1-1/2" OD x 1-1/4" ID x 1" Long	4
4	203948	14¼	2" Pivot Pin x 16-1/4"	2
-	413124	-	Machine Washer -- 3" OD x 2" ID x 10 Ga	8
5	416133	-	Roll Pin -- 1/2" x 3-1/2" - Zinc	4
6	301802	265	Power Arm -- Top Leveling Stacker	2
7	401118	½	Bushing -- 2.376" OD x 2.006" ID x 2" Long	8
-	450004	-	1/4" Drive-in Grease Fitting	4
8	476029	126	Hydraulic Cylinder -- 5" x 30" (w/Pins)	2
-	477056	-	Seal Kit -- 5" x 24" & 5" x 30" Lion Cyl. 2" Rod (for above Cyl) .	-
9	446188	¼	1/2" x 1/2" Swivel Orifice Elbow	2
10	446188	¼	1/2" x 1/2" Swivel Orifice Elbow	2
-	785103	½	3/8" Hydraulic Hose x 103"	2
-	785120	½	3/8" Hydraulic Hose x 120"	2
11	301820	88	Leveling Arm (For 1½" Dia. Rod)	2
12	301819	19¾	Leveling Arm End with Lock Nut – 1½" Dia. Rod	2
-	410032	1	Lock Nut -- 1-1/2" NF Top Lock- Zinc	2
-	412024	¾	Hex Nut -- 1-1/2" - 6 - Gr 2 - Zinc	2
-	413120	-	Machine Washer -- 2-1/4" OD x 1-1/2" ID x 10 Ga	2
-	450004	-	1/4" Drive-in Grease Fitting	2
-	401095	-	Form 1 Bushing -- 1-7/8" OD x 1-1/2" ID x 1" Long	4
13	301824	1¾	Small Pin -- 1-1/4" x 2-1/2" Stacker Bar	4
-	411545	-	Hex Bolt -- 1/2" x 1-1/2" NC - Gr 5 - Zinc	4
-	413008	-	Flat Washer -- 1/2" - Zinc	4
-	413508	-	Lock Washer -- 1/2" - Zinc	4
14	479075	6½	Friction Trip Foot (See Page 5)	
15	204210	25	Vertical Shank C1080 (See Page 5)	
16	302003	28	3" Offset Shank – LH (See Page 5)	
-	302002	28	3" Offset Shank – RH (See Page 5)	

WING



<u>ITEM NO.</u>	<u>PART NO.</u>	<u>WT. LBS.</u>	<u>DESCRIPTION</u>	<u>QTY. REQ.</u>
4	203948	14¼	2" Pivot Pin x 16-1/4"	4
-	413124	-	Machine Washer -- 3" OD x 2" ID x 10 Ga	8
5	416133	-	Roll Pin -- 1/2" x 3-1/2" - Zinc	4
14	479075	6½	Friction Trip Foot (See Page 5)	
15	204210	25	Vertical Shank C1080 (See Page 5)	
17	302002	28	3" Offset Shank – RH (Shown) (See Page 5)	
-	302003	28	3" Offset Shank – LH (See Page 5)	
18	301872	592	Wing – LH (Shown)	1
-	301871	592	Wing – RH	1
19	301825	8	Top Pin -- Top Leveling Stacker	2
-	411545	-	Hex Bolt -- 1/2" x 1-1/2" NC - Gr. 5 - Zinc	2
-	413008	-	Flat Washer -- 1/2" - Zinc	2
-	413508	-	Lock Washer -- 1/2" - Zinc	2

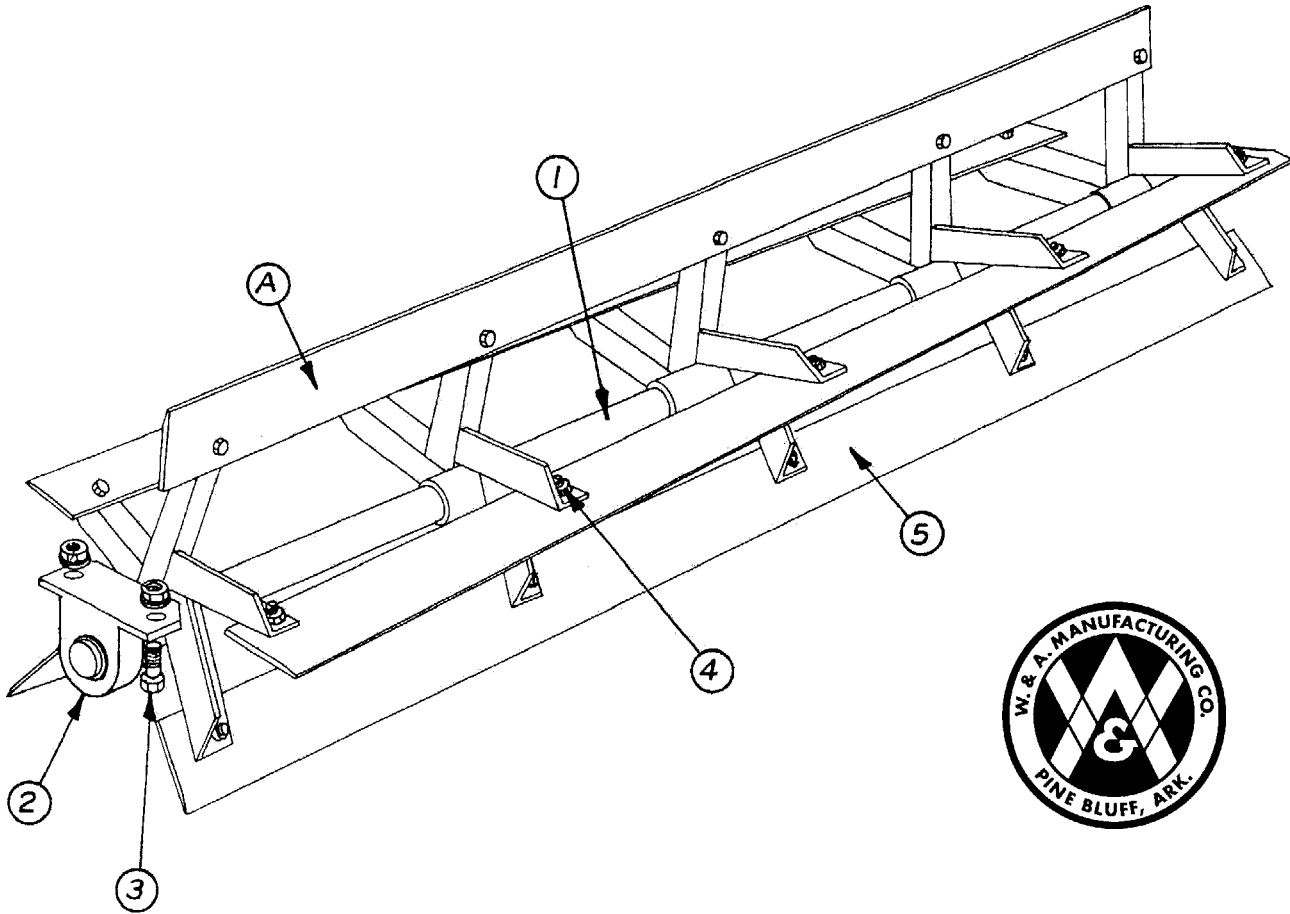
BOLT-ON SHANK HOLDERS



<u>ITEM NO.</u>	<u>PART NO.</u>	<u>WT. LBS.</u>	<u>DESCRIPTION</u>	<u>QTY. REQ'D FOR 12 ROW MACHINE</u>
1	479075	6½	Friction Trip Foot	13
-	411549	-	Hex Bolt -- 1/2" x 2-1/2" NC - Gr. 5 - Zinc	13
-	411563	½	Hex Bolt -- 5/8" x 3" NC - Gr. 5 - Zinc.....	13
-	411794	½	Carriage Bolt -- 3/4" x 3-1/2" NC - Gr. 5 - Zinc.....	13
-	410009	-	Lock Nut -- 5/8" NC - Zinc	13
-	410012	-	Lock Nut -- 3/4" NC - Zinc	13
-	412008	-	Hex Nut -- 1/2" - 13 - Gr. 2 - Zinc	13
-	413056	-	Flat Washer, Heavy -- 5/8" - Zinc.....	26
-	413058	-	Flat Washer, Heavy -- 3/4" - Zinc.....	13
-	413508	-	Lock Washer -- 1/2" - Zinc	13
2	204210	25	Vertical Shank C1080	7
-	416120	-	Roll Pin -- 3/8" x 2" - Zinc	13
3	479069	13½	Bolt-On Shank Holder - 7" Tool Bar	10
-	414828	-	Square Head Set Screw -- 5/8" x 1-3/4".....	30
-	412310	-	Square Nut -- 5/8" - 11 - Gr. 2 - Zinc.....	30
-	412410	-	Jam Nut -- 5/8" - 11 - Gr. 2 - Zinc	30
4	204274	9	Backing Plate for Bolt-on Shank Holder - 7"	10
-	411601	1¼	Hex Bolt -- 3/4" x 8-1/2" NC - Gr. 5 - Zinc.....	20
-	412012	-	Hex Nut -- 3/4" - 10 - Gr. 2 - Zinc	20
-	413512	-	Lock Washer -- 3/4" - Zinc	20
5	302036	19½	Center Bolt-On Shank Holder	2
-	415004	2½	3/4" Sq. U-Bolt x 7" x 9" Leg	4
-	412012	-	Hex Nut -- 3/4" - 10 - Gr 2 - Zinc.....	8
-	413512	-	Lock Washer -- 3/4" Zinc	8
-	414828	-	Square Head Set Screw -- 5/8" x 1-3/4".....	9
-	412410	-	Jam Nut -- 5/8" - 11 - Gr 2 - Zinc	9
N/I	302002	28	3" Offset Shank – RH.....	3
N/I	302003	28	3" Offset Shank – LH	3
A	474031	7¼	#11N Furrower.....(11" Top Width)	11
B	204215		#11N End Furrower -- RH.....	1
C	204216		#11N End Furrower -- LH	1

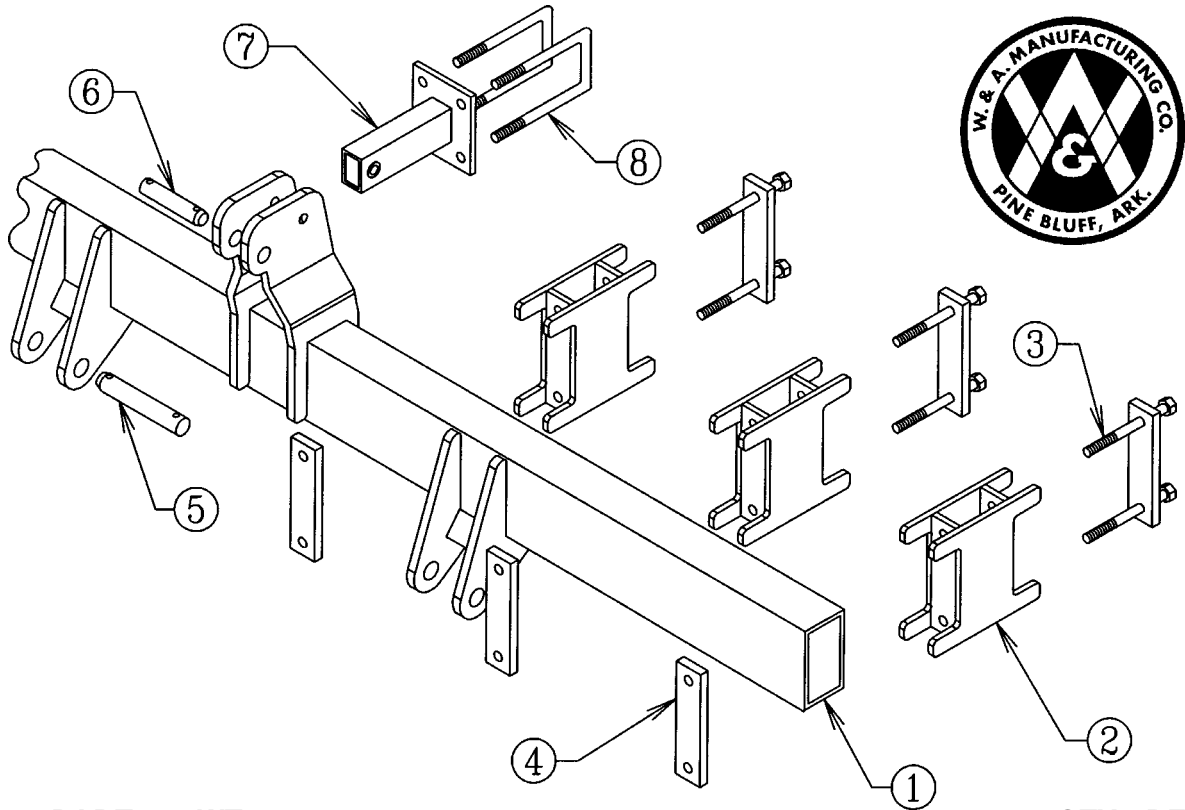
NOTE: On 12@ 38" Row Stack Buster Level Bander -- ONE Shank Holder is welded on frame.

REEL



<u>ITEM NO.</u>	<u>PART NO.</u>	<u>WT. LBS.</u>	<u>DESCRIPTION</u>	<u>QTY. REQ'D FOR 1 MACHINE</u>
A	770020	235	Spiral 6 Foot Reel Complete w/Bearings	3
-	770021	340	Spiral 106" Reel Complete w/Bearings (for Wings) ..	2
1	300451	116	Spiral 77" Reel Shaft w/5 Support Brackets	3
-	301067	187	Spiral 114" Reel Shaft w/7 Support Brackets	2
2	482101	4	1-15/16" Pillow Block Bearing Complete	10
-	481215	1	1-15/16" Bearing w/Lock Collar #G115-KRB-S1115K	-
-	480006	3	Pillow Block for 1-15/16" Bearing	-
3	411562	-	Hex Bolt -- 5/8" x 2-1/2" NC - Gr 5 - Zinc	20
-	410009	-	Lock Nut -- 5/8" NC - Zinc	20
-	413010	-	Flat Washer -- 5/8" - Zinc	20
4	411211	-	Hex Bolt -- 5/8" x 1-1/4" NC - Gr. 2 - Zinc	145
-	410009	-	Lock Nut -- 5/8" NC - Zinc	145
5	200539	20	Spiral Pulvamerizer Blade x 72"	15
-	202168	31	Spiral Pulvamerizer Blade x 106"	10

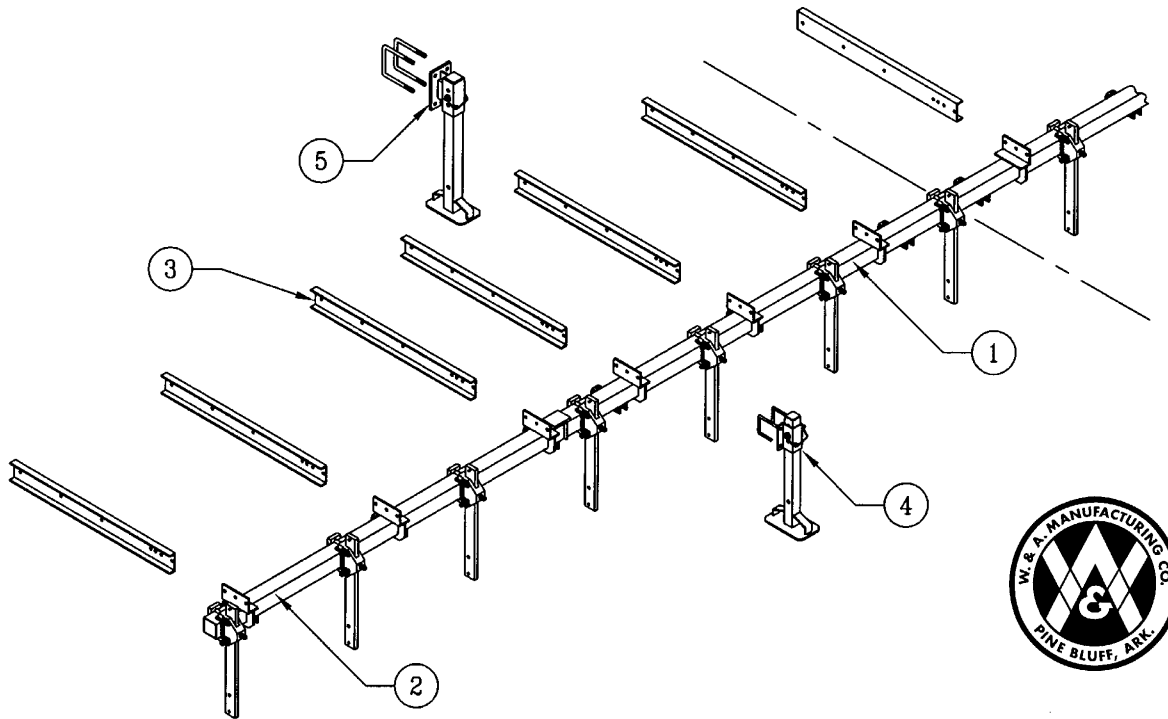
HITCH ASSEMBLY



<u>ITEM NO.</u>	<u>PART NO.</u>	<u>WT. LBS.</u>	<u>DESCRIPTION</u>	<u>QTY. REQ'D FOR 1 HITCH</u>
1	301833	361	Wide Hitch -- Top Leveling Stacker	1
2	302014	25	5" Spacer Block - Top Leveling Stacker	6
3	203960	5	Backing Plate - Top Leveling Stacker	6
-	411604	1¼	Hex Bolt -- 3/4" x 10" - Gr 5 - Zinc (Back Plate)	12
-	412012	-	Hex Nut -- 3/4" - 10 - Gr 2 - Zinc (Back Plate)	29
-	413512	-	Lock Washer -- 3/4" - Zinc (Back Plate)	29
4	203960	5	Backing Plate -- Top Leveling Stacker	6
-	411598	½	Hex Bolt -- 3/4" x 6-1/2" NC - Gr 5 - Zinc (Front Plate)	12
5	200876	3¾	Hardened Pull Pin -- 1-7/16" x 8-3/8" - Zinc	2
-	416207	-	Klik Pin -- 7/16" - Zinc	2
-	416133	-	Roll Pin -- 1/2" x 3-1/2" - Zinc	2
6	200853	2	Hardened Top Link Pin -- 1-1/4" x 5-15/16" - Zinc	1
-	416207	-	Klik Pin -- 7/16" - Zinc	1
-	416120	-	Roll Pin -- 3/8" x 2" - Zinc	1
7	301836	11	Top Connector - 5" Spacer - Hitch Assm	1
-	411822	¾	Hex Bolt -- 3/4" x 5" NC - Gr 8 - Zinc	1
8	415006	2	3/4" Sq. U-Bolt x 4" x 8-1/2" Leg - Gr. 5	2

4" REAR BASKET FRAME

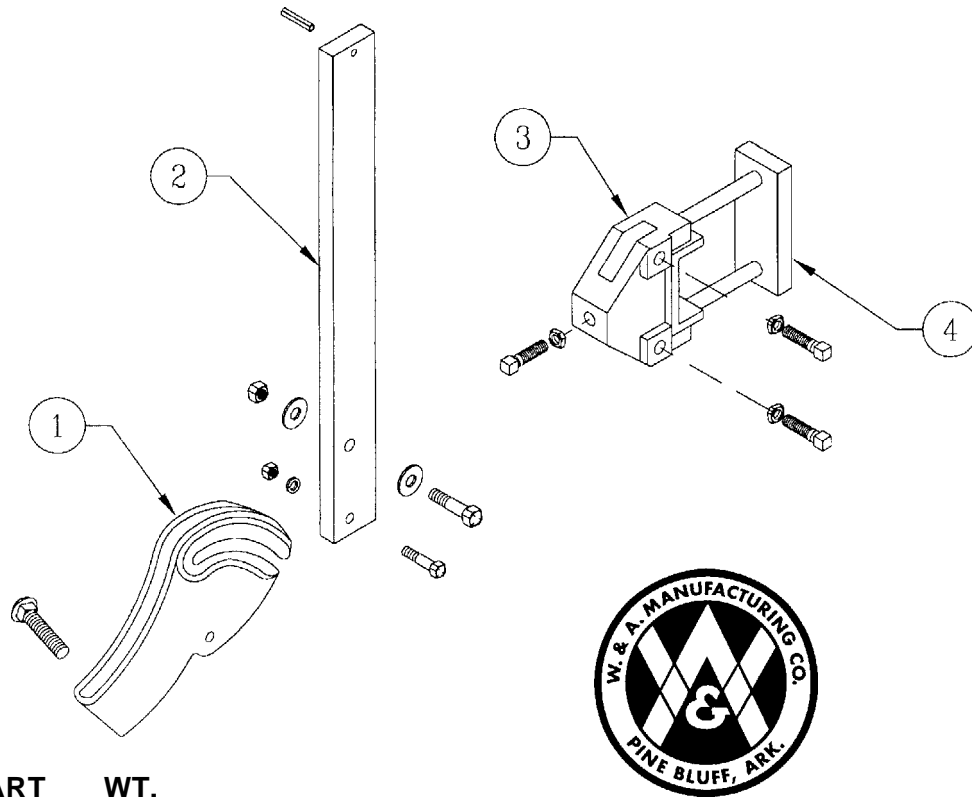
2011 and Later



<u>ITEM NO.</u>	<u>PART NO.</u>	<u>WT. LBS.</u>	<u>DESCRIPTION</u>	<u>QTY REQ'D</u>
1	302210	335	Center Clamp and Basket Holder (241-3/4" Tube)	1
2	302211	154	RH Wing Holder (110-1/4" Tube)	1
-	302212	154	LH Wing Holder (110-1/4" Tube) Shown	1
3	204023	27½	Connecting Channel - 5" x 51" with 7 Holes	12
-	411560	¼	Hex Bolt -- 5/8" x 1-1/2" NC - Gr 2 - Zinc	72
-	410009	-	Lock Nut -- 5/8" NC - Zinc	72
4	773976	76	Rear Stand Assembly (Pair)	1
-	301860	7½	Rear Parking Stand Bracket for 4" Sq. Tube	2
-	302233	26½	Parking Stand Leg (2½" Sq. Tube x 36")	2
-	415010	1	5/8" Sq. U-Bolt x 4" x 5-1/4" Leg	4
-	412010	-	Hex Nut -- 5/8" - 11 - Gr. 2 - Zinc	8
-	413510	-	Lock Washer -- 5/8" - Zinc	8
-	416230	¾	3/4" Safety Lock Pin x 5-1/2" OAL - Zinc	2
5	773961	114	Front Stand Assembly (Pair)	1
-	302222	19½	Front Parking Stand Bracket (Used with Rear Busters)	2
-	302232	30½	Parking Stand Leg (3" Sq. Tube x 36")	2
-	415004	2½	3/4" Sq. U-Bolt x 7" x 9" Leg	4
-	412012	-	Hex Nut -- 3/4"	8
-	413512	-	Lock Washer -- 3/4" - 10 - Gr 2 - Zinc	8
-	416230	¾	3/4" Safety Lock Pin x 5-1/2" OAL - Zinc	2

4" BOLT-ON SHANK HOLDER

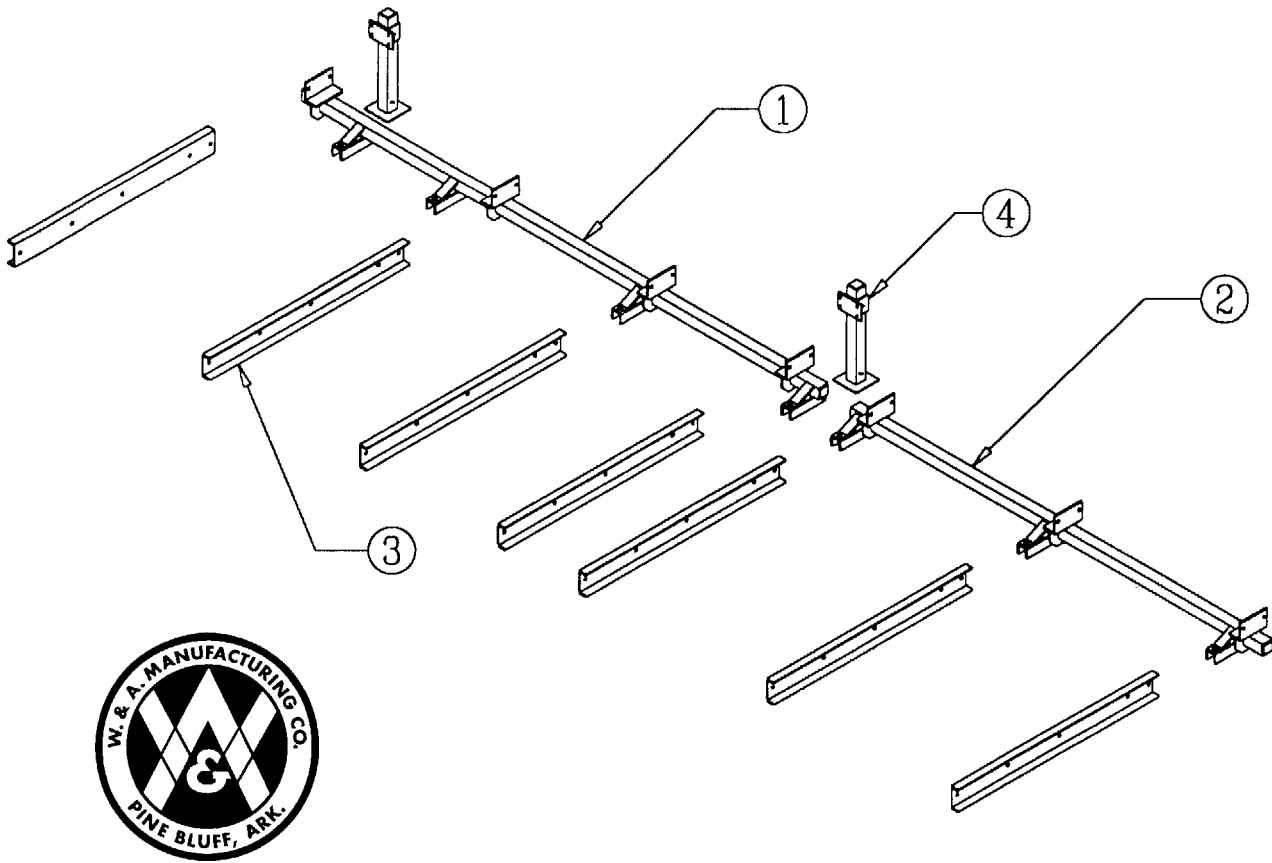
Optional



<u>ITEM NO.</u>	<u>PART NO.</u>	<u>WT. LBS.</u>	<u>DESCRIPTION</u>	<u>QTY. REQ'D</u>
1	479075	6½	Friction Trip Foot	13
-	411549	-	Hex Bolt -- 1/2" x 2-1/2" NC - Gr. 5 - Zinc	13
-	411563	½	Hex Bolt -- 5/8" x 3" NC - Gr. 5 - Zinc	13
-	411794	½	Carriage Bolt -- 3/4" x 3-1/2" NC - Gr. 5 - Zinc	13
-	410009	-	Lock Nut -- 5/8" NC - Zinc	13
-	410012	-	Lock Nut -- 3/4" NC - Zinc	13
-	412008	-	Hex Nut -- 1/2" - 13 - Gr. 2 - Zinc	13
-	413056	-	Flat Washer, Heavy -- 5/8" - Zinc	26
-	413058	-	Flat Washer, Heavy -- 3/4" - Zinc	13
-	413508	-	Lock Washer -- 1/2" - Zinc	13
2	204210	25	Vertical Shank C1080	13
-	416120	-	Roll Pin -- 3/8" x 2" - Zinc	13
3	479065	10¼	Bolt-On Shank Holder - 4" Tool Bar	13
-	414828	-	Square Head Set Screw -- 5/8" x 1-3/4"	39
-	412010	-	Hex Nut -- 5/8" - 11 - Gr. 2 - Zinc	39
-	412410	-	Jam Nut -- 5/8" - 11 - Gr. 2 - Zinc	39
4	204275	6	Backing Plate for Bolt-on Shank Holder - 4"	13
-	411595	7¾	Hex Bolt -- 3/4" x 5-1/2" - Gr. 5 - Zinc	26
-	412012	-	Hex Nut -- 3/4" - 10 - Gr. 2 - Zinc	26
-	413512	-	Lock Washer -- 3/4" - Zinc	26
N/I	474031	7¼	#11N Furrower	13

2½" REAR BASKET FRAME

2010 and Prior

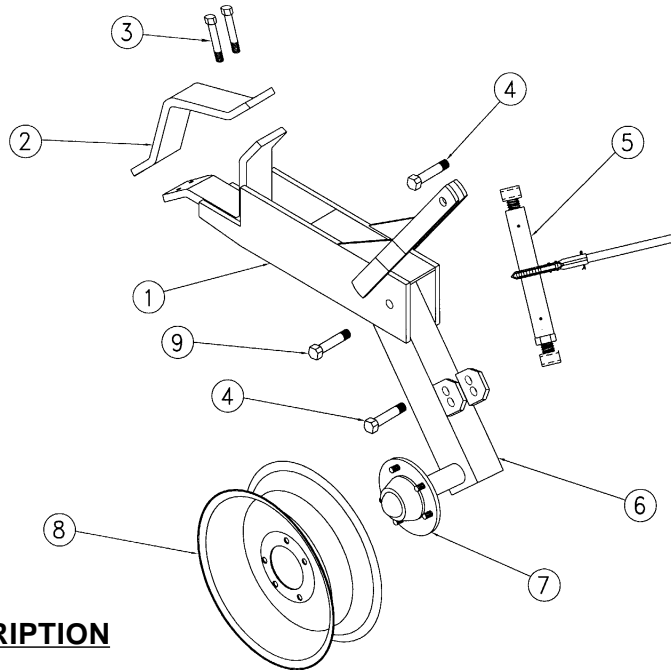


<u>ITEM NO.</u>	<u>PART NO.</u>	<u>WT. LBS.</u>	<u>DESCRIPTION</u>	<u>QTY. REQ.</u>
1	301852	203	Center Basket Holder.....(2-1/2" Sq. Tube)	1
2	301853	102	Wing Basket Holder – RH	1
-	301854	102	Wing Basket Holder – LH	1
3	204023	27½	Connecting Channel – 5" x 51" with 7 Holes	12
-	411560	-	Hex Bolt -- 5/8" x1-1/2" NC - Gr. 5 - Zinc	60
-	412010	-	Hex Nut -- 5/8" - 11 - Gr. 2 - Zinc	60
-	413510	-	Lock Washer - 5/8" - Zinc	60
4	301855	6	Parking Stand Bracket	2
-	301856	21	Parking Stand Leg	2
-	415108	½	1/2" U-Bolt x 2-1/2" x 4" Leg - Grade 5	4
-	412008	-	Hex Nut -- 1/2" - 13 - Gr 2 - Zinc	8
-	413508	-	Lock Washer -- 1/2" - Zinc	8
-	416230	¾	3/4" Safety Lock Pin x 5-1/2" OAL - Zinc	2

RATCHET ADJ. GAUGE WHEELS



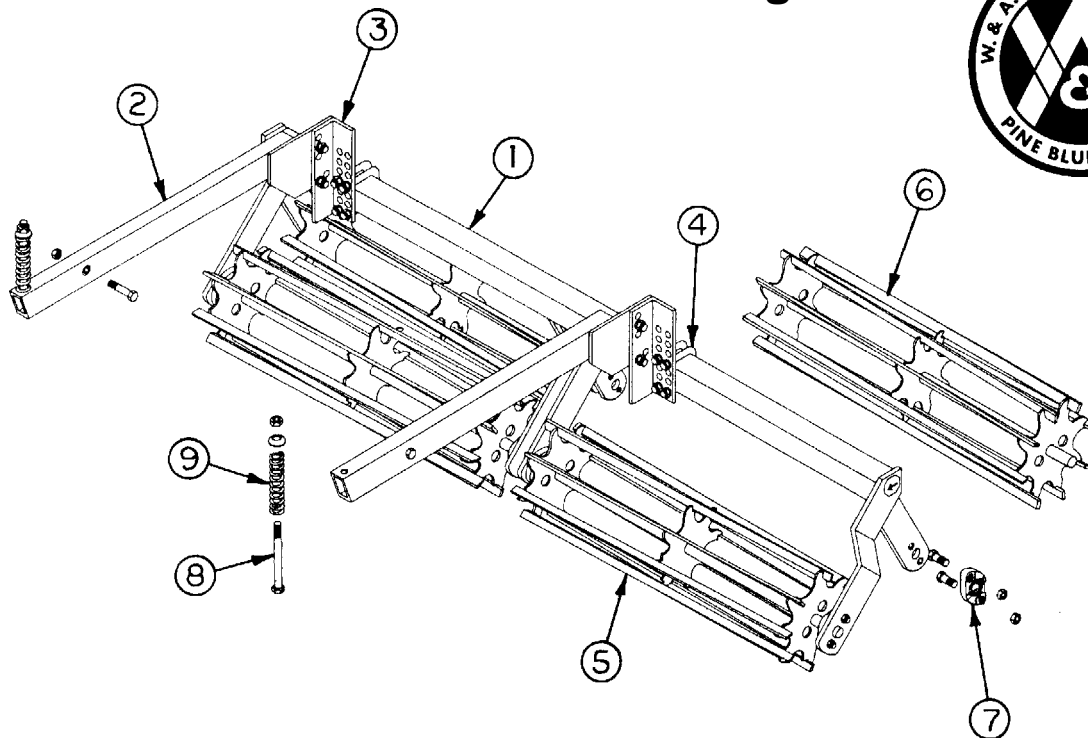
No. 1338
2 Pair Required



ITEM NO.	PART NO.	WT. LBS.	DESCRIPTION	QTY. REQ. FOR 1 ASSEMBLY
1	302225	60	Holder -- Gauge Wheels	1
2	203770	10	Backing Clamp for 7" Sq. Bar.....	1
3	411591	1/2	Hex Bolt -- 3/4" x 4" NC - Gr 5 - Zinc	4
-	412012	-	Hex Nut -- 3/4" - 10 - Gr 2 - Zinc.....(Not Illustrated) ...	4
-	413512	-	Lock Washer -- 3/4" - Zinc.....(Not Illustrated) ...	4
4	411591	1/2	Hex Bolt -- 3/4" x 4" NC - Gr 5 - Zinc	2
-	412012	-	Hex Nut -- 3/4" - 10 - Gr 2 - Zinc.....(Not Illustrated) ...	2
-	413512	-	Lock Washer -- 3/4" - Zinc.....(Not Illustrated) ...	2
5	302025	11 1/2	Ratchet Crank Assembly	1
6	302226	34 3/4	RH Leg w/Hub -- #1338 Gauge Wheel	1
-	302227	34 3/4	LH Leg w/Hub -- #1338 Gauge Wheel.....(Not Illustrated) ...	1
7	491119	11	5 Hole Hub Complete - Q-719	1
-	491007	9 3/4	Hub w/Cups Only - Q-719.....(Not Illustrated) ...	1
-	481205	1/4	Cone - Q809 & Q719 - LM67048.....(Not Illustrated) ...	1
-	496010	-	Outer Cup - Q809 & Q719 - LM67010.....(Not Illustrated) ...	1
-	481204	1/4	Cone - Q809 & Q719 - LM48548.....(Not Illustrated) ...	1
-	496011	-	Inner Cup - Q809 & Q719 - LM48510.....(Not Illustrated) ...	1
-	497010	-	Grease Seal - Q719 - CR 15190.....(Not Illustrated) ...	1
-	490006	1/4	Hub Cap - Q809 & Q719.....(Not Illustrated) ...	1
-	490015	-	1/2" NF Lug Nut.....(Not Illustrated) ...	5
-	490017	-	Drive-In Hub Bolt - Q719.....(Not Illustrated) ...	5
-	412164	-	Slotted Nut -- 7/8" - 14 Spindle.....(Not Illustrated) ...	1
-	490034	-	Spindle Washer -- 7/8" - Q875/Q809/Q719.....(Not Illustrated) ...	1
8	493007	17	15" x 5" x 5 Hole Wheel	1
9	411594	3/4	Hex Bolt -- 3/4" x 5" NC - Gr 5 - Zinc	1
-	412012	-	Hex Nut -- 3/4" - 10 - Gr 2 - Zinc.....(Not Illustrated) ...	1
-	413512	-	Lock Washer -- 3/4" - Zinc.....(Not Illustrated) ...	1

ROLLING BASKETS

1 1/4" Shaft and Bearings



<u>ITEM NO.</u>	<u>PART NO.</u>	<u>WT. LBS.</u>	<u>DESCRIPTION</u>	<u>QTY. REQ'D FOR 1 MACHINE</u>
1	301954	100	Four Basket Frame -- 1-1/4" Brg. (2 row)..... (Shown)	-
-	301955	150	Six Basket Frame 38" -- 1-1/4" Brg. (3 row)	4
2	301290	20 1/2	Arm -- Rolling Baskets	12
-	411551	-	Hex Bolt -- 1/2" x 3" - Gr 5 - Zinc	12
-	410008	-	Lock Nut -- 1/2" NC - Zinc	84
3	202729	5 1/2	Connecting Angle - Rolling Baskets	12
-	411545	-	Hex Bolt -- 1/2" x 1-1/2" NC - Gr 5 - Zinc	24
4	415108	1/2	1/2" U-Bolt x 2-1/2" x 4" Leg - Grade 5	24
5	301948	41 1/4	Front Rolling Basket Only -- 1-1/4" Shaft	12
-	202749	2.7	Blade Only for Front Rolling Baskets	-
6	301949	41 1/4	Rear Rolling Basket Only -- 1-1/4" Shaft	12
-	202750	2.7	Blade Only for Rear Rolling Baskets	-
7	482024	2	1-1/4" Cast Flange Bearing Assm RB	48
-	481288	-	1-1/4" Bearing Only w/Lock Collar RB	-
-	411534	-	Hex Bolt -- 7/16" x 1-1/2" NC - Gr 5 - Zinc (Outside Bearings) ..	32
-	204145	-	Bearing Spacer (Inside Bearings)	16
-	411539	-	Hex Bolt -- 7/16" x 3-1/2" NC - Gr 5 - Zinc (Inside Bearings)	32
-	410007	-	Lock Nut -- 7/16" NC - Zinc	64
8	411237	1	Hex Bolt -- 5/8" x 8" NC - Gr 2 - Zinc	12
-	200412	-	Formed Head Holder	12
-	410009	-	Lock Nut -- 5/8" NC - Zinc	12
-	202350	-	Cup Washer for Spring	12
9	471006	1 1/2	Compression Spring	12