

# W & A

## PARTS MANUAL



## BUSTER LEVEL BANDER

### 150° FOLDING

Model No. 3664 -- 12 @ 30" Row



*Quality Products from*

**W & A MANUFACTURING COMPANY**

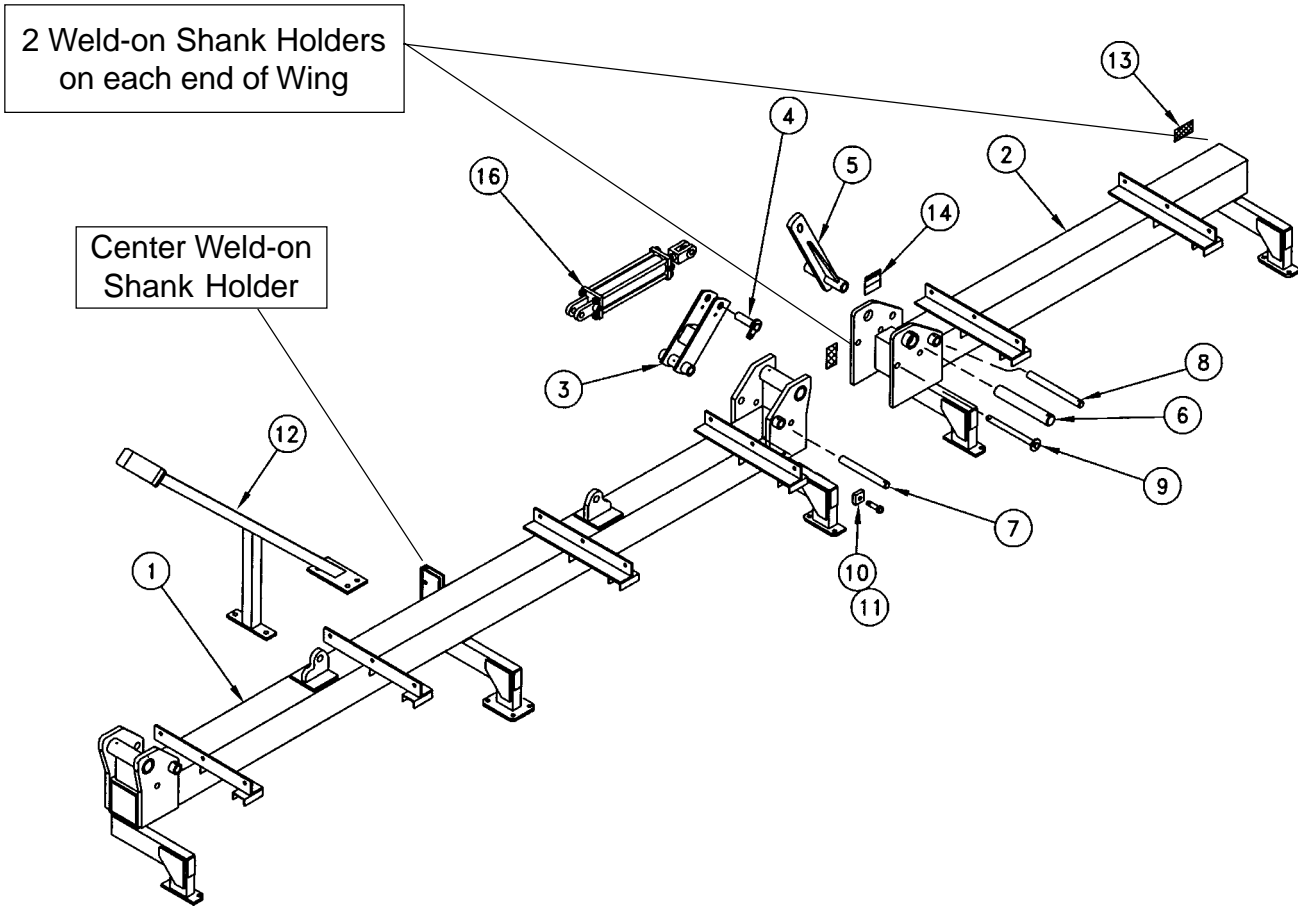
P.O. Box 5238, Pine Bluff, Arkansas 71611

Phone: (870) 534-7420

Fax: (800) 336-1318

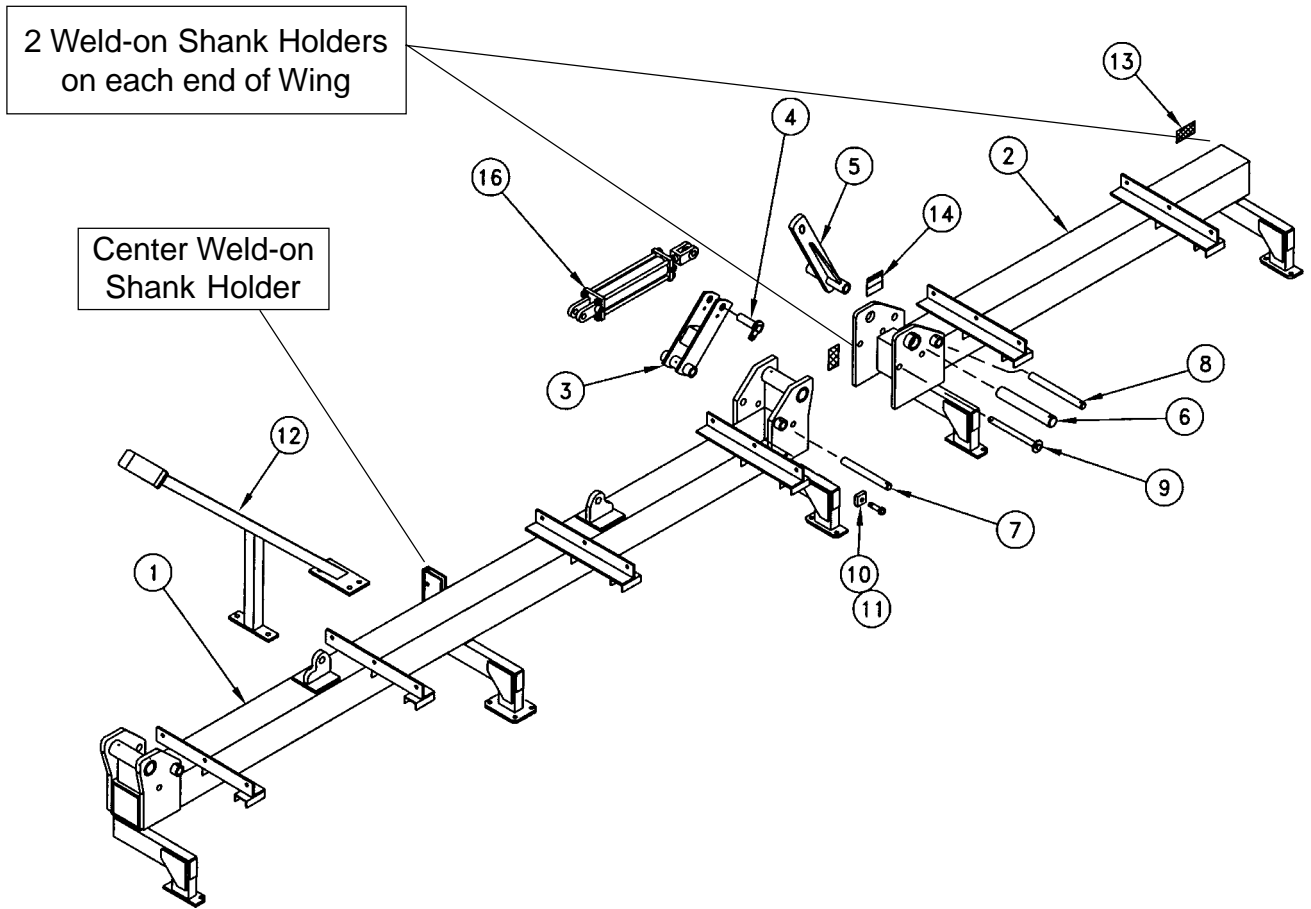
Website: [www.wamfgco.com](http://www.wamfgco.com)

# REEL FRAME



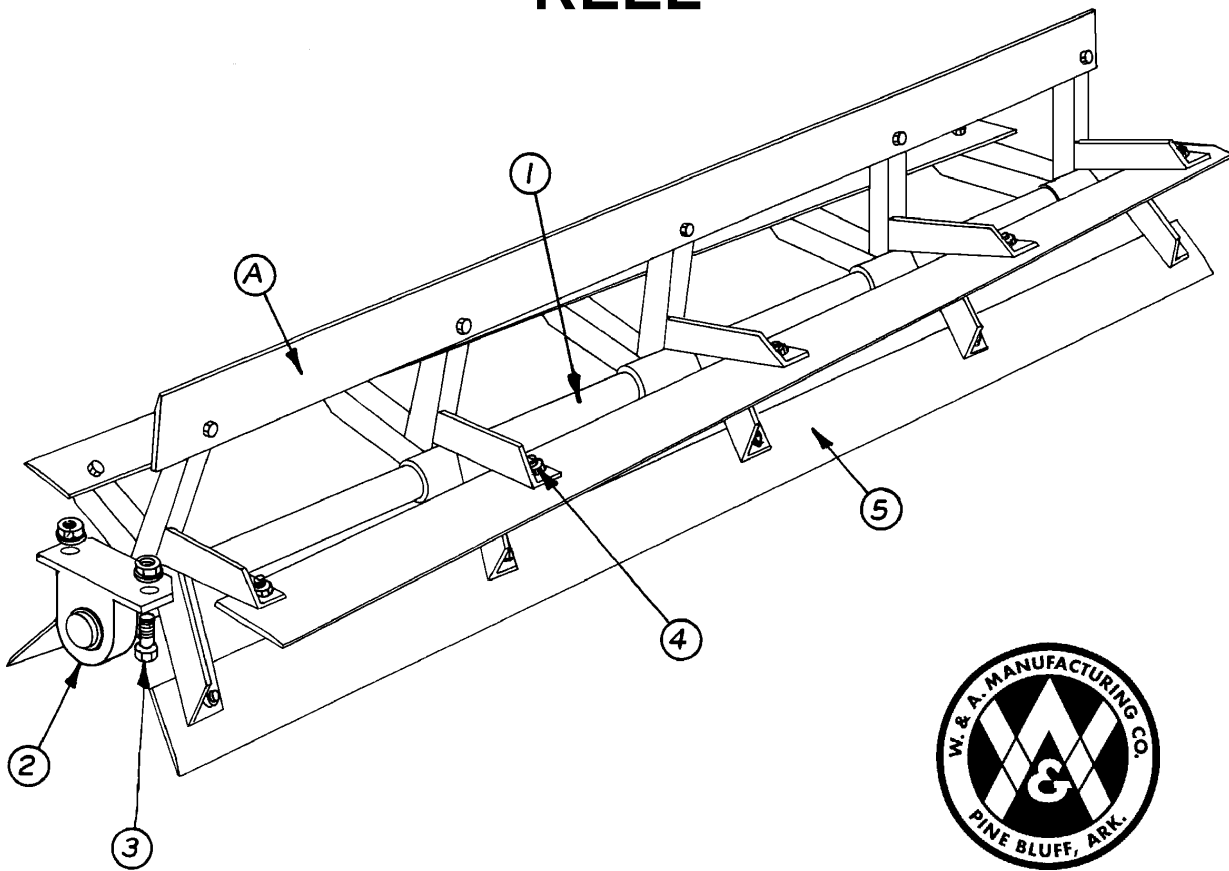
<u>ITEM NO.</u>	<u>PART NO.</u>	<u>WT. LBS.</u>	<u>DESCRIPTION</u>	<u>QTY. REQ.</u>
1	302142	810	Center Reel Frame .....	1
2	302143	371	Wing Reel Frame - RH (8 Row) - Shown .....	1
-	302144	371	Wing Reel Frame - LH (8 Row) .....	1
3	302085	21	Follow Arm - 150° Fold Bar .....	2
4	302086	2 <sup>3</sup> / <sub>4</sub>	Cylinder Lock Pin - 150° Fold Bar .....	2
-	411545	-	Hex Bolt -- 1/2" x 1-1/2" NC - Gr. 5 - Zinc .....	2
-	413008	-	Flat Washer -- 1/2" - Zinc .....	2
-	413508	-	Lock Washer -- 1/2" - Zinc.....	2
5	302084	23 <sup>3</sup> / <sub>4</sub>	Folding Arm - 150° Fold Bar .....	2
6	204388	11 <sup>1</sup> / <sub>2</sub>	Pivot Pin -- 2" x 13-1/8" - 150° Fold Bar .....	2
-	416133	-	Roll Pin -- 1/2" x 3-1/2" - Zinc.....	2
7	204389	4	Follow Arm Pin -- 1 <sup>1</sup> / <sub>4</sub> " x 11 <sup>1</sup> / <sub>2</sub> " - 150° Fold Bar .....	2
-	416109	-	Roll Pin -- 5/16" x 2-1/2" - Zinc.....	4
8	204390	4 <sup>1</sup> / <sub>2</sub>	Folding Arm Pin -- 1 <sup>1</sup> / <sub>4</sub> " x 13-1/8" - 150° Fold Bar .....	2

# REEL FRAME (Continued)



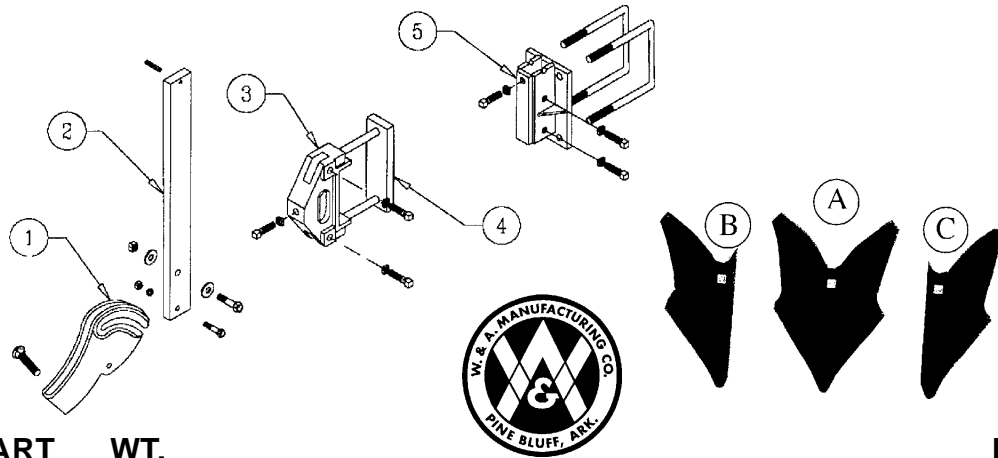
<u>ITEM NO.</u>	<u>PART NO.</u>	<u>WT. LBS.</u>	<u>DESCRIPTION</u>	<u>QTY. REQ.</u>
9	302087	3	Wing Lock Pin - 150° Fold Bar .....	2
-	416204	-	Klik Pin -- 1/4" - Zinc.....	2
10	204398	3/4	Stop Block - 150° Fold Bar .....	4
11	411584	1/4	Hex Bolt -- 3/4" x 2" NC - Gr. 5 - Zinc.....	4
-	413512	-	Lock Washer -- 3/4" - Zinc .....	4
12	302148	42	Wing Support Stand (48" Tube).....	2
-	415004	2½	3/4" Sq. U-Bolt x 7" x 9" Leg .....	6
-	412012	-	Hex Nut -- 3/4" - 10 - Gr. 2 - Zinc .....	12
-	413512	-	Lock Washer -- 3/4" - Zinc .....	12
13	461200	-	Decal -- Amber Reflector - 4½" x 2" .....(On Front of Wings) .....	4
14	461135	-	Warning Decal - "Overhead Wing Hazard" .....	2
15	476026	100	Hydraulic Cylinder -- 5" x 16" .....	2
-	446188	1/4	1/2" x 1/2" Swivel Orifice Elbow .....	4

# REEL



ITEM NO.	PART NO.	WT. LBS.	DESCRIPTION	QTY. REQ. FOR 1 MACHINE
A	770031	288	Spiral 84" Reel Complete w/Bearings .....	4
1	302149	152	89" Reel Shaft w/6 Support Brackets .....	4
2	482101	4	1-15/16" Pillow Block & Bearing Complete .....	8
-	481215	1	1-15/16" Bearing w/Lock Collar .....	-
-	480006	3	Pillow Block for 1-15/16" Bearing .....	-
3	411562	-	Hex Bolt -- 5/8" x 2 1/2" NC - Gr. 5 - Zinc .....	16
-	410009	-	Lock Nut -- 5/8" NC - Gr 2 - Zinc .....	16
-	413010	-	Flat Washer -- 5/8" - Zinc .....	16
4	411211	-	Hex Bolt -- 5/8" x 1 1/4" NC - Gr. 2 - Zinc .....	120
-	410009	-	Lock Nut -- 5/8" NC - Gr 2 - Zinc .....	120
5	204482	24 3/4	Spiral Pulvamer Blade x 84" .....	20

# BOLT-ON SHANK HOLDERS



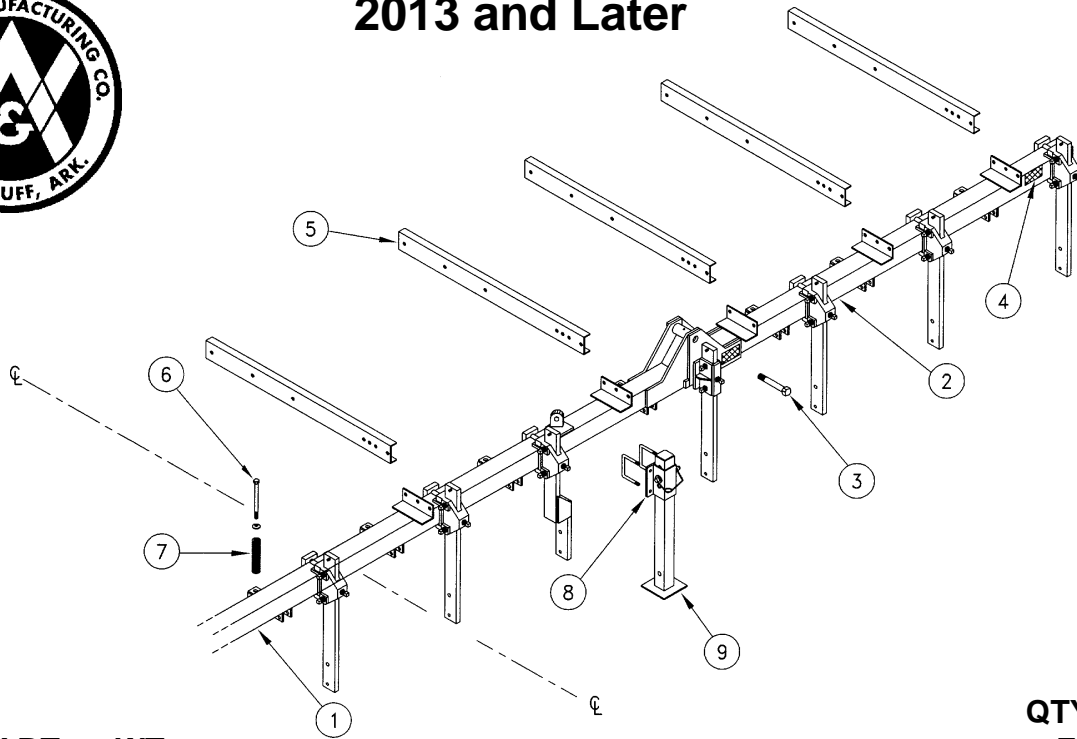
ITEM NO.	PART NO.	WT. LBS.	DESCRIPTION	QTY. REQ. FOR 12 ROW MACHINE
1	479075	6½	Friction Trip Foot .....	13
-	411549	-	Hex Bolt -- 1/2" x 2½" NC - Gr. 5 - Zinc .....	13
-	411563	½	Hex Bolt -- 5/8" x 3" NC - Gr. 5 - Zinc .....	13
-	411794	½	Carriage Bolt -- 3/4" x 3½" NC - Gr. 5 - Zinc .....	13
-	410009	-	Lock Nut -- 5/8" NC - Gr 2 - Zinc .....	13
-	410012	-	Lock Nut -- 3/4" NC - Gr 2 - Zinc .....	13
-	412008	-	Hex Nut -- 1/2" - 13 - Gr. 2 - Zinc .....	13
-	413056	-	Flat Washer, Heavy -- 5/8" - Zinc .....	26
-	413058	-	Flat Washer, Heavy -- 3/4" - Zinc .....	13
-	413508	-	Lock Washer -- 1/2" - Zinc .....	13
2	204210	25	Vertical Shank C1080 .....	13
-	416120	-	Roll Pin -- 3/8" x 2" - Zinc .....	13
3	479069	13½	Bolt-On Shank Holder -- 7" Tool Bar .....	6
-	414828	-	Square Head Set Screw -- 5/8" x 1¾" .....	18
-	412310	-	Square Nut -- 5/8" - 11 - Gr. 2 - Zinc .....	18
-	412410	-	Jam Nut -- 5/8" - 11 - Gr. 2 - Zinc .....	18
4	204274	9	Backing Plate for Bolt-On Shank Holder - 7" .....	8
-	411601	1¼	Hex Bolt -- 3/4" x 8½" NC - Gr. 5 - Zinc .....	16
-	412012	-	Hex Nut -- 3/4" - 10 - Gr. 2 - Zinc .....	16
-	413512	-	Lock Washer -- 3/4" - Zinc .....	16
5	302036	19½	Center Bolt-On Shank Holder .....	2
-	415004	2½	3/4" Sq. U-Bolt x 7" x 9" Leg .....	4
-	412012	-	Hex Nut -- 3/4" - 10 - Gr. 2 - Zinc .....	8
-	413512	-	Lock Washer -- 3/4" - Zinc .....	8
-	414828	-	Square Head Set Screw -- 5/8" x 1¾" .....	21
-	412410	-	Jam Nut -- 5/8" - 11 - Gr 2 - Zinc .....	21
A	474031	7¼	#11N Furrower.....(11" Top Width) .....	11
B	204215		#11N End Furrower -- RH .....	1
C	204216		#11N End Furrower -- LH .....	1

NOTE: On 12@ 30" Row 150° Buster Level Bander -- FIVE Shank Holders are welded on frame.



# BASKET FRAME

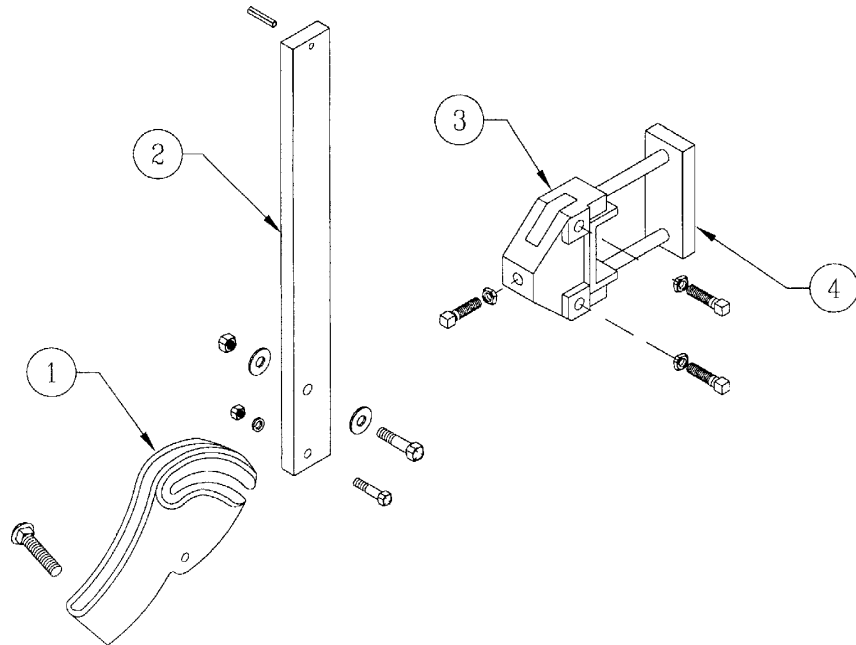
## 2013 and Later



ITEM NO.	PART NO.	WT. LBS.	DESCRIPTION	QTY. REQ. FOR 1 MACHINE
1	302205	285	Rear Center Basket Frame (4" Sq. Tube) .....	1
2	302206	173	Rear Wing Basket Frame - RH (4" Sq.) -- Shown .....	1
-	302207	173	Rear Wing Basket Frame - LH (4" Sq.) .....	1
3	411671	3½	Hex Bolt -- 1¼" x 8" NC - Gr. 5 - Zinc .....	2
-	412420	½	Jam Nut -- 1¼" - 7 - Gr. 2 - Zinc .....	4
-	413117	-	Machine Washer -- 2¼" OD x 1¼" ID x 14 ga .....	4
4	461201	-	Decal -- Red Reflector - 4½" x 2" .....	4
5	204480	21½	Connecting Channel 48" .....	10
-	411560	-	Hex Bolt -- 5/8" x 1½" NC - Gr. 5 - Zinc .....	50
-	412010	-	Hex Nut -- 5/8" - 11 - Gr 2 - Zinc .....	50
-	413510	-	Lock Washer -- 5/8" - Zinc .....	50
6	411237	1	Hex Bolt -- 5/8" x 8" NC - Gr. 2 - Zinc .....	12
-	202350	-	Cup Washer for Spring.....(5/8") .....	12
-	410009	-	Lock Nut -- 5/8" NC - Gr 2 - Zinc .....	12
7	471006	1½	Compression Spring.....(7" Coil) .....	12
8	301860	7½	Parking Stand Bracket for 4" Sq. Tube .....	2
-	415010	1	5/8" Sq. U-Bolt x 4" x 5¼" Leg .....	4
-	412010	-	Hex Nut -- 5/8" - 11 - Gr. 2 - Zinc .....	8
-	413510	-	Lock Washer -- 5/8" - Zinc .....	8
-	416230	¾	3/4" Safety Lock Pin x 5½" OAL - Zinc.....	2
9	301856	22	Parking Stand Leg - 31½" .....	2

# 4" BOLT-ON SHANK HOLDER

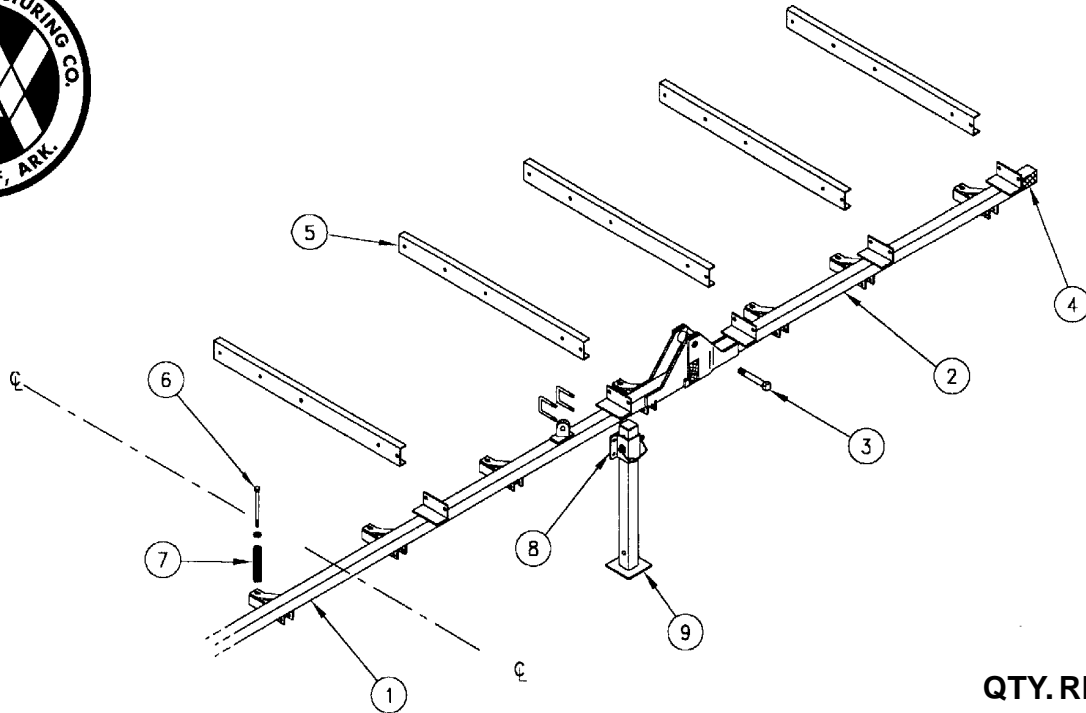
## Optional



<u>ITEM NO.</u>	<u>PART NO.</u>	<u>WT. LBS.</u>	<u>DESCRIPTION</u>	<u>QTY. REQ'D</u>
1	479075	6½	Friction Trip Foot .....	13
-	411549	-	Hex Bolt -- 1/2" x 2½" NC - Gr. 5 - Zinc .....	13
-	411563	½	Hex Bolt -- 5/8" x 3" NC - Gr. 5 - Zinc .....	13
-	411794	½	Carriage Bolt -- 3/4" x 3½" NC - Gr. 5 - Zinc .....	13
-	410009	-	Lock Nut -- 5/8" NC - Gr 2 - Zinc .....	13
-	410012	-	Lock Nut -- 3/4" NC - Gr 2 - Zinc .....	13
-	412008	-	Hex Nut -- 1/2" - 13 - Gr. 2 - Zinc .....	13
-	413056	-	Flat Washer, Heavy -- 5/8" - Zinc .....	26
-	413058	-	Flat Washer, Heavy -- 3/4" - Zinc .....	26
-	413508	-	Lock Washer -- 1/2" - Zinc .....	13
2	204210	25	Vertical Shank C1080 .....	11
-	302002	28	3" Offset Shank -- RH .....	1
-	302003	28	3" Offset SHank -- LH .....	1
-	416120	-	Roll Pin -- 3/8" x 2" - Zinc .....	13
3	479065	10¼	Bolt-On Shank Holder - 4" Tool Bar .....	11
-	414828	-	Square Head Set Screw -- 5/8" x 1¾" .....	39
-	412010	-	Hex Nut -- 5/8" - 11 - Gr 2 - Zinc .....	39
-	412410	-	Jam Nut -- 5/8" - 11 - Gr. 2 - Zinc .....	39
4	204275	6	Backing Plate for Bolt-On Shank Holder - 4" .....	11
-	411595	7¾	Hex Bolt -- 3/4" x 5½" - Gr. 5 - Zinc .....	22
-	412012	-	Hex Nut -- 3/4" - 10 - Gr. 2 - Zinc .....	22
-	413512	-	Lock Washer -- 3/4" - Zinc .....	22
N/I	474031	7¼	#11N Furrower .....	13

# BASKET FRAME

## 2012 and Prior

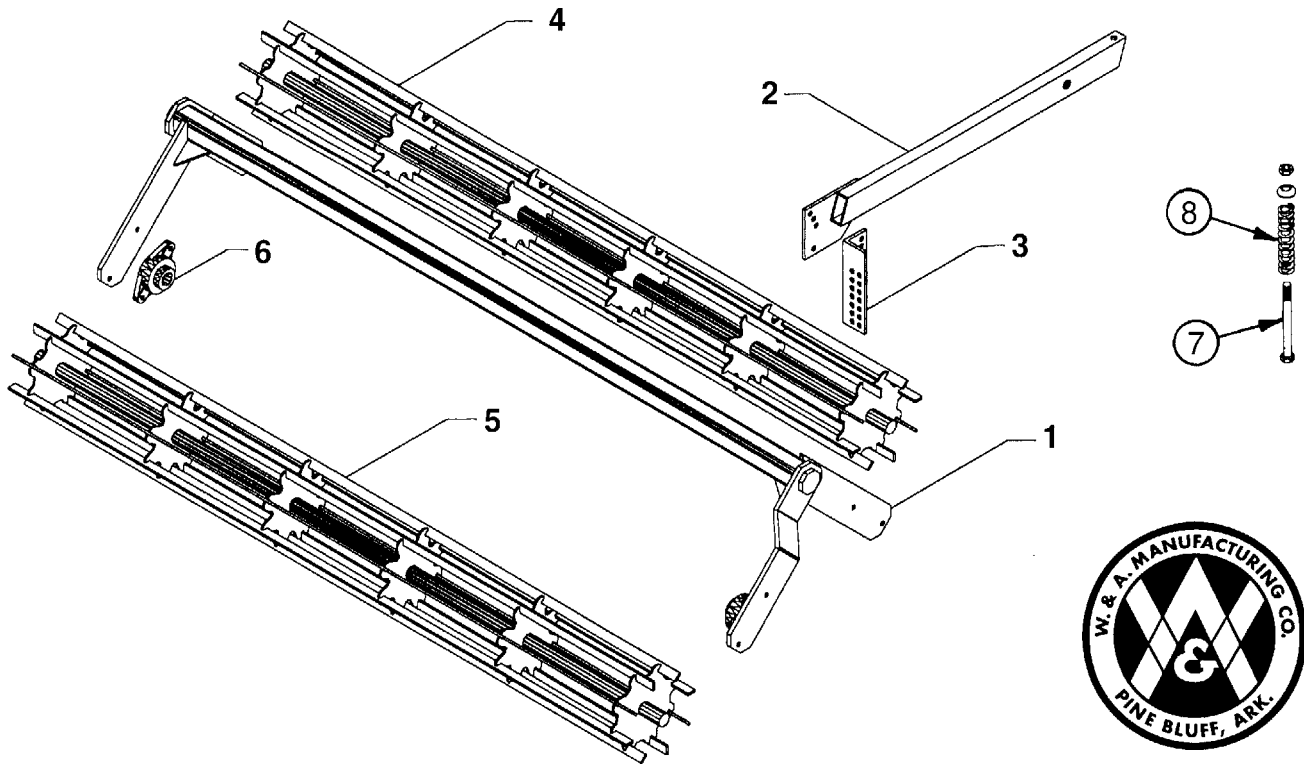


ITEM NO.	PART NO.	WT. LBS.	DESCRIPTION	QTY. REQ. FOR 1 MACHINE
1	302145	195	Rear Center Basket Frame (2½" Sq. Tube) .....	1
2	302146	101	Rear Wing Basket Frame - RH (2½" Sq.) -- Shown .....	1
-	302147	101	Rear Wing Basket Frame - LH (2½" Sq.) .....	1
3	411668	3	Hex Bolt -- 1¼" x 6½" NC - Gr. 5 - Zinc .....	2
-	412420	½	Jam Nut -- 1¼" - 7 - Gr. 2 - Zinc .....	4
-	413117	-	Machine Washer -- 2¼" OD x 1¼" ID x 14 ga .....	4
4	461201	-	Decal -- Red Reflector - 4½" x 2" .....	4
5	204480	21½	Connecting Channel 48" .....	10
-	411560	-	Hex Bolt -- 5/8" x 1½" NC - Gr. 5 - Zinc .....	50
-	412010	-	Hex Nut -- 5/8" - 11 - Gr 2 - Zinc .....	50
-	413510	-	Lock Washer -- 5/8" - Zinc .....	50
6	411237	1	Hex Bolt -- 5/8" x 8" NC - Gr. 2 - Zinc .....	12
-	202350	-	Cup Washer for Spring.....(5/8") .....	12
-	410009	-	Lock Nut -- 5/8" NC - Zinc.....	12
7	471006	1½	Compression Spring.....(7" Coil) .....	12
8	301855	6	Parking Stand Bracket .....	2
-	415108	½	1/2" U-Bolt x 2½" x 4" Leg - Grade 5 .....	4
-	412008	-	Hex Nut -- 1/2" - 13 - Gr. 2 - Zinc .....	8
-	413508	-	Lock Washer -- 1/2" - Zinc .....	8
-	416230	¾	3/4" Safety Lock Pin x 5½" OAL - Zinc.....	2
9	301856	22	Parking Stand Leg .....	2



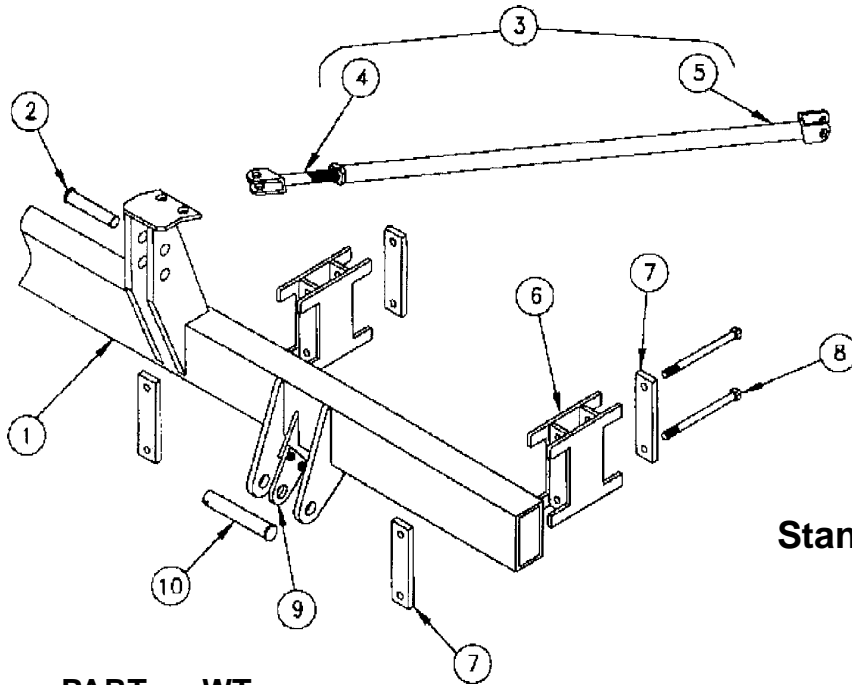
# ROLLING BASKETS

## 1½" Shaft and Bearings



ITEM NO.	PART NO.	WT. LBS.	DESCRIPTION	QTY. REQ. FOR 1 MACHINE
1	301968	101	Six Basket Frame 30" -- 1½" Brg (3 row) .....	4
2	301290	20½	Arm -- Rolling Basket.....	12
-	411551	-	Hex Bolt -- 1/2" x 3" NC - Gr. 5 - Zinc .....	12
-	410008	-	Lock Nut -- 1/2" NC - Zinc .....	12
3	202729	5½	Connecting Angle -- Rolling Basket .....	12
-	411546	-	Hex Bolt -- 1/2" x 1¾" NC - Gr. 5 - Zinc.....	24
-	415108	½	1/2" U-Bolt x 2½" x 4" Leg - Grade 5 .....	24
-	410008	-	Lock Nut -- 1/2" NC - Zinc.....	72
4	301966	110	88" Front Basket Only -- 1½" Brg. - 3 @ 30" Row .....	4
5	301967	110	88" Rear Basket Only -- 1½" Brg. - 3 @ 30" Row .....	4
6	507081	3¼	1½" Cast Flange Bearing Assembly .....	16
-	411546	-	Hex Bolt -- 1/2" x 1¾" NC - Gr. 5 - Zinc .....	32
-	410008	-	Lock Nut -- 1/2" NC - Zinc .....	32
7	411237	1	Hex Bolt -- 5/8" x 8" NC - Gr. 2 - Zinc .....	12
-	200412	-	Formed Head Holder .....	12
-	410009	-	Lock Nut -- 5/8" NC - Gr 2 - Zinc.....	12
-	202350	-	Cup Washer for Spring .....	12
8	471006	1½	Compression Spring.....	12

# HITCH ASSEMBLY



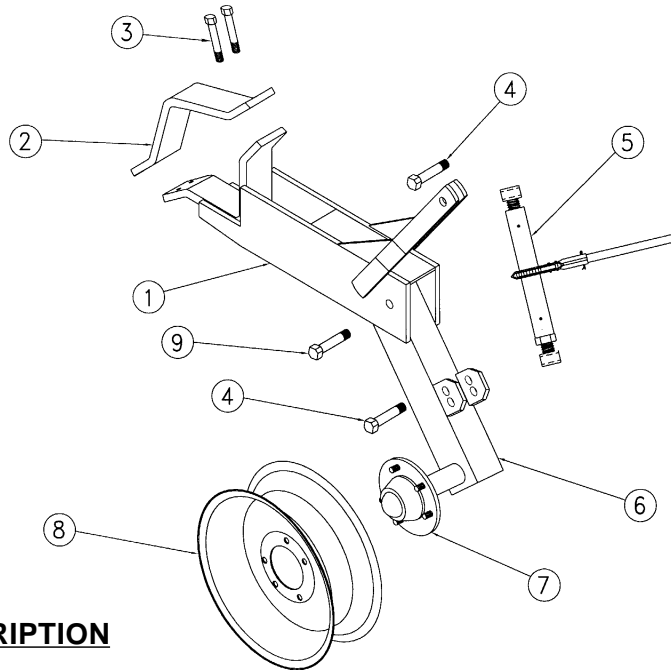
**Cat. III**  
**Standard or Narrow**

ITEM NO.	PART NO.	WT. LBS.	DESCRIPTION	QTY. REQ. FOR 1 HITCH
1	302005	324	Hitch (102" Main Tube) .....	1
2	416698	2	1 1/4" Top Link Pin - Zinc .....	1
-	416207	-	Klik Pin -- 7/16" - Zinc .....	1
3	773666	21 1/2	Adjusting Arm Assembly .....	2
-	416659	.70	Clevis Pin -- 1" x 2-21/32" - Zinc .....	4
-	416309	-	Rue Ring Cotter Pin 1" - Zinc .....	4
4	300381	5 1/4	Turnbuckle Bottom (Rod) .....	2
5	301602	16 1/4	Turnbuckle Body (65" Pipe) .....	2
6	302014	25	5" Spacer Block -- Top Leveling Stacker .....	4
7	203960	5	Backing Plate -- Top Leveling Stacker .....	8
-	411598	1/2	Hex Bolt -- 3/4" x 6 1/2" NC - Gr 5 - Zinc .....	8
-	412012	-	Hex Nut -- 3/4" - 10 - Gr 2 - Zinc .....	8
-	413512	-	Lock Washer -- 3/4" - Zinc .....	8
8	411604	1 1/4	Hex Bolt -- 3/4" x 10" NC - Gr 5 - Zinc .....	8
-	412012	-	Hex Nut -- 3/4" - 10 - Gr 2 - Zinc .....	8
-	413512	-	Lock Washer -- 3/4" - Zinc .....	8
9	204117	3	Hitch Center Pull Plate .....	2
-	411214	1/4	Hex Bolt -- 5/8" x 2" NC - Gr 2 - Zinc .....	4
-	412010	-	Hex Nut -- 5/8" - 11 - Gr 2 - Zinc .....	4
-	413510	-	Lock Washer -- 5/8" - Zinc .....	4
10	300841	4 1/4	Hitch Pin -- 1-7/16" x 9" .....	2
-	416207	-	Klik Pin -- 7/16" - Zinc .....	2

# RATCHET ADJ. GAUGE WHEELS



**No. 1338**  
1 Pair Required



ITEM NO.	PART NO.	WT. LBS.	DESCRIPTION	QTY. REQ. FOR 1 ASSEMBLY
1	302225	60	Holder -- Gauge Wheels .....	1
2	203770	10	Backing Clamp for 7" Sq. Bar.....	1
3	411591	1/2	Hex Bolt -- 3/4" x 4" NC - Gr 5 - Zinc .....	4
-	412012	-	Hex Nut -- 3/4" - 10 - Gr 2 - Zinc.....(Not Illustrated) ...	4
-	413512	-	Lock Washer -- 3/4" - Zinc.....(Not Illustrated) ...	4
4	411591	1/2	Hex Bolt -- 3/4" x 4" NC - Gr 5 - Zinc .....	2
-	412012	-	Hex Nut -- 3/4" - 10 - Gr 2 - Zinc.....(Not Illustrated) ...	2
-	413512	-	Lock Washer -- 3/4" - Zinc.....(Not Illustrated) ...	2
5	302025	11 1/2	Ratchet Crank Assembly .....	1
6	302226	34 3/4	RH Leg w/Hub -- #1338 Gauge Wheel .....	1
-	302227	34 3/4	LH Leg w/Hub -- #1338 Gauge Wheel.....(Not Illustrated) ...	1
7	491119	11	5 Hole Hub Complete - Q-719 .....	1
-	491007	9 3/4	Hub w/Cups Only - Q-719.....(Not Illustrated) ...	1
-	481205	1/4	Cone - Q809 & Q719 - LM67048.....(Not Illustrated) ...	1
-	496010	-	Outer Cup - Q809 & Q719 - LM67010.....(Not Illustrated) ...	1
-	481204	1/4	Cone - Q809 & Q719 - LM48548.....(Not Illustrated) ...	1
-	496011	-	Inner Cup - Q809 & Q719 - LM48510.....(Not Illustrated) ...	1
-	497010	-	Grease Seal - Q719 - CR 15190.....(Not Illustrated) ...	1
-	490006	1/4	Hub Cap - Q809 & Q719.....(Not Illustrated) ...	1
-	490015	-	1/2" NF Lug Nut.....(Not Illustrated) ...	5
-	490017	-	Drive-In Hub Bolt - Q719.....(Not Illustrated) ...	5
-	412164	-	Slotted Nut -- 7/8" - 14 Spindle.....(Not Illustrated) ...	1
-	490034	-	Spindle Washer -- 7/8" - Q875/Q809/Q719.....(Not Illustrated) ...	1
8	493007	17	15" x 5" x 5 Hole Wheel .....	1
9	411594	3/4	Hex Bolt -- 3/4" x 5" NC - Gr 5 - Zinc .....	1
-	412012	-	Hex Nut -- 3/4" - 10 - Gr 2 - Zinc.....(Not Illustrated) ...	1
-	413512	-	Lock Washer -- 3/4" - Zinc.....(Not Illustrated) ...	1

**USE ONLY**

**W & A REPLACEMENT PARTS**



**W & A Manufacturing Company**

1810 Ohio Street  
Phone (870) 534-7420

P.O. Box 5238  
Fax (800) 336-1318

**PINE BLUFF, ARKANSAS 71611**

*[www.wamfgco.com](http://www.wamfgco.com)*