

W & A

PARTS MANUAL



STACKER LEVEL BANDER

**Model No. 3640 -- 12 @ 38" Row
2011 and Later
Serial No.: ASLB 1626-12 and Later**



Quality Products from

W & A MANUFACTURING COMPANY

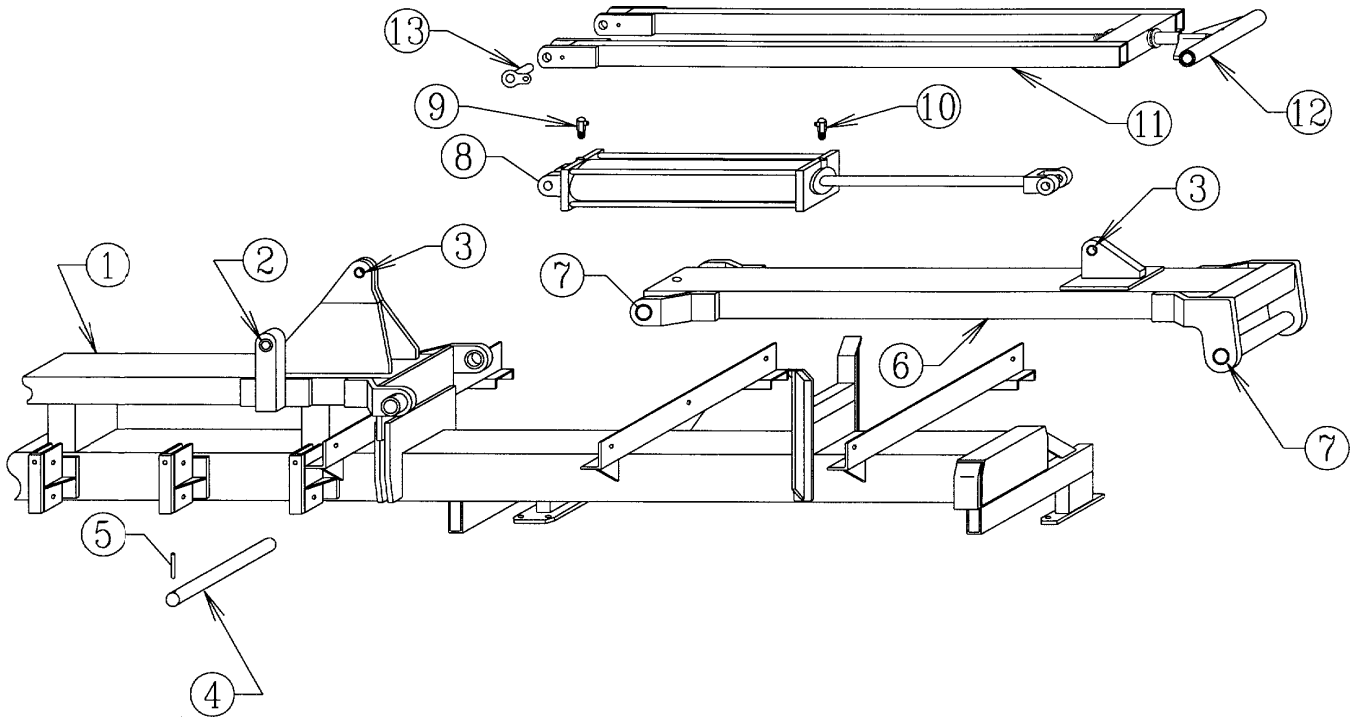
P.O. Box 5238, Pine Bluff, Arkansas 71611

Phone: (870) 534-7420

Fax: (800) 336-1318

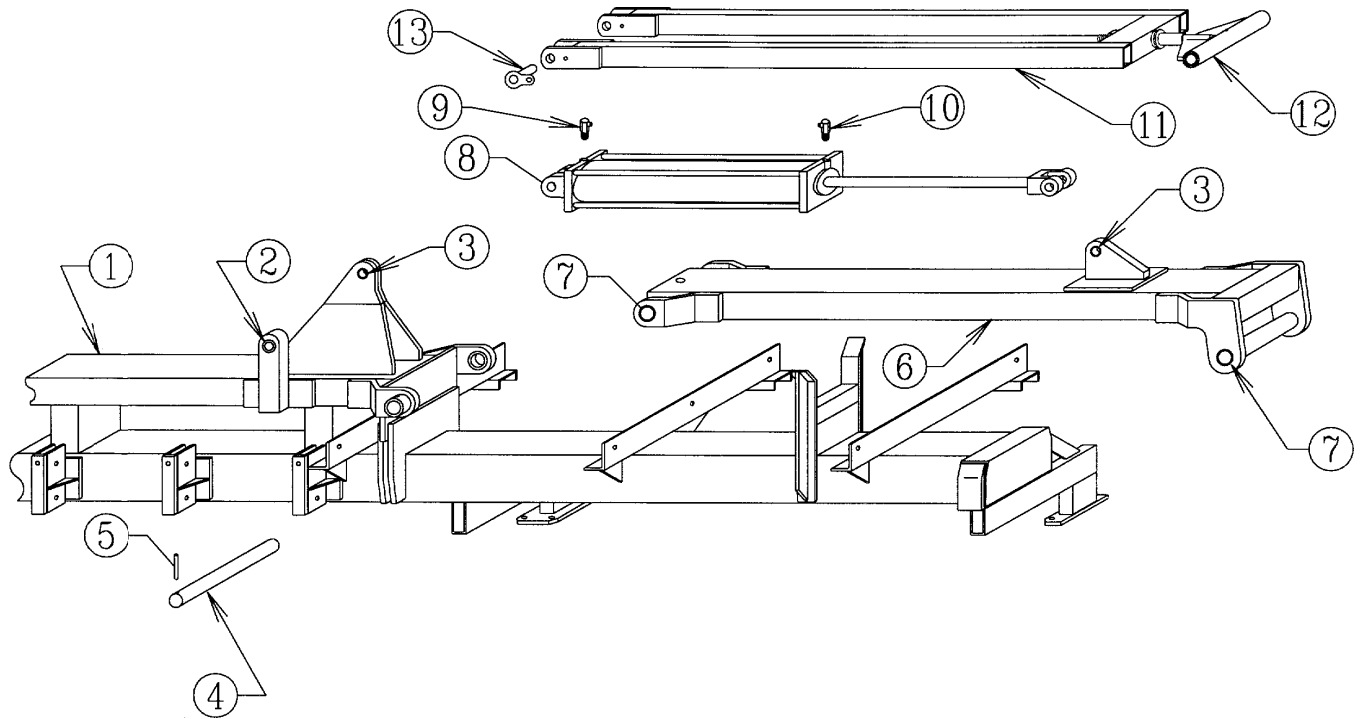
Website: www.wamfgco.com

CENTER SECTION



<u>ITEM NO.</u>	<u>PART NO.</u>	<u>WT. LBS.</u>	<u>DESCRIPTION</u>	<u>QTY. REQ. FOR 1 MACHINE</u>
1	301870	1674	Center Section -- 12 @ 38" Row Stacker	1
2	401084	¼	Form 1 Bushing -- 1½" OD x 1¼" ID x 1½" Long	4
3	401080	¼	Form 1 Bushing -- 1½" OD x 1¼" ID x 1" Long	4
4	203948	14¼	2" Pivot Pin x 16¼"	4
-	413124	-	Machine Washer -- 3" OD x 2" ID x 10 Ga.....(Not Illustrated) ...	8
5	416133	-	Roll Pin -- 1/2" x 3½" - Zinc	4
6	301802	265	Power Arm -- Top Leveling Stacker	2
7	401118	½	Bushing -- 2.376" OD x 2.006" ID x 2" Long	8
-	450004	-	1/4" Drive-in Grease Fitting.....(Not Illustrated) ...	4
8	476029	126	Hydraulic Cylinder -- 5" x 30" (w/Pins)	2
-	477056	-	Seal Kit -- 5" x 24" & 5" x 30" Lion Cyl. 2" Rod.....(Not Illustrated) ...	-
9	446188	¼	1/2" x 1/2" Swivel Orifice Elbow	2
10	446188	¼	1/2" x 1/2" Swivel Orifice Elbow	2
-	785103	½	3/8" Hydraulic Hose x 103".....(Not Illustrated) ...	2
-	785120	½	3/8" Hydraulic Hose x 120".....(Not Illustrated) ...	2

CENTER SECTION (Continued)



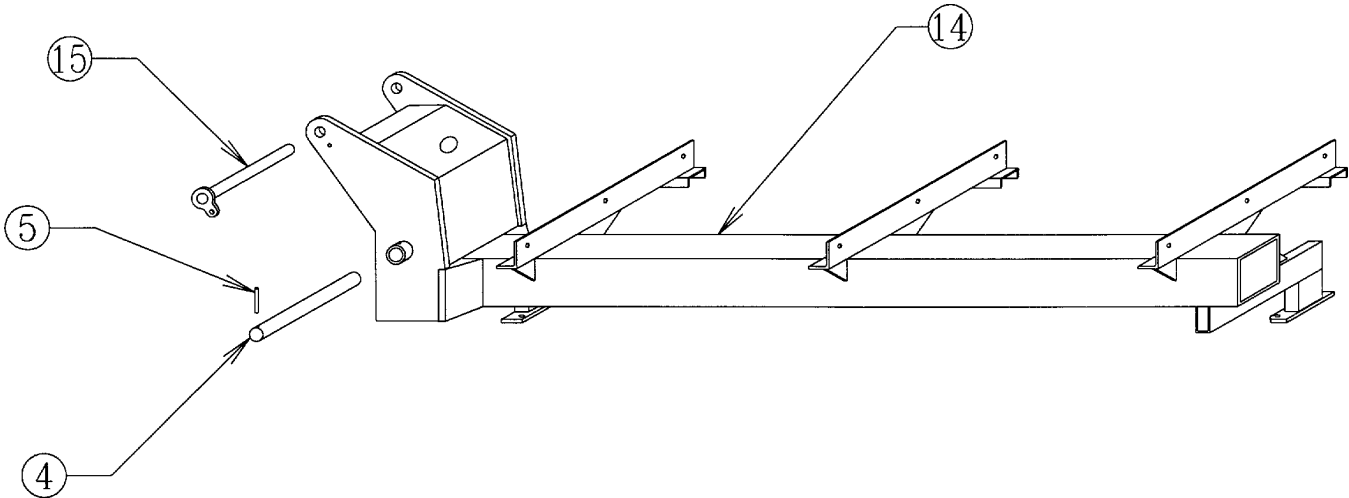
ITEM NO.	PART NO.	WT. LBS.	DESCRIPTION	QTY. REQ. FOR 1 MACHINE
11	301820	88	Leveling Arm -- For 1½" Dia. Rod	2
12	301819	19¾	Leveling Arm End with Lock Nut – 1½" Dia.Rod.....	2
-	410032	1	Lock Nut -- 1½" NF - Top Lock - Zinc.....(Not Illustrated) ...	2
-	412024	¾	Hex Nut -- 1½" - 6 - Gr 2 - Zinc.....(Not Illustrated) ...	2
-	413120	-	Machine Washer -- 2¼" OD x 1½" ID x 10 Ga.....(Not Illustrated) ...	2
-	450004	-	1/4" Drive-in Grease Fitting.....(Not Illustrated) ...	2
-	401095	-	Form 1 Bushing -- 1-7/8" OD x 1½" ID x 1"Long.....(Not Illustrated) ...	4
13	301824	1¾	Small Pin -- 1¼" x 2½" Stacker Bar	4
-	411545	-	Hex Bolt -- 1/2" x 1½" NC - Gr 5 - Zinc.....(Not Illustrated) ...	4
-	413008	-	Flat Washer -- 1/2" - Zinc.....(Not Illustrated) ...	4
-	413508	-	Lock Washer -- 1/2" - Zinc.....(Not Illustrated) ...	4

USE ONLY



W & A REPLACEMENT PARTS

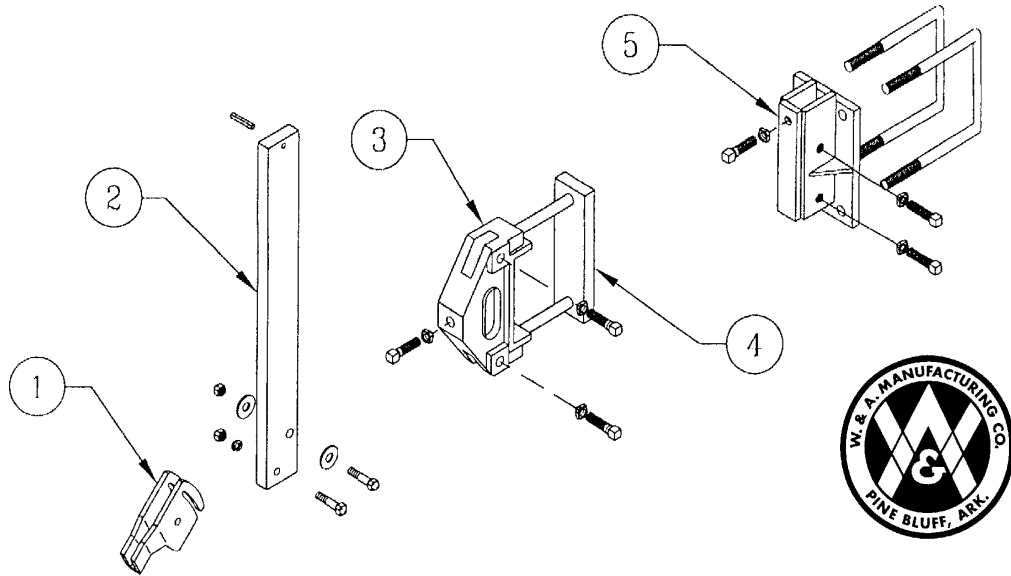
WING



ITEM NO.	PART NO.	WT. LBS.	DESCRIPTION	QTY. REQ. FOR 1 MACHINE
4	203948	14¼	2" Pivot Pin x 16¼"	4
-	413124	-	Machine Washer -- 3" OD x 2" ID x 10 Ga.....(Not Illustrated) ...	8
5	416133	-	Roll Pin -- 1/2" x 3½"	4
14	301871	601	Wing – RH.....(Not Illustrated) ...	1
-	301872	601	Wing – LH (Shown)	1
15	301825	8	Top Pin -- Top Leveling Stacker	2
-	411545	-	Hex Bolt -- 1/2" x 1½" NC - Gr 5 - Zinc.....(Not Illustrated) ...	2
-	413008	-	Flat Washer -- 1/2" - Zinc.....(Not Illustrated) ...	2
-	413508	-	Lock Washer -- 1/2" - Zinc.....(Not Illustrated) ...	2



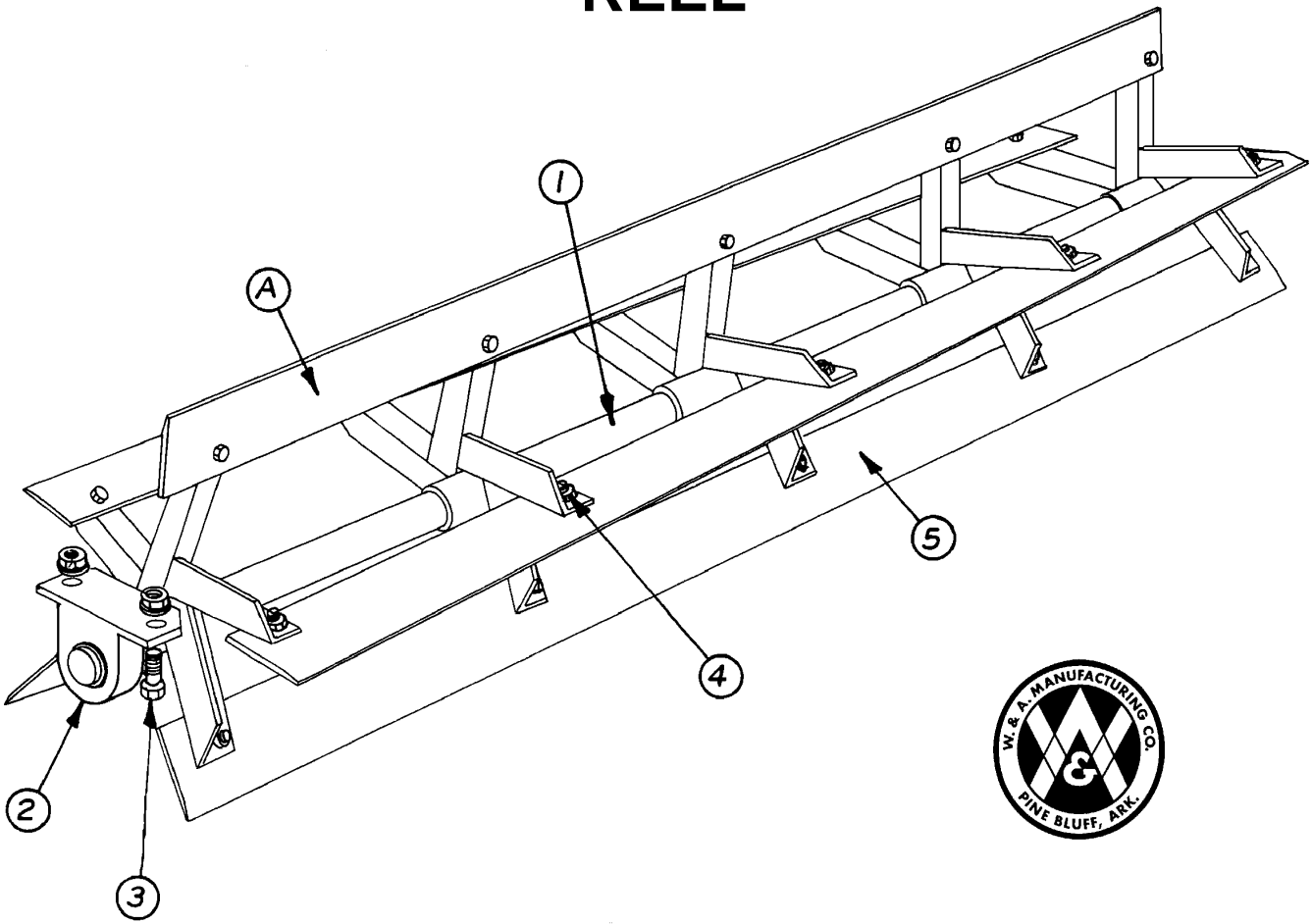
ROOT ROOTERS



ITEM NO.	PART NO.	WT. LBS.	DESCRIPTION	QTY. REQ. FOR 1 MACHINE
1	300244	3½	Friction Trip Foot -- Root Rooter	12
-	411549	-	Hex Bolt -- 1/2" x 2½" NC - Gr 5 - Zinc	24
-	412008	-	Hex Nut -- 1/2" - 13 - Gr 2 - Zinc	24
-	413508	-	Lock Washer -- 1/2" - Zinc	24
-	413008	-	Flat Washer -- 1/2" - Zinc	24
2	201557	23¼	Vertical Root Rooter Shank -- 28"	12
-	416120	-	Roll Pin -- 3/8" x 2" - Zinc	12
3	479069	13½	Bolt-On Shank Holder - 7" Tool Bar	8
-	414828	-	Square Head Set Screw -- 5/8" x 1¾"	24
-	412310	-	Square Nut -- 5/8" - 11 - Gr 2 - Zinc	24
-	412410	-	Jam Nut -- 5/8" - 11 - Gr 2 - Zinc	24
4	204274	9	Backing Plate for Bolt-on Shank Holder - 7"	8
-	411601	1¼	Hex Bolt -- 3/4" x 8½" - Gr 5 - Zinc	16
-	412012	-	Hex Nut -- 3/4" - 10 - Gr 2 - Zinc	16
-	413512	-	Lock Washer -- 3/4" - Zinc	16
5	302036	19½	Center Bolt-On Shank Holder	2
-	415004	2½	3/4" Sq. U-Bolt x 7" x 9" Leg	4
-	412012	-	Hex Nut -- 3/4" - 10 - Gr 2 - Zinc	8
-	413512	-	Lock Washer -- 3/4" - Zinc	8
-	414828	-	Square Head Set Screw -- 5/8" x 1¾"	12
-	412410	-	Jam Nut -- 5/8" - 11 - Gr 2 - Zinc	12
N/I	474016	4½	16" Mixed Land Sweep (1/4").....(Not Illustrated)	12
-	411834	-	Plow Bolt -- 7/16" x 2" NC - Gr 5 - #3 - Zinc.....(Not Illustrated)	12
-	411836	-	Plow Bolt -- 7/16" x 3" NC - Gr 5 - #3 - Zinc.....(Not Illustrated)	12
-	412007	-	Hex Nut -- 7/16" - 14 - Gr 2 - Zinc.....(Not Illustrated)	24
-	413507	-	Lock Washer -- 7/16" - Zinc.....(Not Illustrated)	24

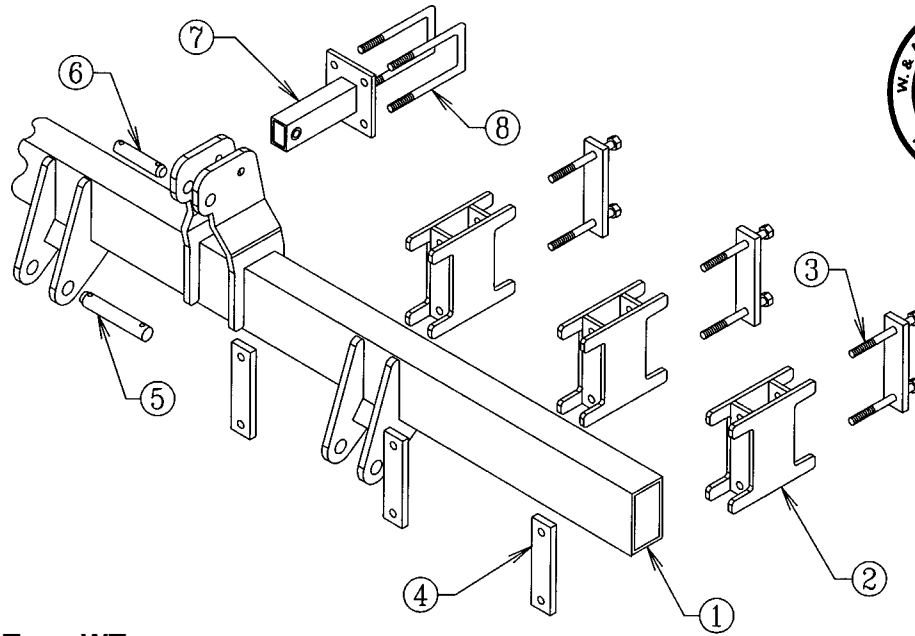
NOTE: On 12@ 38" Row Level Bander -- TWO Shank Holders are welded on frame.

REEL



ITEM NO.	PART NO.	WT. LBS.	DESCRIPTION	QTY. REQ. FOR 1 MACHINE
A	770020	235	Spiral 6 ft Reel Complete w/Bearings.....	3
-	770021	340	Spiral 106" Reel Complete w/Bearings - Wings.....(Not Illustrated) ...	2
1	300451	116	77" Reel Shaft w/5 Support Brackets	3
-	301067	187	114" Reel Shaft w/7 Support Brackets - Wings.....(Not Illustrated) ...	2
2	482101	4	1-15/16" Pillow Block & Bearing Complete	10
-	481215	1	1-15/16" Bearing w/Lock Collar.....(Not Illustrated) ...	-
-	480006	3	Pillow Block for 1-15/16" Bearing.....(Not Illustrated) ...	-
3	411562	-	Hex Bolt -- 5/8" x 2 1/2" NC - Gr 5 - Zinc	20
-	410009	-	Lock Nut -- 5/8" NC - Zinc	20
-	413010	-	Flat Washer -- 5/8" - Zinc	20
4	411211	-	Hex Bolt -- 5/8" x 1 1/4" NC - Gr 2 - Zinc	145
-	410009	-	Lock Nut -- 5/8" NC - Zinc	145
5	200539	20	Spiral Pulvamer Blade x 72"	15
-	202168	31	Spiral Pulvamer Blade x 106" - Wings.....(Not Illustrated) ...	10

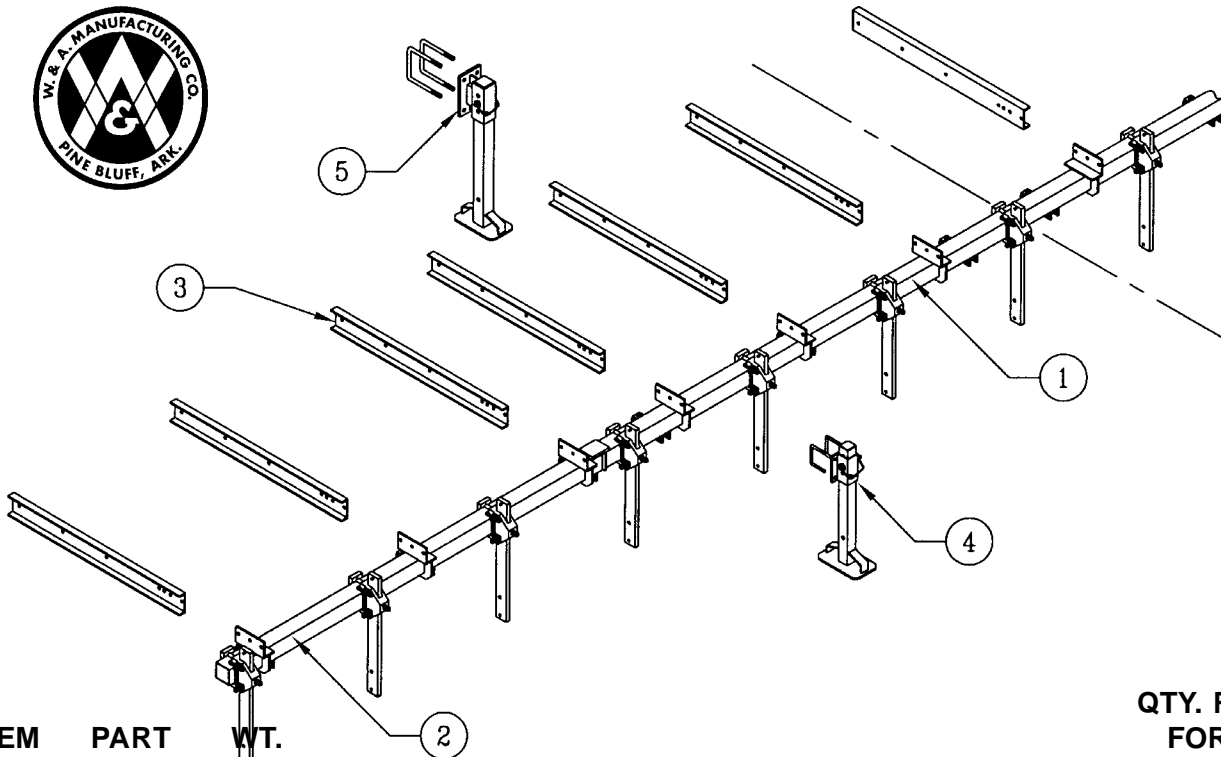
HITCH ASSEMBLY



ITEM NO.	PART NO.	WT. LBS.	DESCRIPTION	QTY. REQ. FOR 1 HITCH
1	301833	361	Wide Hitch -- Top Leveling Stacker	1
2	302014	25	5" Spacer Block -- Top Leveling Stacker	6
3	203960	5	Backing Plate -- Top Leveling Stacker	6
-	411604	1¼	Hex Bolt -- 3/4" x 10" - Gr 5 - Zinc	12
-	412012	-	Hex Nut -- 3/4" - 10 - Gr 2 - Zinc.....(Not Illustrated) ...	12
-	413512	-	Lock Washer -- 3/4" - Zinc.....(Not Illustrated) ...	12
4	203960	5	Backing Plate -- Top Leveling Stacker	6
-	411598	½	Hex Bolt -- 3/4" x 6½" NC - Gr 5 - Zinc.....(Not Illustrated) ...	12
-	412012	-	Hex Nut -- 3/4" - 10 - Gr 2 - Zinc.....(Not Illustrated) ...	12
-	413512	-	Lock Washer -- 3/4" - Zinc.....(Not Illustrated) ...	12
5	200876	3¾	Hardened Pull Pin -- 1-7/16" x 8-3/8" - Zinc	2
-	416207	-	Klik Pin -- 7/16" - Zinc.....(Not Illustrated) ...	2
-	416133	-	Roll Pin -- 1/2" x 3½" - Zinc.....(Not Illustrated) ...	2
6	200853	2	Hardened Top Link Pin -- 1¼" x 5-15/16" - Zinc	1
-	416207	-	Klik Pin -- 7/16" - Zinc.....(Not Illustrated) ...	1
-	416120	-	Roll Pin -- 3/8" x 2" - Zinc.....(Not Illustrated) ...	1
7	301836	11	Top Connector -- 5" Spacer - Hitch Assm	1
-	411822	¾	Hex Bolt -- 3/4" x 5" NC - Gr 8 - Zinc	1
-	412012	-	Hex Nut -- 3/4" - 10 - Gr 2 - Zinc.....(Not Illustrated) ...	1
-	413512	-	Lock Washer -- 3/4" - Zinc.....(Not Illustrated) ...	1
8	415006	2	3/4" Sq. U-Bolt x 4" x 8½" Leg - Gr 5	2
-	412012	-	Hex Nut -- 3/4" - 10 - Gr 2 - Zinc.....(Not Illustrated) ...	4
-	413512	-	Lock Washer -- 3/4" - Zinc.....(Not Illustrated) ...	4

REAR BASKET FRAME

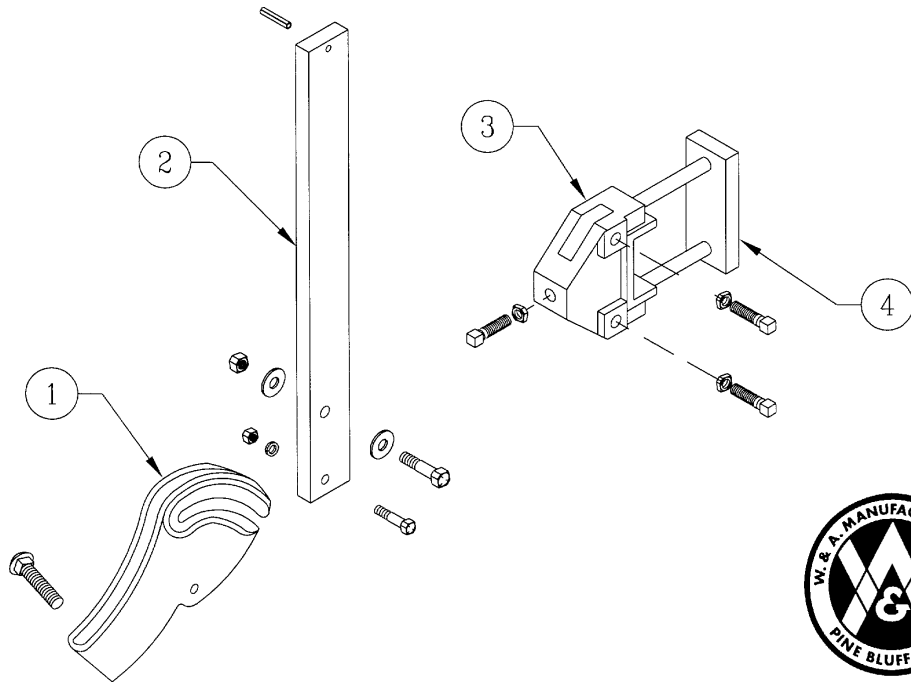
2011 and Later



ITEM NO.	PART NO.	WT. LBS.	DESCRIPTION	QTY. REQ. FOR 1 MACHINE
1	302210	335	Center Clamp and Basket Holder (241 ³ / ₄ " Tube)	1
2	302211	154	RH Wing Holder (110 ¹ / ₄ " Tube).....(Not Illustrated) ...	1
-	302212	154	LH Wing Holder (110 ¹ / ₄ " Tube)	1
3	204023	27 ¹ / ₂	Connecting Channel -- 5" x 51" with 7 Holes	12
-	411560	¹ / ₄	Hex Bolt -- 5/8" x 1 ¹ / ₂ " NC - Gr 5 - Zinc.....(Not Illustrated) ...	72
-	410009	-	Lock Nut -- 5/8" NC - Zinc.....(Not Illustrated)	72
4	773976	76	Rear Mount Parking Stand Assembly (Pair)	1
-	301860	7 ¹ / ₂	Holder - Rear Stand for 4" Sq. Tube	2
-	302233	26 ¹ / ₂	Parking Stand Leg (2 ¹ / ₂ " Sq. Tube x 36")	2
-	415010	1	5/8" Sq. U-Bolt x 4" x 5 ¹ / ₄ " Leg.....	4
-	412010	-	Hex Nut -- 5/8" - 11 - Gr. 2 - Zinc.....(Not Illustrated) ...	8
-	413510	-	Lock Washer -- 5/8" - Zinc.....(Not Illustrated)	8
-	416230	³ / ₄	3/4" Safety Lock Pin x 5 ¹ / ₂ " OAL - Zinc.....(Not Illustrated)	2
5	773961	114	Front Mount Parking Stand Assembly (Pair)	1
-	302222	19 ¹ / ₂	Holder - Front Parking Stand	2
-	302232	30 ¹ / ₂	Parking Stand Leg (3" Sq. Tube x 36")	2
-	415004	2 ¹ / ₂	3/4" Sq. U-Bolt x 7" x 9" Leg	4
-	412012	-	Hex Nut -- 3/4" - 10 - Gr. 2 - Zinc.....(Not Illustrated) ...	8
-	413512	-	Lock Washer -- 3/4" - Zinc.....(Not Illustrated)	8
-	416230	³ / ₄	3/4" Safety Lock Pin x 5 ¹ / ₂ " OAL - Zinc.....(Not Illustrated)	2

4" BOLT-ON SHANK HOLDER

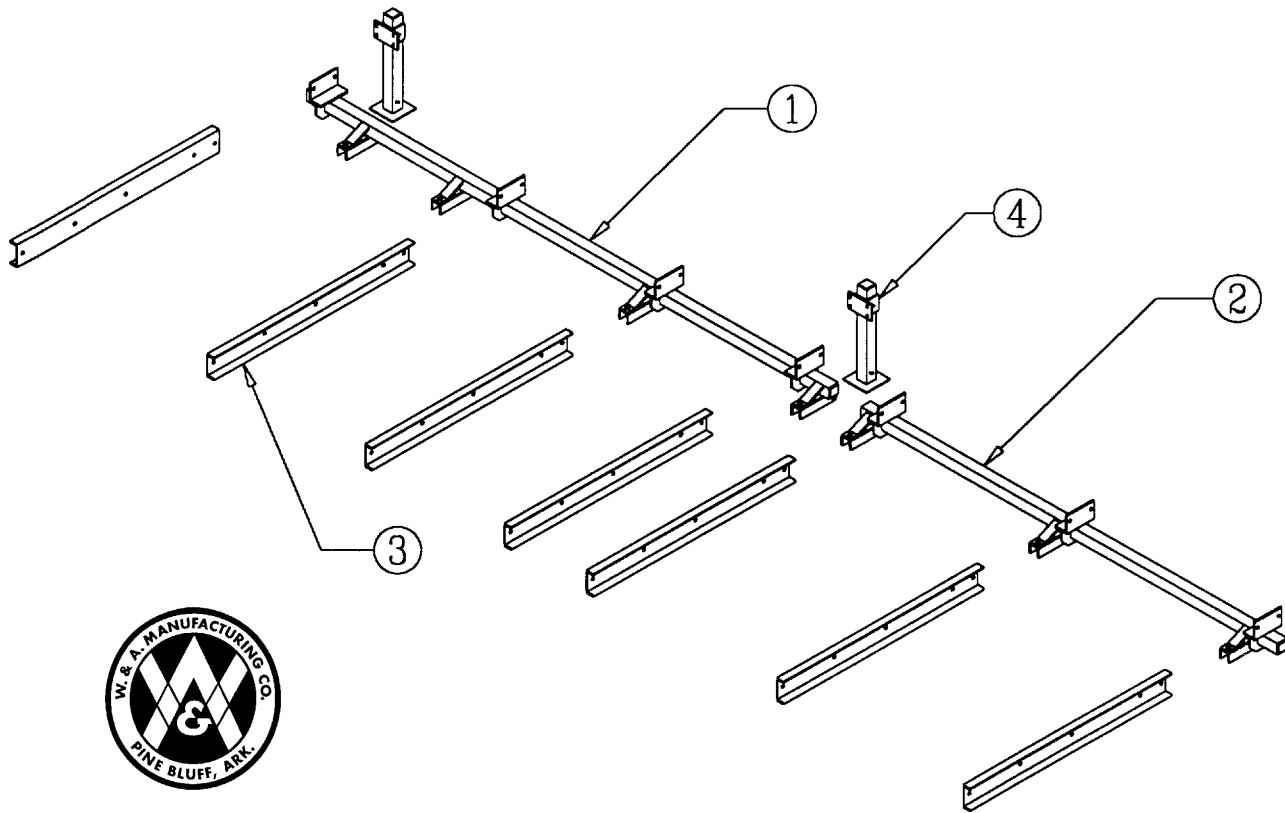
Optional



ITEM NO.	PART NO.	WT. LBS.	DESCRIPTION	QTY. REQ. FOR 1 MACHINE
1	479075	6½	Friction Trip Foot	13
-	411549	-	Hex Bolt -- 1/2" x 2-1/2" NC - Gr.5 - Zinc	13
-	411563	½	Hex Bolt -- 5/8" x 3" NC - Gr.5 - Zinc.....	13
-	411794	½	Carriage Bolt -- 3/4" x 3-1/2" NC - Gr.5 - Zinc	13
-	410009	-	Lock Nut -- 5/8" NC - Zinc.....	13
-	410012	-	Lock Nut -- 3/4" NC - Zinc.....	13
-	412008	-	Hex Nut -- 1/2" - 13 - Gr.2 - Zinc	13
-	413056	-	Flat Washer, Heavy -- 5/8" - Zinc	26
-	413058	-	Flat Washer, Heavy -- 3/4" - Zinc	13
-	413508	-	Lock Washer -- 1/2" - Zinc.....	13
2	204210	25	Vertical Shank C1080	13
-	416120	-	Roll Pin -- 3/8" x 2" - Zinc.....	13
3	479065	10¼	Bolt-On Shank Holder - 4" Tool Bar	13
-	414828	-	Square Head Set Screw -- 5/8" x 1-3/4"	39
-	412010	-	Hex Nut -- 5/8" - 11 - Gr.2 - Zinc	39
-	412410	-	Jam Nut -- 5/8" - 11 - Gr.2 - Zinc	39
4	204275	6	Backing Plate for Bolt-on Shank Holder - 4"	13
-	411595	¾	Hex Bolt -- 3/4" x 5-1/2" NC - Gr.5 - Zinc	26
-	412012	-	Hex Nut -- 3/4" - 10 - Gr.2 - Zinc	26
-	413512	-	Lock Washer -- 3/4" - Zinc.....	26
N/I	474031	7¼	#11N Furrower.....(Not Illustrated) ...	13

REAR BASKET FRAME

2010 and Prior

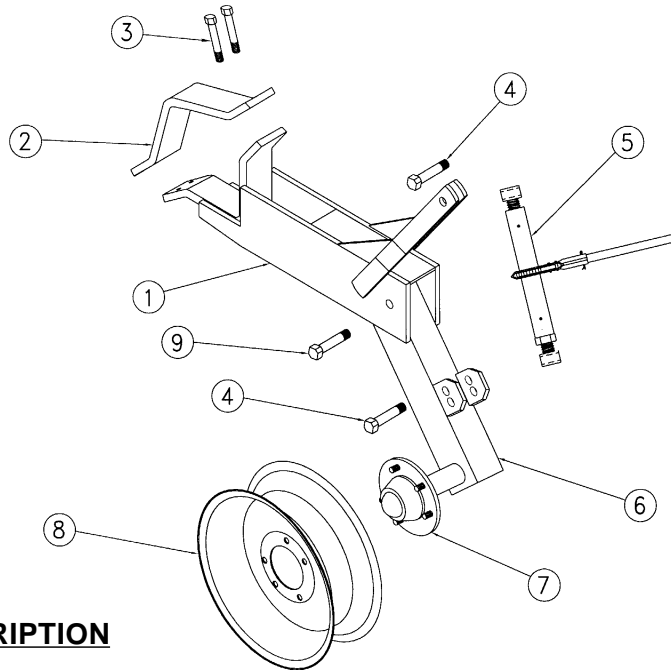


ITEM NO.	PART NO.	WT. LBS.	DESCRIPTION	QTY. REQ. FOR 1 MACHINE
1	301852	203	Center Basket Holder.....(2½" Sq. Tube).....	1
2	301853	102	Wing Basket Holder –RH.....(Not Illustrated) ...	1
-	301854	102	Wing Basket Holder –LH.....	1
3	204023	27½	Connecting Channel – 5" x 51" with 7 Holes	12
-	411560	-	Hex Bolt -- 5/8" x 1½" NC - Gr 5 - Zinc.....(Not Illustrated) ...	60
-	412010	-	Hex Nut -- 5/8" - 11 - Gr 2 - Zinc.....(Not Illustrated) ...	60
-	413510	-	Lock Washer -- 5/8" - Zinc.....(Not Illustrated) ...	60
4	301855	6	Parking Stand Bracket.....	2
-	301856	21	Parking Stand Leg.....	2
-	415108	½	1/2" U-Bolt x 2½" x 4" Leg - Grade 5.....(Not Illustrated) ...	4
-	412008	-	Hex Nut -- 1/2" - 13 - Gr 2 - Zinc.....(Not Illustrated) ...	8
-	413508	-	Lock Washer -- 1/2" - Zinc.....(Not Illustrated) ...	8
-	416230	¾	3/4" Safety Lock Pin x 5½" OAL - Zinc.....(Not Illustrated) ...	2

RATCHET ADJ. GAUGE WHEELS



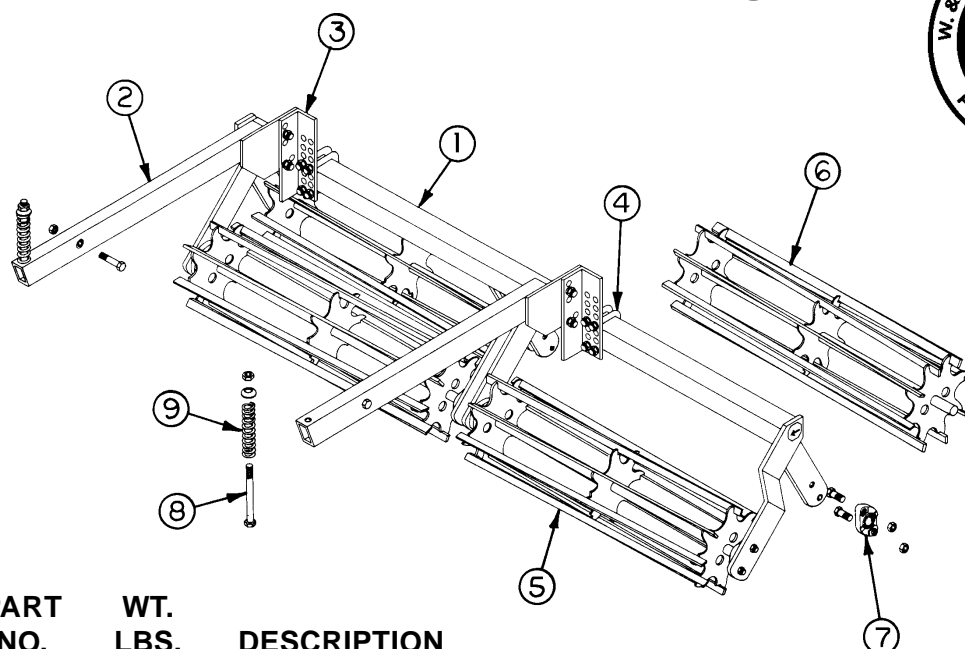
No. 1338
2 Pair Required



ITEM NO.	PART NO.	WT. LBS.	DESCRIPTION	QTY. REQ. FOR 1 ASSEMBLY
1	302225	60	Holder -- Gauge Wheels	1
2	203770	10	Backing Clamp for 7" Sq. Bar.....	1
3	411591	1/2	Hex Bolt -- 3/4" x 4" NC - Gr 5 - Zinc	4
-	412012	-	Hex Nut -- 3/4" - 10 - Gr 2 - Zinc.....(Not Illustrated) ...	4
-	413512	-	Lock Washer -- 3/4" - Zinc.....(Not Illustrated) ...	4
4	411591	1/2	Hex Bolt -- 3/4" x 4" NC - Gr 5 - Zinc	2
-	412012	-	Hex Nut -- 3/4" - 10 - Gr 2 - Zinc.....(Not Illustrated) ...	2
-	413512	-	Lock Washer -- 3/4" - Zinc.....(Not Illustrated) ...	2
5	302025	11 1/2	Ratchet Crank Assembly	1
6	302226	34 3/4	RH Leg w/Hub -- #1338 Gauge Wheel	1
-	302227	34 3/4	LH Leg w/Hub -- #1338 Gauge Wheel.....(Not Illustrated) ...	1
7	491119	11	5 Hole Hub Complete - Q-719	1
-	491007	9 3/4	Hub w/Cups Only - Q-719.....(Not Illustrated) ...	1
-	481205	1/4	Cone - Q809 & Q719 - LM67048.....(Not Illustrated) ...	1
-	496010	-	Outer Cup - Q809 & Q719 - LM67010.....(Not Illustrated) ...	1
-	481204	1/4	Cone - Q809 & Q719 - LM48548.....(Not Illustrated) ...	1
-	496011	-	Inner Cup - Q809 & Q719 - LM48510.....(Not Illustrated) ...	1
-	497010	-	Grease Seal - Q719 - CR 15190.....(Not Illustrated) ...	1
-	490006	1/4	Hub Cap - Q809 & Q719.....(Not Illustrated) ...	1
-	490015	-	1/2" NF Lug Nut.....(Not Illustrated) ...	5
-	490017	-	Drive-In Hub Bolt - Q719.....(Not Illustrated) ...	5
-	412164	-	Slotted Nut -- 7/8" - 14 Spindle.....(Not Illustrated) ...	1
-	490034	-	Spindle Washer -- 7/8" - Q875/Q809/Q719.....(Not Illustrated) ...	1
8	493007	17	15" x 5" x 5 Hole Wheel	1
9	411594	3/4	Hex Bolt -- 3/4" x 5" NC - Gr 5 - Zinc	1
-	412012	-	Hex Nut -- 3/4" - 10 - Gr 2 - Zinc.....(Not Illustrated) ...	1
-	413512	-	Lock Washer -- 3/4" - Zinc.....(Not Illustrated) ...	1

ROLLING BASKETS

1 1/4" Shaft and Bearings



ITEM NO.	PART NO.	WT. LBS.	DESCRIPTION	QTY. REQ. FOR 1 MACHINE
1	301954	100	Four Basket Frame -- 1 1/4" Brg. - 2 row.....	-
-	301955	150	Six Basket Frame 38" -- 1 1/4" Brg. - 3 row.....(Not Illustrated)	4
2	301290	20 1/2	Arm -- Rolling Baskets.....	12
-	411551	-	Hex Bolt -- 1/2" x 3" - Gr 5 - Zinc.....	12
-	410008	-	Lock Nut -- 1/2" - Zinc.....	12
3	202729	5 1/2	Connecting Angle - Rolling Baskets.....	12
-	411545	-	Hex Bolt -- 1/2" x 1 1/2" NC - Gr 5 - Zinc.....(Not Illustrated)	24
-	410008	-	Lock Nut -- 1/2" - Zinc.....(Not Illustrated)	24
4	415108	1/2	1/2" U-Bolt x 2 1/2" x 4" Leg - Grade 5.....	24
-	410008	-	Lock Nut -- 1/2" - Zinc.....(Not Illustrated)	48
5	301948	41 1/4	Front Rolling Basket Only -- 1 1/4" Shaft.....	12
-	202749	2.7	Blade Only for Front Rolling Baskets.....(Not Illustrated)	-
6	301949	41 1/4	Rear Rolling Basket Only -- 1 1/4" Shaft.....	12
-	202750	2.7	Blade Only for Rear Rolling Baskets.....(Not Illustrated)	-
7	482024	2	1 1/4" Cast Flange Bearing Assm RB.....	48
-	481288	-	1 1/4" Bearing Only w/Lock Collar RB.....(Not Illustrated)	-
-	411534	-	Hex Bolt -- 7/16" x 1 1/2" NC - Gr 5 - Zinc...(Outside Bearings) ...	32
-	204145	-	Bearing Spacer...(Inside Bearings)	16
-	411539	-	Hex Bolt -- 7/16" x 3 1/2" NC - Gr 5 - Zinc...(Inside Bearings)	32
-	410007	-	Lock Nut -- 7/16" NC - Zinc.....	64
8	411237	1	Hex Bolt -- 5/8" x 8" NC - Gr 2 - Zinc.....	12
-	200412	-	Formed Head Holder.....	12
-	410009	-	Lock Nut -- 5/8" NC - Zinc.....	12
-	202350	-	Cup Washer for Spring.....	12
9	471006	1 1/2	Compression Spring.....	12