

W & A

PARTS MANUAL



STACKER LEVEL BANDER

Model No. 3639 -- 12 @ 36" Row



Quality Products from

W & A MANUFACTURING COMPANY

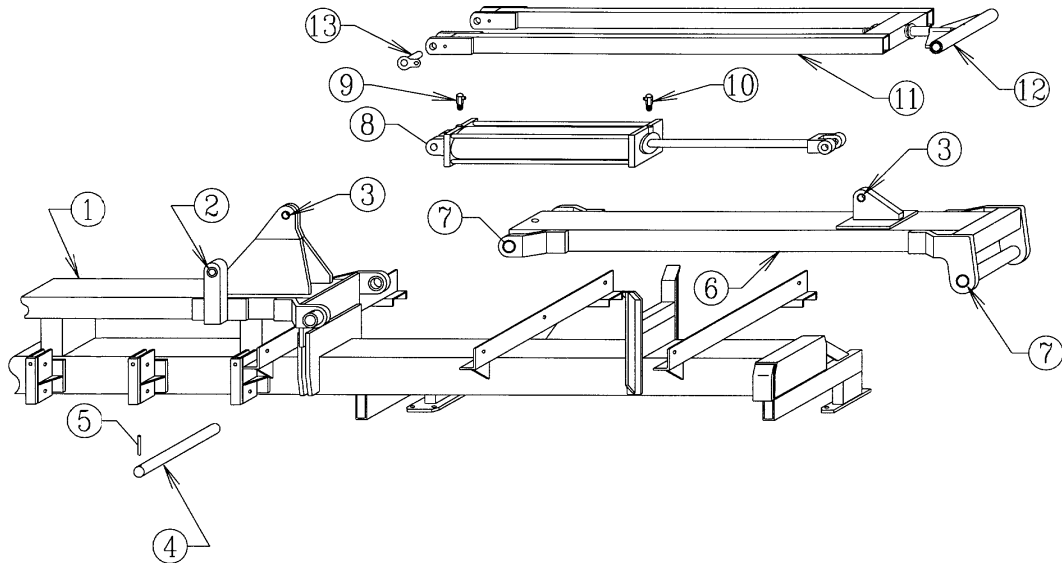
P.O. Box 5238, Pine Bluff, Arkansas 71611

Phone: (870) 534-7420

Fax: (800) 336-1318

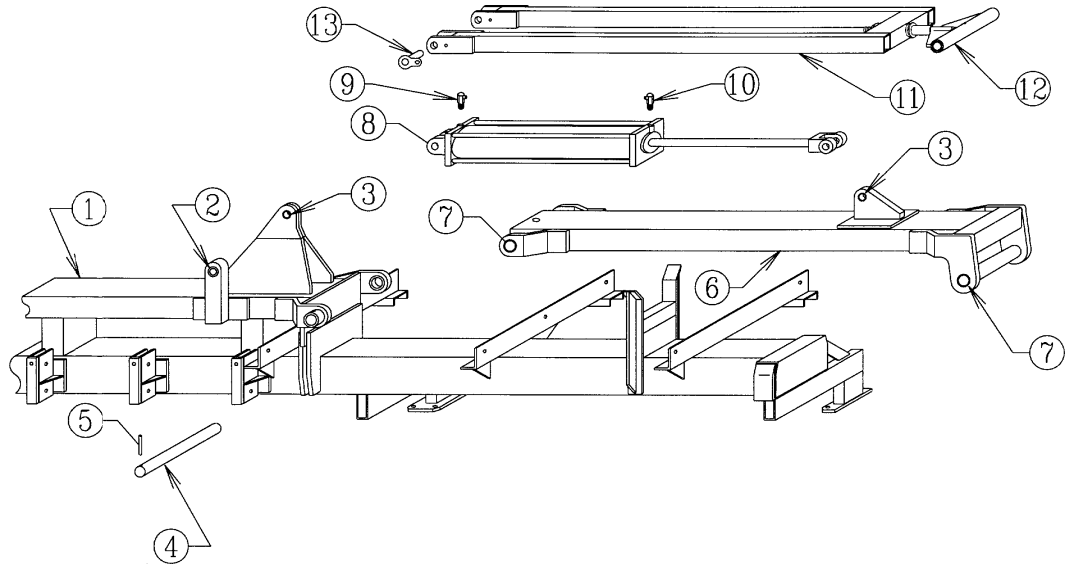
Website: www.wamfgco.com

CENTER SECTION



<u>ITEM NO.</u>	<u>PART NO.</u>	<u>WT. LBS.</u>	<u>DESCRIPTION</u>	<u>QTY. REQ.</u>
1	301874	1711	Center Section -- 12 @ 36" Row Stacker	1
2	401084	¼	Form 1 Bushing -- 1½" OD x 1¼" ID x 1½" Long	4
3	401080	¼	Form 1 Bushing -- 1½" OD x 1¼" ID x 1" Long	4
4	203948	14¼	2" Pivot Pin	4
-	413124	-	Machine Washer -- 3" OD x 2" ID x 10 Ga.....(Not Illustrated) ...	8
5	416133	-	Roll Pin -- 1/2" x 3½" - Zinc.....	4
6	301802	265	Power Arm -- Top Leveling Stacker	2
7	401118	½	Bushing -- 2.376" OD x 2.006" ID x 2" Long	8
-	450004	-	1/4" Drive-in Grease Fitting.....(Not Illustrated) ...	4
8	476029	126	Hydraulic Cylinder -- 5" x 30" (w/Pins).....	2
-	477056	-	Seal Kit -- 5" x 24" & 5" x 30" Lion Cyl - 2" Rod.....(Not Illustrated) ...	-
9	446188	¼	1/2" x 1/2" Swivel Orifice Elbow	2
10	446188	¼	1/2" x 1/2" Swivel Orifice Elbow	2
-	785103	1	3/8" Hydraulic Hose x 103".....(Not Illustrated) ...	2
-	785120	1	3/8" Hydraulic Hose x 120".....(Not Illustrated) ...	4
11	301820	88	Leveling Arm -- For 1½" Dia. Rod	2
12	301819	19¾	Leveling Arm End with Lock Nut -- 1½" Dia.Rod	2
-	410032	1	Lock Nut -- 1½" NF Top Lock - Zinc.....(Not Illustrated) ...	2
-	412024	¾	Hex Nut -- 1½" - 6 - Gr 2 - Zinc.....(Not Illustrated) ...	2
-	413120	-	Machine Washer -- 2¼" OD x 1½" ID x 10 Ga.....(Not Illustrated) ...	2
-	450004	-	1/4" Drive-in Grease Fitting.....(Not Illustrated) ...	2
-	401095	-	Form 1 Bushing -- 1-7/8" OD x 1½" ID x 1"Long.....(Not Illustrated) ...	4

CENTER SECTION (Continued)



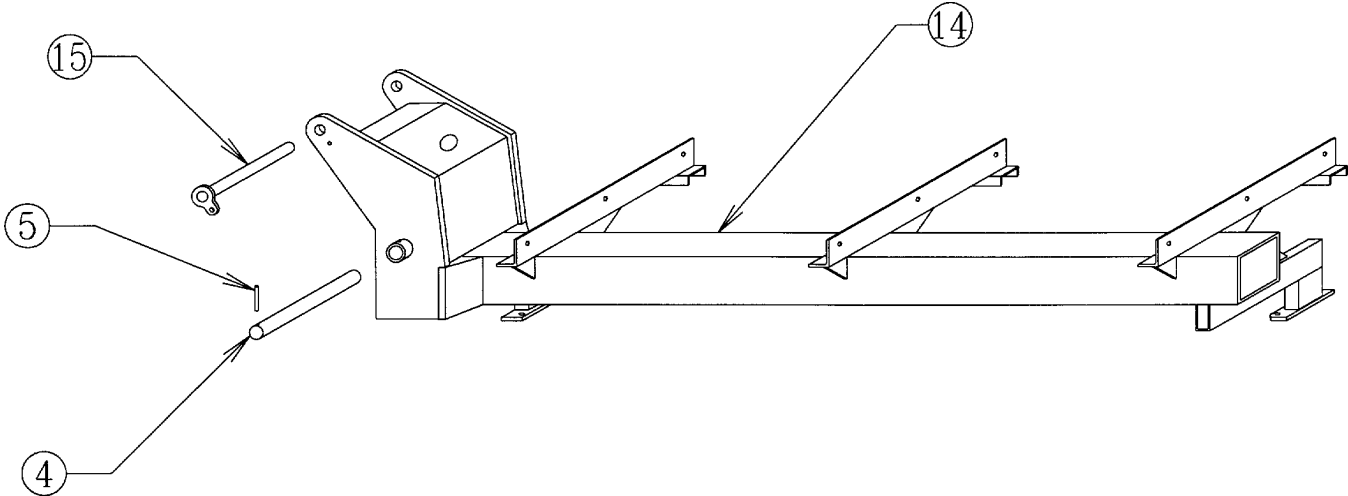
<u>ITEM NO.</u>	<u>PART NO.</u>	<u>WT. LBS.</u>	<u>DESCRIPTION</u>	<u>QTY. REQ.</u>
13	301824	1¾	Small Pin -- 1¼" x 2½" Stacker Bar	4
-	411545	-	Hex Bolt -- 1/2" x 1½" NC - Gr 5 - Zinc.....(Not Illustrated) ...	4
-	413008	-	Flat Washer -- 1/2" - Zinc.....(Not Illustrated) ...	4
-	413508	-	Lock Washer -- 1/2" - Zinc.....(Not Illustrated) ...	4
14	300244	3½	Friction Trip Foot -- Root Rooter.....(Not Illustrated) ...	6
-	411549	-	Hex Bolt -- 1/2" x 2½" NC - Gr 5 - Zinc.....(Not Illustrated) ...	12
-	412008	-	Hex Nut -- 1/2" - 13 - Gr 2 - Zinc.....(Not Illustrated) ...	12
-	413008	-	Flat Washer -- 1/2" - Zinc.....(Not Illustrated) ...	12
-	413508	-	Lock Washer -- 1/2" - Zinc.....(Not Illustrated) ...	12
15	201557	2¾	Vertical Root Rooter Shank – 28".....(Not Illustrated) ...	6
-	416120	-	Roll Pin -- 3/8" x 2".....(Not Illustrated) ...	6
-	414832	-	Square Head Set Screw, ¾" x 2".....(Not Illustrated) ...	18
-	412412	-	Jam Nut -- 3/4" - 10 - Gr 2 - Zinc.....(Not Illustrated) ...	18
N/I	474016	4½	16" Mixed Land Sweep.....(1/4").....(Not Illustrated) ...	6
-	411834	-	Plow Bolt -- 7/16" x 2" NC - Gr 5 - #3 - Zinc.....(Not Illustrated) ...	6
-	411836	-	Plow Bolt -- 7/16" x 3" NC - Gr 5 - #3 - Zinc.....(Not Illustrated) ...	6
-	412007	-	Hex Nut -- 7/16" - 14 - Gr 2 - Zinc.....(Not Illustrated) ...	24
-	413507	-	Lock Washer -- 7/16" - Zinc.....(Not Illustrated) ...	24

USE ONLY



W & A REPLACEMENT PARTS

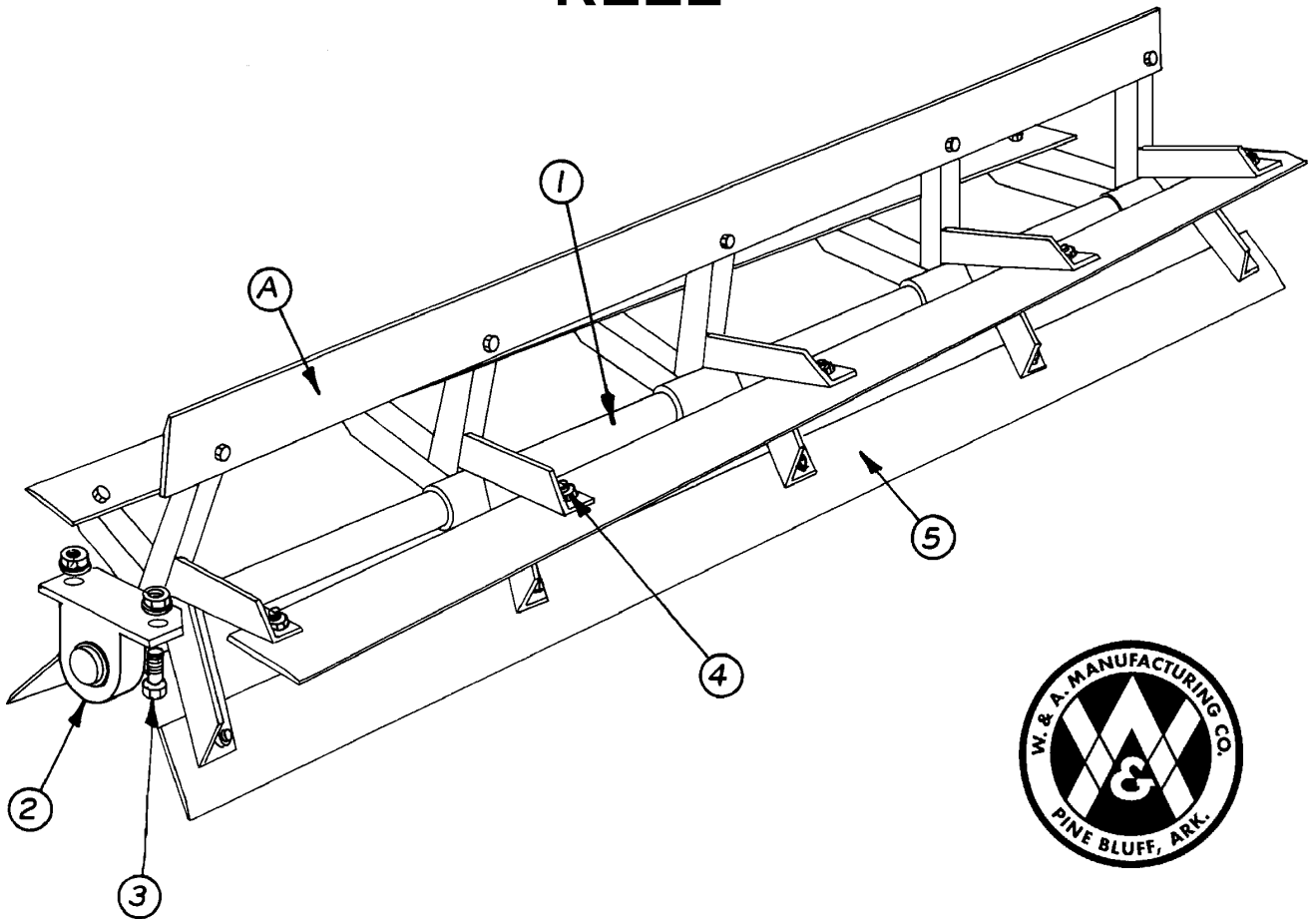
WING



<u>ITEM NO.</u>	<u>PART NO.</u>	<u>WT. LBS.</u>	<u>DESCRIPTION</u>	<u>QTY. REQ.</u>
4	203948	14¼	2" Pivot Pin x 16¼"	4
-	413124	-	Machine Washer -- 3" OD x 2" ID x 10 Ga.....(Not Illustrated) ...	8
5	416133	-	Roll Pin -- 1/2" x 3½" - Zinc.....	4
14	300244	3½	Friction Trip Foot -- Root Rooter	3
15	201557	23¼	Vertical Root Roter Shank – 28"	3
-	416120	-	Roll Pin -- 3/8" x 2" - Zinc.....(Not Illustrated) ..	3
-	414832	-	Square Head Set Screw, ¾" x 2".....(Not Illustrated) ..	9
-	412412	-	Jam Nut -- 3/4" - 10 - Gr 2 - Zinc.....(Not Illustrated) ...	9
16	301875	581	Wing - 12 @ 36" Stacker – RH.....(Not Illustrated) ...	1
-	301876	581	Wing - 12 @ 36" Stacker – LH	1
17	301825	8	Top Pin -- Top Leveling Stacker	2
-	411545	-	Hex Bolt -- 1/2" x 1½" NC - Gr 5 - Zinc.....(Not Illustrated) ..	2
-	413008	-	Flat Washer -- 1/2" - Zinc.....(Not Illustrated) ..	2

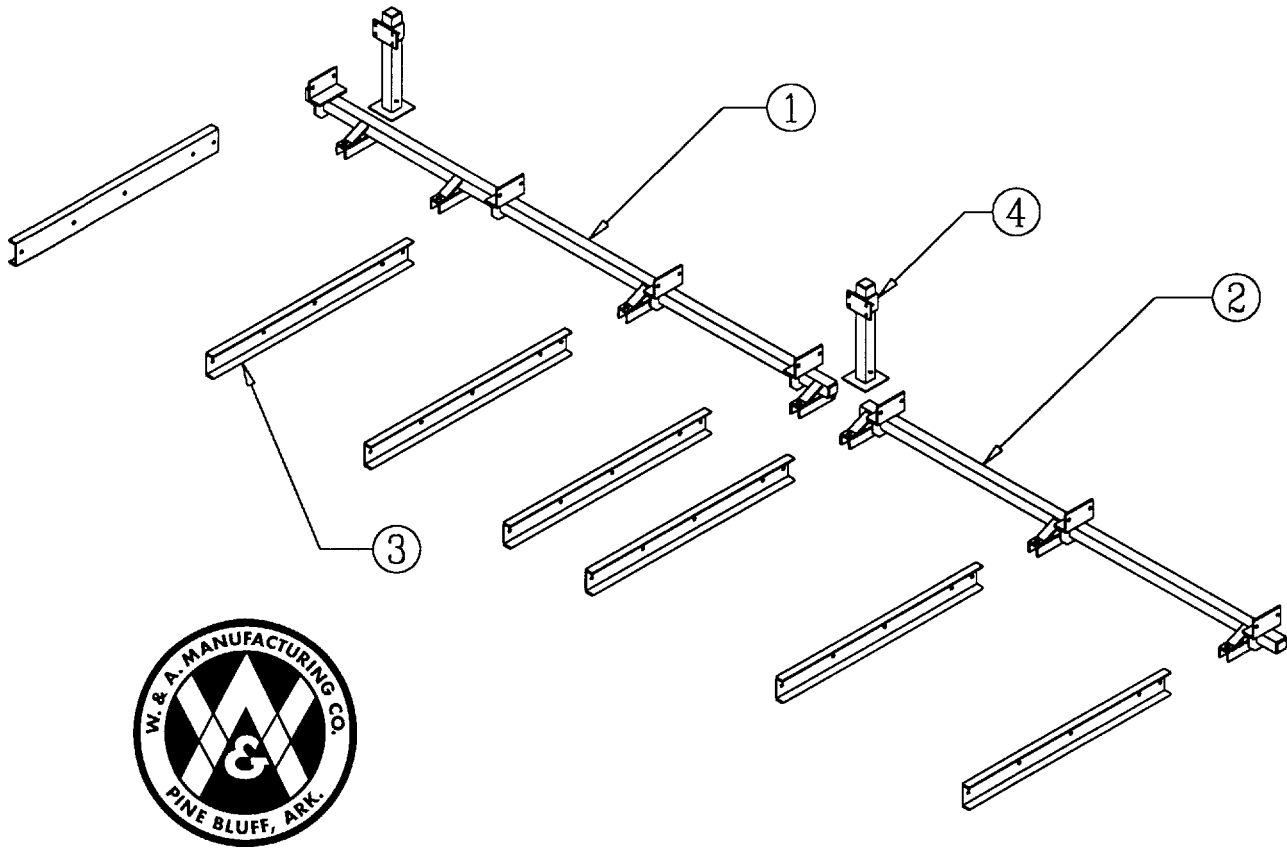


REEL



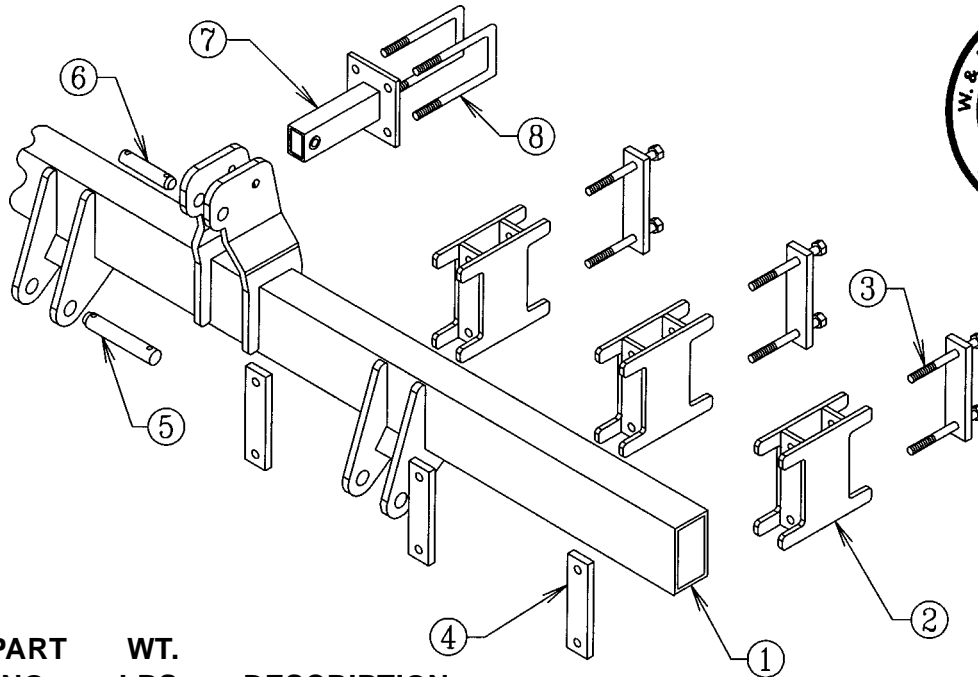
ITEM NO.	PART NO.	WT. LBS.	DESCRIPTION	QTY. REQ. FOR 1 MACHINE
A	770020	235	Spiral 6 ft Reel Complete w/Bearings.....	3
-	770032	287	Spiral 89" Reel Complete w/Bearings Wing.....(Not Illustrated) ..	2
1	300451	116	Spiral 77" Reel Shaft w/5 Support Brackets	3
-	301127	143	Spiral 94" Reel Shaft w/7 Support Brackets Wing.....(Not Illustrated) ..	2
2	482101	4	1-15/16" Pillow Block & Bearing Complete	10
-	481215	1	1-15/16" Bearing w/Lock Collar.....(Not Illustrated) ..	-
-	480006	3	Pillow Block for 1-15/16" Bearing.....(Not Illustrated) ..	-
3	411562	-	Hex Bolt -- 5/8" x 2 1/2" NC - Gr 5 - Zinc	20
-	410009	-	Lock Nut -- 5/8" NC - Gr 2 - Zinc	20
-	413010	-	Flat Washer -- 5/8" - Zinc	20
4	411211	-	Hex Bolt -- 5/8" x 1 1/4" NC - Gr 2 - Zinc	145
-	410009	-	Lock Nut -- 5/8" NC - Zinc	145
5	200539	20	Spiral Pulvamerizer Blade x 72"	15
-	202335	26	Spiral Pulvamerizer Blade x 89" Wing.....(Not Illustrated) ..	10

REAR BASKET FRAME



<u>ITEM NO.</u>	<u>PART NO.</u>	<u>WT. LBS.</u>	<u>DESCRIPTION</u>	<u>QTY. REQ.</u>
1	301877	209	Center Basket Holder - 12 @ 36" (220¼" Tube)	1
2	301878	89	Wing Basket Holder - 12 @ 36" – RH (83¾" Tube)	1
-	301879	89	Wing Basket Holder - 12 @ 36" – LH (83¾" Tube)	1
3	204023	27½	Connecting Channel – 5" x 51" with 7 holes	12
-	411212	-	Hex Bolt -- 5/8" x 1½" NC - Gr 2 - Zinc.....(Not Illustrated) ..	60
-	412010	-	Hex Nut -- 5/8" - 11 - Gr 2 - Zinc.....(Not Illustrated) ..	60
-	413510	-	Lock Washer -- 5/8" - Zinc.....(Not Illustrated) ..	60
4	301855	6	Holder - Parking Stand Bracket	2
-	301856	21	Parking Stand Leg...(2½" Sq. Tube x 31½")	2
-	415108	½	1/2" U-Bolt x 2½" x 4" Leg - Grade 5.....(Not Illustrated) ...	4
-	416230	¾	3/4" Safety Lock Pin x 5½" OAL - Zinc.....(Not Illustrated) ...	2

HITCH ASSEMBLY

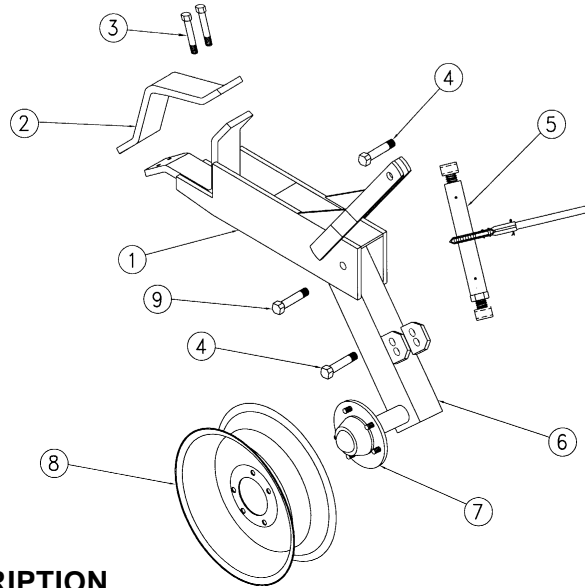


<u>ITEM NO.</u>	<u>PART NO.</u>	<u>WT. LBS.</u>	<u>DESCRIPTION</u>	<u>QTY. REQ.</u>
1	301833	361	Wide Hitch -- Top Leveling Stacker	1
2	302014	25	5" Spacer Block -- Top Leveling Stacker	6
3	203960	5	Backing Plate -- Top Leveling Stacker	6
-	411604	1¼	Hex Bolt -- 3/4" x 10" NC - Gr. 5 - Zinc	12
-	412012	-	Hex Nut -- 3/4" - 10 - Gr 2 - Zinc.....(Not Illustrated) ...	12
-	413512	-	Lock Washer -- 3/4" - Zinc.....(Not Illustrated) ...	12
4	203960	5	Backing Plate -- Top Leveling Stacker	6
-	411598	½	Hex Bolt -- 3/4" x 6½" NC - Gr 5 - Zinc.....(Not Illustrated) ...	12
-	412012	-	Hex Nut -- 3/4" - 10 - Gr 2 - Zinc.....(Not Illustrated) ...	12
-	413512	-	Lock Washer -- 3/4" - Zinc.....(Not Illustrated) ...	12
5	200876	3¾	Hardened Pull Pin -- 1-7/16" x 8-3/8" - Zinc	2
-	416207	-	Klik Pin -- 7/16" - Zinc.....(Not Illustrated) ...	2
-	416133	-	Roll Pin -- 1/2" x 3½" - Zinc.....(Not Illustrated) ...	2
6	200853	2	Hardened Top Link Pin -- 1¼" - Zinc	1
-	416207	-	Klik Pin -- 7/16" - Zinc.....(Not Illustrated) ...	1
-	416120	-	Roll Pin -- 3/8" x 2" - Zinc.....(Not Illustrated) ...	1
7	301836	11	Top Connector - 5" Spacer - Hitch Assm	1
-	411594	¾	Hex Bolt -- 3/4" x 5" NC - Gr 5 - Zinc.....(Not Illustrated) ...	1
-	412012	-	Hex Nut -- 3/4" - 10 - Gr 2 - Zinc.....(Not Illustrated) ...	1
-	413512	-	Lock Washer -- 3/4" - Zinc.....(Not Illustrated) ...	1
8	415006	2	3/4" Sq. U-Bolt x 4" x 8½" Leg	2
-	412012	-	Hex Nut -- 3/4" - 10 - Gr 2 - Zinc.....(Not Illustrated) ...	4
-	413512	-	Lock Washer -- 3/4" - Zinc.....(Not Illustrated) ...	4

RATCHET ADJ. GAUGE WHEELS



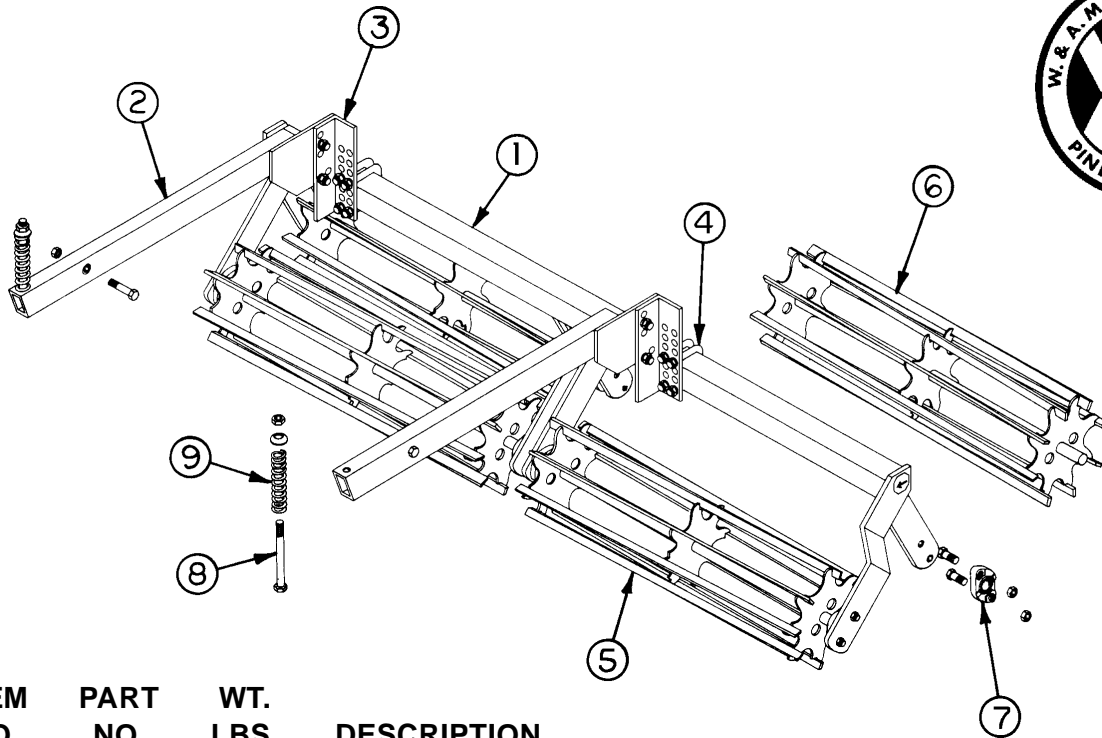
No. 1338
& 1339



ITEM NO.	PART NO.	WT. LBS.	DESCRIPTION	QTY. REQ. FOR 1 ASSEMBLY
1	302225	60	Holder - Gauge Wheels	1
2	203770	10	Backing Clamp for 7" Sq. Bar	1
3	411591	1/2	Hex Bolt -- 3/4" x 4" NC - Gr 5 - Zinc	4
-	412012	-	Hex Nut -- 3/4" - 10 - Gr 2 - Zinc.....(Not Illustrated) ...	4
-	413512	-	Lock Washer -- 3/4" - Zinc.....(Not Illustrated) ...	4
4	411591	1/2	Hex Bolt -- 3/4" x 4" NC - Gr 5 - Zinc	2
-	412012	-	Hex Nut -- 3/4" - 10 - Gr 2 - Zinc.....(Not Illustrated) ...	2
-	413512	-	Lock Washer -- 3/4" - Zinc.....(Not Illustrated) ...	2
5	302025	11 1/2	Ratchet Crank Assembly	1
6	302226	34 3/4	RH Leg w/Hub -- #1338 Gauge Wheel	1
-	302227	34 3/4	LH Leg w/Hub -- #1338 Gauge Wheel.....(Not Illustrated) ...	1
-	302228	38 3/4	RH 3" Offset Leg w/Hub -- #1339 Gauge Wheel.....(Not Illustrated) ...	1
-	302229	38 3/4	LH 3" Offset Leg w/Hub -- #1339 Gauge Wheel.....(Not Illustrated) ...	1
7	491119	11	5 Hole Hub Complete - Q-719	1
-	491007	9 3/4	Hub w/Cups Only - Q-719.....(Not Illustrated) ...	1
-	481205	1/4	Cone - Q809 & Q719 - LM67048.....(Not Illustrated) ...	1
-	496010	-	Outer Cup - Q809 & Q719 - LM67010.....(Not Illustrated) ...	1
-	481204	1/4	Cone - Q809 & Q719 - LM48548.....(Not Illustrated) ...	1
-	496011	-	Inner Cup - Q809 & Q719 - LM48510.....(Not Illustrated) ...	1
-	497010	-	Grease Seal - Q719 - CR 15190.....(Not Illustrated) ...	1
-	490006	1/4	Hub Cap - Q875/Q809/Q719.....(Not Illustrated) ...	1
-	490015	-	1/2" NF Lug Nut.....(Not Illustrated) ...	5
-	490017	-	Drive-In Hub Bolt - Q719.....(Not Illustrated) ...	5
-	412164	-	Slotted Nut -- 7/8" - 14 Spindle.....(Not Illustrated) ...	1
-	490034	-	Spindle Washer -- 7/8" - Q719.....(Not Illustrated) ...	1
8	493007	17	15" x 5" x 5 Hole Wheel	1
9	411594	3/4	Hex Bolt -- 3/4" x 5" NC - Gr 5 - Zinc	1
-	412012	-	Hex Nut -- 3/4" - 10 - Gr 2 - Zinc.....(Not Illustrated) ...	1
-	413512	-	Lock Washer -- 3/4" - Zinc.....(Not Illustrated) ...	1

ROLLING BASKETS

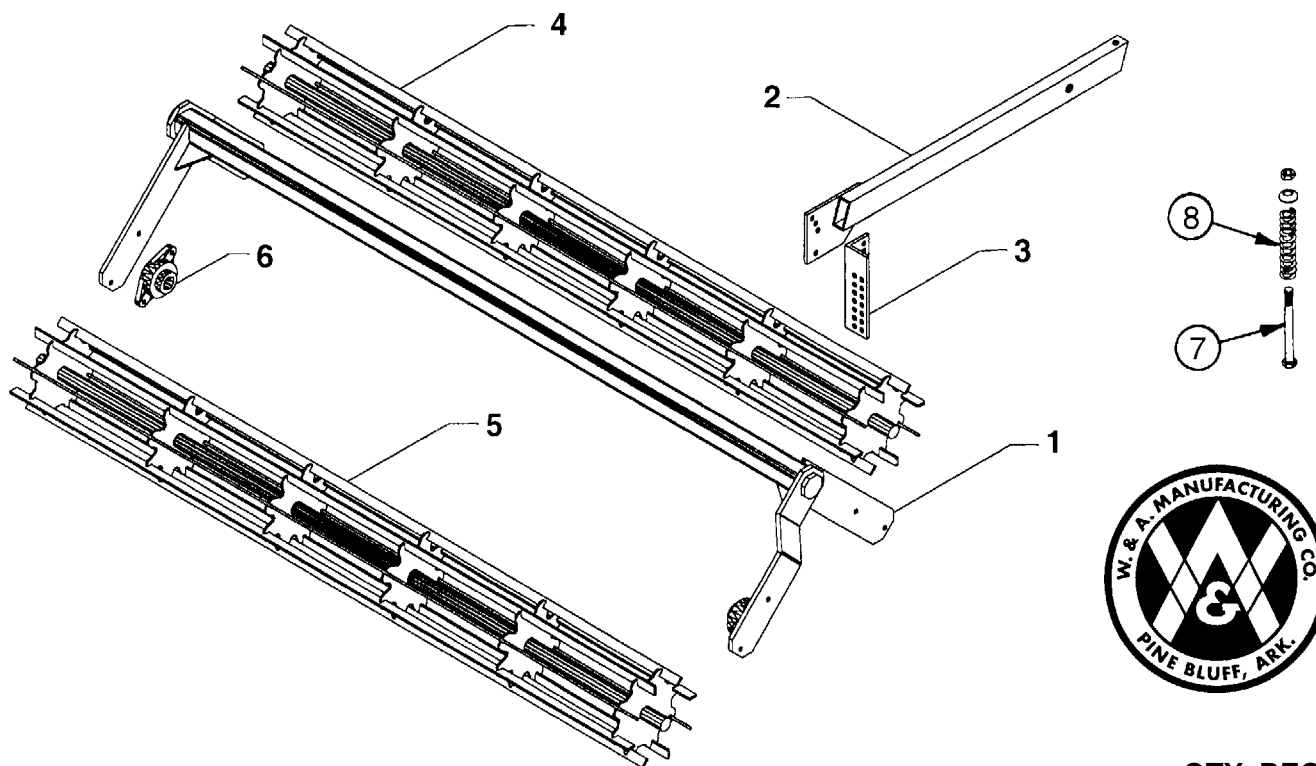
1 1/4" Shaft and Bearings



<u>ITEM NO.</u>	<u>PART NO.</u>	<u>WT. LBS.</u>	<u>DESCRIPTION</u>	<u>QTY. REQ. FOR 1 MACHINE</u>
1	301954	100	Four Basket Frame -- 1 1/4" Brg. - 2 row.....	
-	301955	150	Six Basket Frame 38" -- 1 1/4" Brg. - 3 row	
-	301956	200	Eight Basket Frame -- 1 1/4" Brg. - 4 row	
2	301290	20 1/2	Arm -- Rolling Baskets	
3	202745	5 1/2	Connecting Angle -- AS SHOWN (Four Row)	
-	202729	5 1/2	Connecting Angle - Rolling Baskets (Opposite Hand)	
-	411545	-	Hex Bolt -- 1/2" x 1 1/2" NC - Gr 5 - Zinc	
4	415108	1/2	1/2" U-Bolt x 2 1/2" x 4" Leg - Grade 5	
5	301948	41 1/4	Front Rolling Basket Only -- 1 1/4" Shaft	
-	202749		Blade Only for Front Rolling Baskets	
6	301949	41 1/4	Rear Rolling Basket Only -- 1 1/4" Shaft	
-	202750		Blade Only for Rear Rolling Baskets	
7	482024	2	1 1/4" Cast Flange Bearing Assm RB	
-	481288	-	1 1/4" Bearing Only w/Lock Collar RB	
-	411534	-	Hex Bolt -- 7/16" x 1 1/2" NC - Gr 5 - Zinc (Outside Bearings)	
-	204145	-	Bearing Spacer (Inside Bearings)	
-	411539	-	Hex Bolt -- 7/16" x 3 1/2" NC - Gr 5 - Zinc (Inside Bearings)	
-	410007	-	Lock Nut -- 7/16" NC - Zinc	
8	411237	1	Hex Bolt -- 5/8" x 8" NC - Gr 2 - Zinc	
-	200412	-	Formed Head Holder	
-	410009	-	Lock Nut -- 5/8" NC - Gr 2 - Zinc	
-	202350	-	Cup Washer for Spring	
9	471006	1 1/2	Compression Spring	

ROLLING BASKETS

1½" Shaft and Bearings



<u>ITEM NO.</u>	<u>PART NO.</u>	<u>WT. LBS.</u>	<u>DESCRIPTION</u>	<u>QTY. REQ. FOR 1 MACHINE</u>
1	301968	101	Six Basket Frame 30" -- 1½" Brg. - 3 row	4
2	301290	20½	Arm -- Rolling Basket.....	12
-	411551	-	Hex Bolt -- 1/2" x 3" NC - Gr. 5 - Zinc.....(Not Illustrated) ...	12
-	410008	-	Lock Nut -- 1/2" NC - Zinc.....(Not Illustrated) ...	12
3	202729	5½	Connecting Angle -- Rolling Basket	12
-	411546	-	Hex Bolt -- 1/2" x 1¾" NC - Gr. 5 - Zinc.....(Not Illustrated) ...	24
-	415108	½	1/2" U-Bolt x 2½" x 4" Leg - Grade 5.....(Not Illustrated) ...	24
-	410008	-	Lock Nut -- 1/2" NC - Zinc.....(Not Illustrated) ...	72
4	301966	110	88" Front Basket Only -- 1½" Brg. - 3@ 30" Row	4
5	301967	110	88" Rear Basket Only -- 1½" Brg. - 3 @ 30" Row	4
6	507081	3¼	1½" Cast Flange Bearing Assembly	16
-	411546	-	Hex Bolt -- 1/2" x 1¾" NC - Gr. 5 - Zinc.....(Not Illustrated) ...	32
-	410008	-	Lock Nut -- 1/2" NC - Zinc.....(Not Illustrated) ...	32
7	411237	1	Hex Bolt -- 5/8" x 8" NC - Gr. 2 - Zinc	12
-	200412	-	Formed Head Holder	12
-	410009	-	Lock Nut -- 5/8" NC - Gr 2 - Zinc	12
-	202350	-	Cup Washer for Spring	12
8	471006	1½	Compression Spring.....	12

NOTES

USE ONLY

W & A REPLACEMENT PARTS



W & A Manufacturing Company

1810 Ohio Street P.O. Box 5238
PINE BLUFF, ARKANSAS 71611

Phone (870) 534-7420

Fax (800) 336-1318

www.wamfgco.com