

W & A

PARTS MANUAL



LEVEL BANDER

150° FOLDING BAR

Model No. 3631 -- 12 @ 30" Row



Quality Products from

W & A MANUFACTURING COMPANY

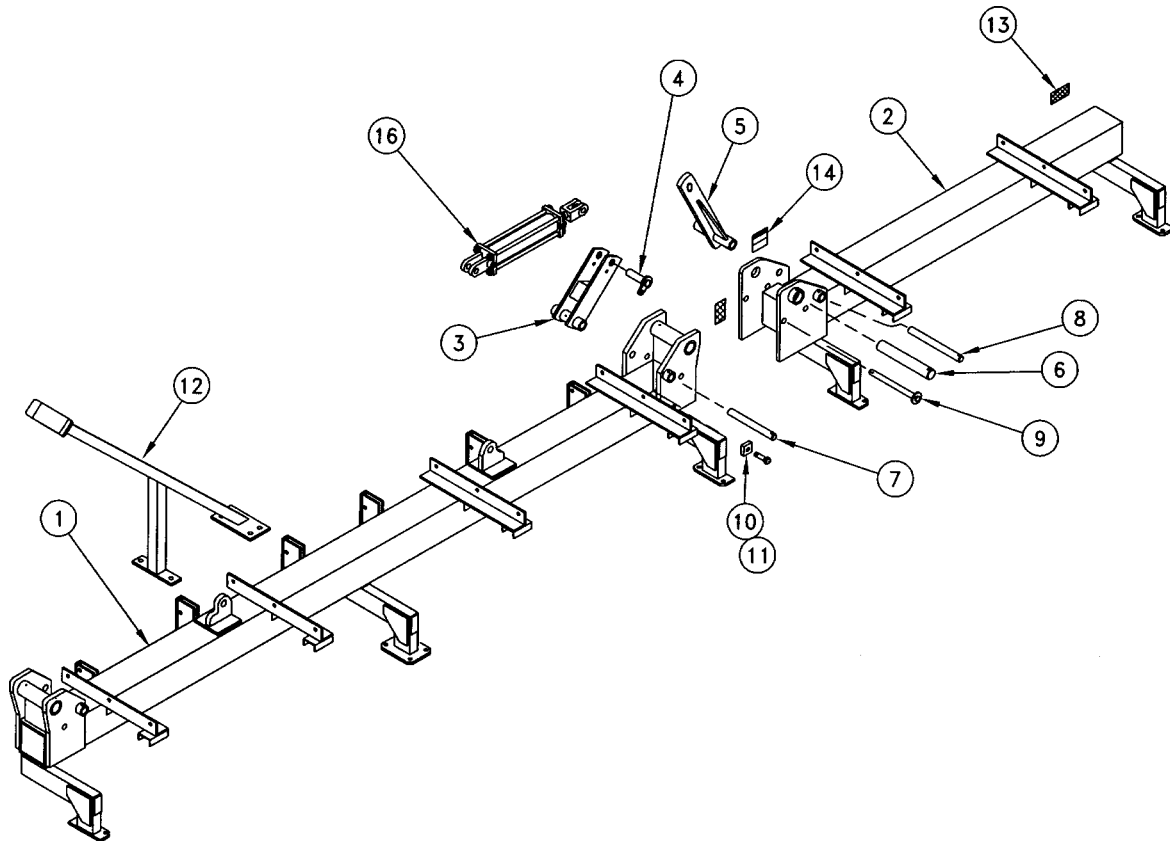
P.O. Box 5238, Pine Bluff, Arkansas 71611

Phone: (870) 534-7420

Fax: (800) 336-1318

Website: www.wamfgco.com

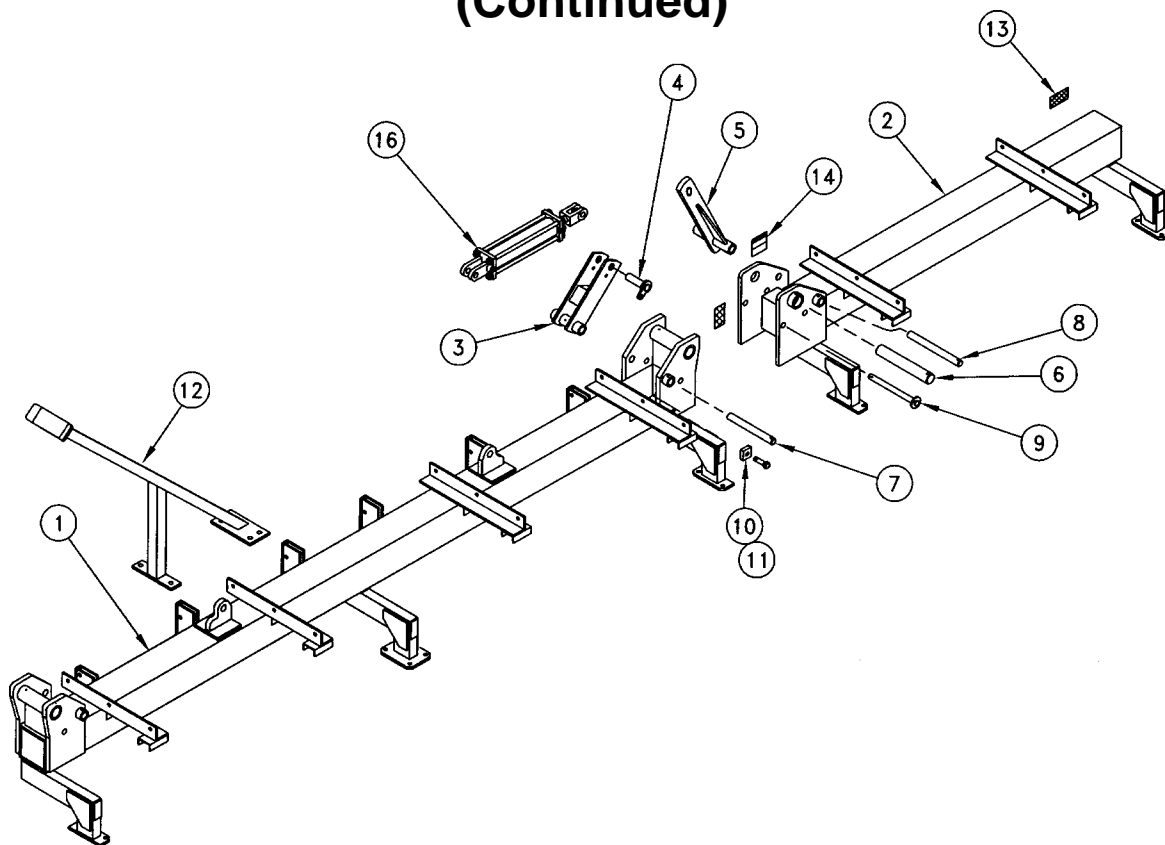
REEL FRAME



<u>ITEM NO.</u>	<u>PART NO.</u>	<u>WT. LBS.</u>	<u>DESCRIPTION</u>	<u>QTY. REQ.</u>
1	302202	856	Center Reel Frame	1
2	302203	359	Wing Reel Frame - RH - Shown	1
-	302204	359	Wing Reel Frame - LH	1
3	302085	21	Follow Arm - 150° Fold Bar	2
4	302086	2 ³ / ₄	Cylinder Lock Pin - 150° Fold Bar	2
-	411545	-	Hex Bolt -- 1/2" x 1 ¹ / ₂ " NC - Gr. 5 - Zinc.....	2
-	413008	-	Flat Washer -- 1/2" - Zinc	2
-	413508	-	Lock Washer -- 1/2" - Zinc.....	2
5	302084	23 ¹ / ₄	Folding Arm - 150° Fold Bar	2
6	204388	11 ¹ / ₂	Pivot Pin -- 2" x 13-1/8" - 150° Fold Bar	2
-	416133	-	Roll Pin -- 1/2" x 3 ¹ / ₂ " - Zinc	2
7	204389	4	Follow Arm Pin -- 1 ¹ / ₄ " x 11 ¹ / ₂ " - 150° Fold Bar	2
-	416109	-	Roll Pin -- 5/16" x 2 ¹ / ₂ " - Zinc	4
8	204390	4 ¹ / ₂	Folding Arm Pin -- 1 ¹ / ₄ " x 13-1/8" - 150° Fold Bar	2

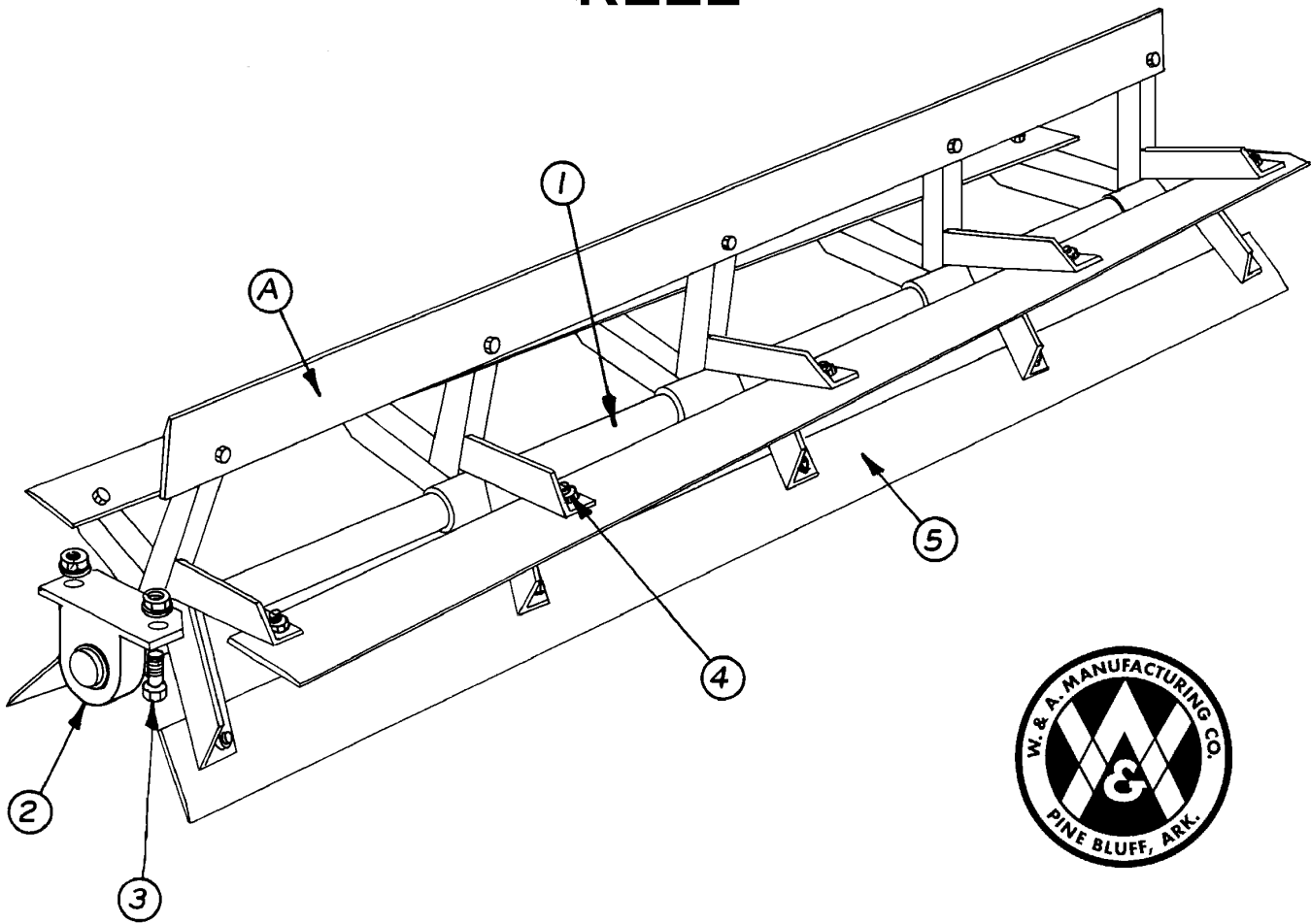
REEL FRAME

(Continued)



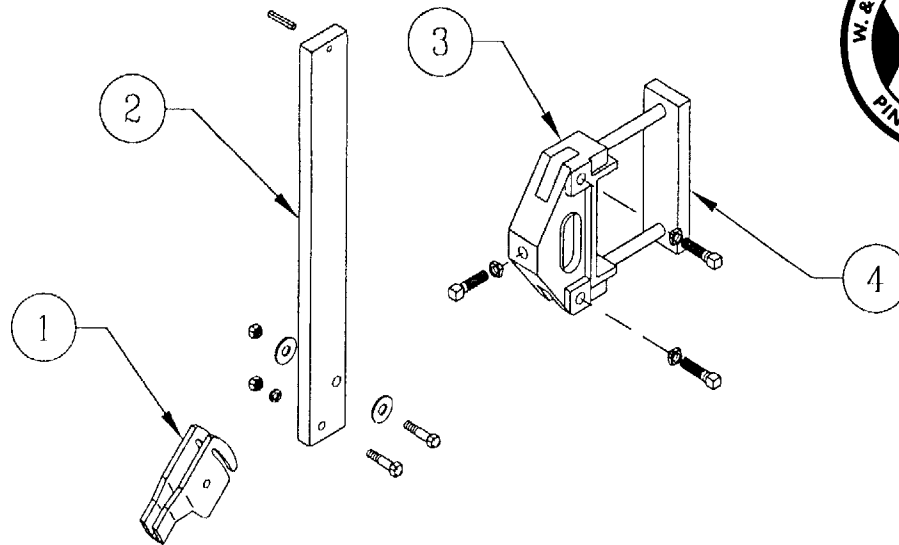
<u>ITEM NO.</u>	<u>PART NO.</u>	<u>WT. LBS.</u>	<u>DESCRIPTION</u>	<u>QTY. REQ.</u>
9	302087	3	Wing Lock Pin - 150° Fold Bar	2
-	416204	-	Klik Pin -- 1/4" - Zinc.....	2
10	204398	3/4	Stop Block - 150° Fold Bar	4
11	411584	1/4	Hex Bolt -- 3/4" x 2" NC - Gr. 5 - Zinc.....	4
-	413512	-	Lock Washer -- 3/4" - Zinc	4
12	302148	29	Wing Support Stand.....(48" Tube)	2
-	415004	2½	3/4" Sq. U-Bolt x 7" x 9" Leg	4
-	412012	-	Hex Nut -- 3/4" - 10 - Gr. 2 - Zinc	8
-	413512	-	Lock Washer -- 3/4" - Zinc	8
13	461200	-	Decal Amber Reflector.....(On Front of Wings)	4
14	461135	-	Warning Decal - Overhead Wing Hazard	2
16	476026	100	Hydraulic Cylinder -- 5" x 16"	2
-	446188	1/4	1/2" x 1/2" Swivel Orifice Elbow	4

REEL



ITEM NO.	PART NO.	WT. LBS.	DESCRIPTION	QTY. REQ. FOR 1 MACHINE
A	770031	288	Spiral 84" Reel Complete w/Bearings	4
1	302149	152	Spiral 89" Reel Shaft w/6 Support Brackets	4
2	482101	4	1-15/16" Pillow Block & Bearing Complete	8
-	481215	1	1-15/16" Bearing w/Lock Collar	-
-	480006	3	Pillow Block for 1-15/16" Bearing	-
3	411562	-	Hex Bolt -- 5/8" x 2 1/2" NC - Gr. 5 - Zinc	16
-	410009	-	Lock Nut -- 5/8" NC - Zinc	16
-	413010	-	Flat Washer -- 5/8" - Zinc	16
4	411211	-	Hex Bolt -- 5/8" x 1 1/4" NC - Gr. 2 - Zinc	120
-	410009	-	Lock Nut -- 5/8" NC - Zinc	120
5	204482	24 3/4	Spiral Pulvamer Blade x 84"	20

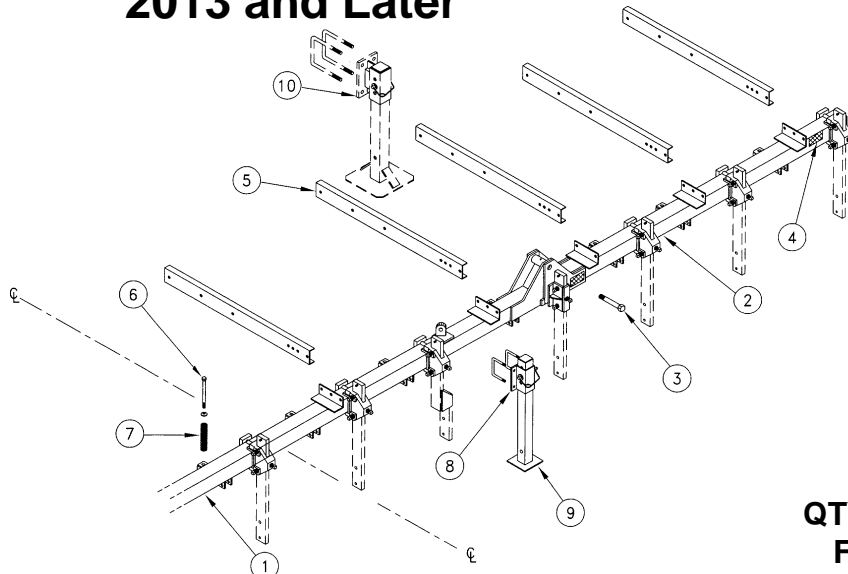
ROOT ROOTERS



<u>ITEM NO.</u>	<u>PART NO.</u>	<u>WT. LBS.</u>	<u>DESCRIPTION</u>	<u>QTY. REQ. FOR 1 MACHINE</u>
1	300244	3½	Friction Trip Foot -- Root Rooter	12
-	411549	-	Hex Bolt -- 1/2" x 2½" NC - Gr 5 - Zinc	24
-	412008	-	Hex Nut -- 1/2" - 13 - Gr 2 - Zinc	24
-	413508	-	Lock Washer -- 1/2" - Zinc	24
-	413008	-	Flat Washer -- 1/2" - Zinc	24
2	201557	23¼	Vertical Root Rooter Shank -- 28"	8
N/I	201561	23½	Vertical Shank 3" Offset - RH	2
N/I	201562	23½	Vertical Shank 3" Offset - LH	2
-	416120	-	Roll Pin -- 3/8" x 2" - Zinc	12
3	479069	13½	Bolt-On Shank Holder - 7" Tool Bar	6
-	414828	-	Square Head Set Screw -- 5/8" x 1¾"	18
-	412310	-	Square Nut -- 5/8" - 11 - Gr 2 - Zinc	18
-	412410	-	Jam Nut -- 5/8" - 11 - Gr 2 - Zinc	18
4	204274	9	Backing Plate For Bolt-on Shank Holder 7"	6
-	411601	1¼	Hex Bolt -- 3/4" x 8½" - Gr 5 - Zinc	12
-	412012	-	Hex Nut -- 3/4" - 10 - Gr 2 - Zinc	12
-	413512	-	Lock Washer -- 3/4" - Zinc	12
N/I	474016	4½	16" Mixed Land Sweep(1/4")	12
-	411834	-	Plow Bolt -- 7/16" x 2" NC - Gr 5 - #3 - Zinc	12
-	411836	-	Plow Bolt -- 7/16" x 3" NC - Gr 5 - #3 - Zinc	12
-	412007	-	Hex Nut -- 7/16" - 14 - Gr 2 - Zinc	24
-	413507	-	Lock Washer -- 7/16" - Zinc	24

BASKET FRAME

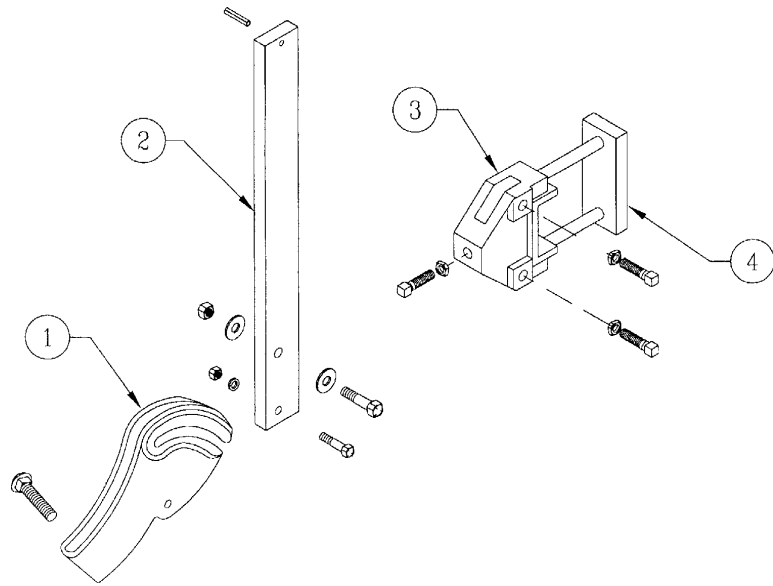
2013 and Later



ITEM NO.	PART NO.	WT. LBS.	DESCRIPTION	QTY. REQ. FOR 1 MACHINE
1	302205	285	Rear Center Basket Frame(4" Sq. Tube)	1
2	302206	173	Rear Wing Basket Frame - RH -- Shown(4" Sq.)	1
-	302207	173	Rear Wing Basket Frame - LH(4" Sq.)	1
3	411671	3½	Hex Bolt -- 1¼" x 8" NC - Gr. 5 - Zinc.....	2
-	412420	½	Jam Nut -- 1¼" - 7 - Gr. 2 - Zinc	4
-	413117	-	Machine Washer -- 2¼" OD x 1¼" ID x 14 ga	4
4	461201	-	Decal -- Red Reflector - 4½" x 2".....	4
5	204480	21½	Connecting Channel -- 4" x 48"	10
-	411560	-	Hex Bolt -- 5/8" x 1½" NC - Gr. 5 - Zinc	50
-	410009	-	Lock Nut -- 5/8" NC - Zinc	50
6	411237	1	Hex Bolt -- 5/8" x 8" NC - Gr. 2 - Zinc.....	12
-	202350	-	Cup Washer for Spring.....(5/8")	12
-	410009	-	Lock Nut -- 5/8" NC - Zinc.....	12
7	471006	1½	Compression Spring.....(7" Coil)	12
8	773976	76	Rear Mount Parking Stand Assembly (Pair)	1
-	301860	7½	Parking Stand Bracket for 4" Sq. Tube.....	2
-	415010	1	5/8" Sq. U-Bolt x 4" x 5¼" Leg.....	4
-	412010	-	Hex Nut -- 5/8" - 11 - Gr. 2 - Zinc	8
-	413510	-	Lock Washer -- 5/8" - Zinc	8
-	416230	¾	3/4" Safety Lock Pin x 5-1/2" OAL - Zinc	2
9	301856	22	Parking Stand Leg	2
10	773961	114	Front Mount Parking Stand Assembly (Pair)	1
-	302222	19½	Holder - Front Parking Stand(Used w/Rear Busters)	2
-	302223	30½	Parking Stand Leg (3" Sq. Tube x 36")	2
-	415004	2½	3/4" U-Bolt x 7" x 9" Leg	4
-	412012	-	Hex Nut -- 3/4" - 10 - Gr. 2 - Zinc.....	8
-	413512	-	Lock Washer -- 3/4" - Zinc	8
-	416230	¾	3/4" Safety Lock Pin x 5½" OAL - Zinc.....	2

4" BOLT-ON SHANK HOLDER

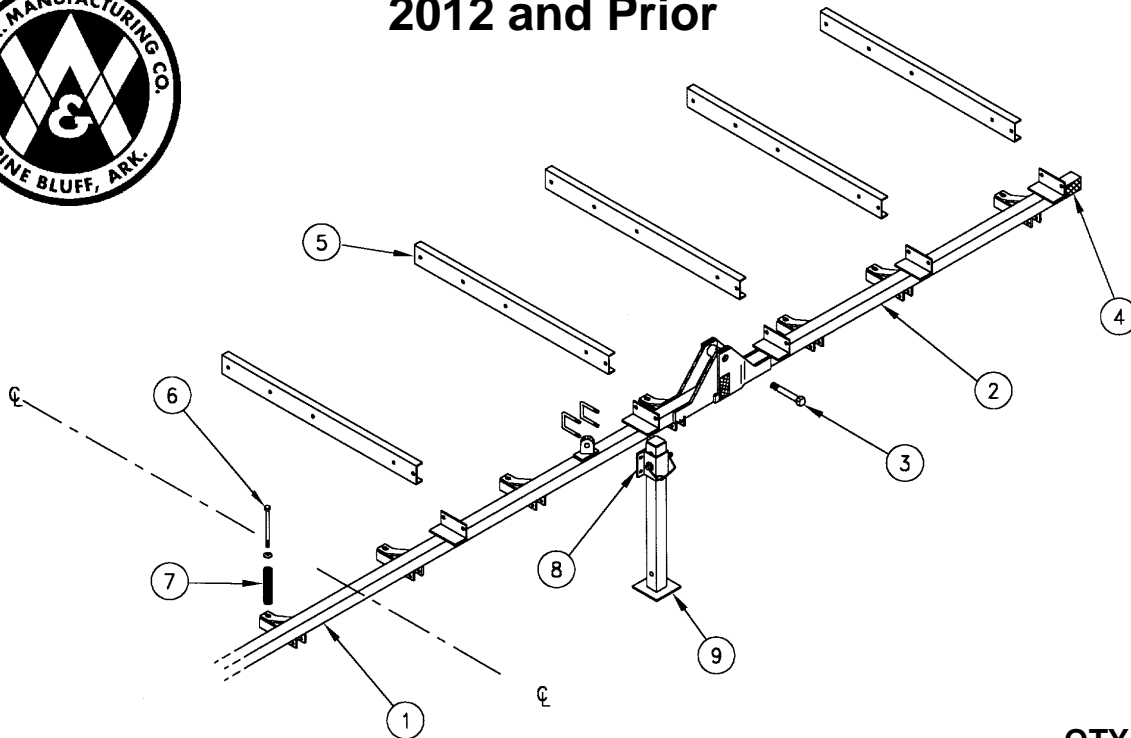
Optional



ITEM NO.	PART NO.	WT. LBS.	DESCRIPTION	QTY. REQ'D
1	479075	6½	Friction Trip Foot	13
-	411549	-	Hex Bolt -- 1/2" x 2½" NC - Gr. 5 - Zinc	13
-	411563	½	Hex Bolt -- 5/8" x 3" NC - Gr. 5 - Zinc	13
-	411794	½	Carriage Bolt -- 3/4" x 3½" NC - Gr. 5 - Zinc	13
-	410009	-	Lock Nut -- 5/8" NC - Zinc	13
-	410012	-	Lock Nut -- 3/4" NC - Zinc	13
-	412008	-	Hex Nut -- 1/2" - 13 - Gr. 2 - Zinc	13
-	413056	-	Flat Washer, Heavy -- 5/8" - Zinc	26
-	413058	-	Flat Washer, Heavy -- 3/4" - Zinc	13
-	413508	-	Lock Washer -- 1/2" - Zinc	13
2	204210	25	Vertical Shank C1080	11
-	302002	28	3" Offset Shank -- RH	1
-	302003	28	3" Offset SHank -- LH	1
-	416120	-	Roll Pin -- 3/8" x 2" - Zinc	13
3	479065	10¼	Bolt-On Shank Holder - 4" Tool Bar	11
-	414828	-	Square Head Set Screw -- 5/8" x 1-3/4"	39
-	412010	-	Hex Nut -- 5/8" - 11 - Gr. 2 - Zinc	39
-	412410	-	Jam Nut -- 5/8" - 11 - Gr. 2 - Zinc	39
4	204275	6	Backing Plate for Bolt-on Shank Holder 4"	11
-	411595	7¾	Hex Bolt -- 3/4" x 5½" - Gr. 5 - Zinc	22
-	412012	-	Hex Nut -- 3/4" - 10 - Gr. 2 - Zinc	22
-	413512	-	Lock Washer -- 3/4" - Zinc	22
N/I	474031	7¼	#11N Furrower	13

BASKET FRAME

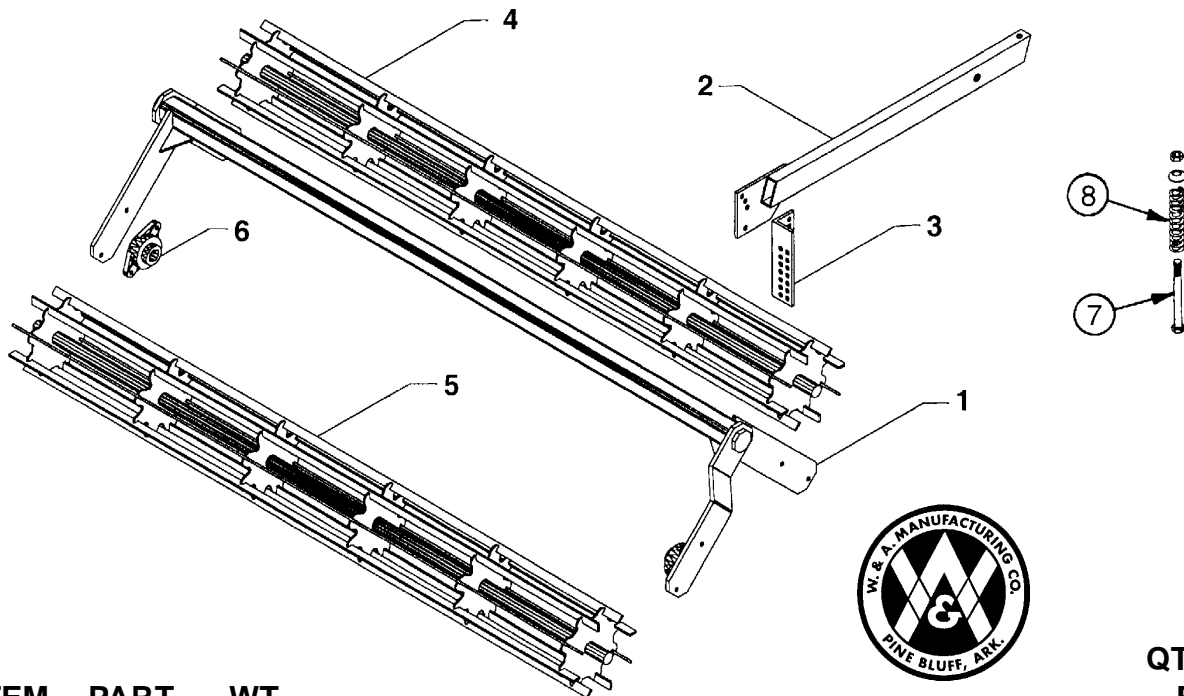
2012 and Prior



ITEM NO.	PART NO.	WT. LBS.	DESCRIPTION	QTY. REQ. FOR 1 MACHINE
1	302145	195	Rear Center Basket Frame(2½" Sq. Tube)	1
2	302146	101	Rear Wing Basket Frame - RH -- Shown....(2½" Sq.)	1
-	302147	101	Rear Wing Basket Frame - LH(2½" Sq.)	1
3	411668	3	Hex Bolt -- 1¼" x 6½" NC - Gr. 5 - Zinc	2
-	412420	½	Jam Nut -- 1¼" - 7 - Gr. 2 - Zinc	4
-	413117	-	Machine Washer -- 2¼" OD x 1¼" ID x 14 ga	4
4	461201	-	Decal -- Red Reflector - 4½" x 2"	4
5	204480	21½	Connecting Channel -- 4" x 48"	10
-	411560	-	Hex Bolt -- 5/8" x 1½" NC - Gr. 5 - Zinc	50
-	412010	-	Hex Nut -- 5/8" - 11 - Gr 2 - Zinc	50
-	413510	-	Lock Washer -- 5/8" - Zinc	50
6	411237	1	Hex Bolt -- 5/8" x 8" NC - Gr. 2 - Zinc	12
-	202350	-	Cup Washer for Spring.....(5/8")	12
-	410009	-	Lock Nut -- 5/8" NC - Zinc	12
7	471006	1½	Compression Spring.....(7" Coil)	12
8	301855	6	Holder - Rear Parking Stand for 2½" Sq. Tube	2
-	415108	½	1/2" U-Bolt x 2½" x 4" Leg - Grade 5.....	4
-	412008	-	Hex Nut -- 1/2" - 13 - Gr. 2 - Zinc	8
-	413508	-	Lock Washer -- 1/2" - Zinc.....	8
-	416230	¾	3/4" Safety Lock Pin x 5-1/2" OAL - Zinc	2
9	301856	22	Parking Stand Leg (2½" Sq. Tube x 31½")	2

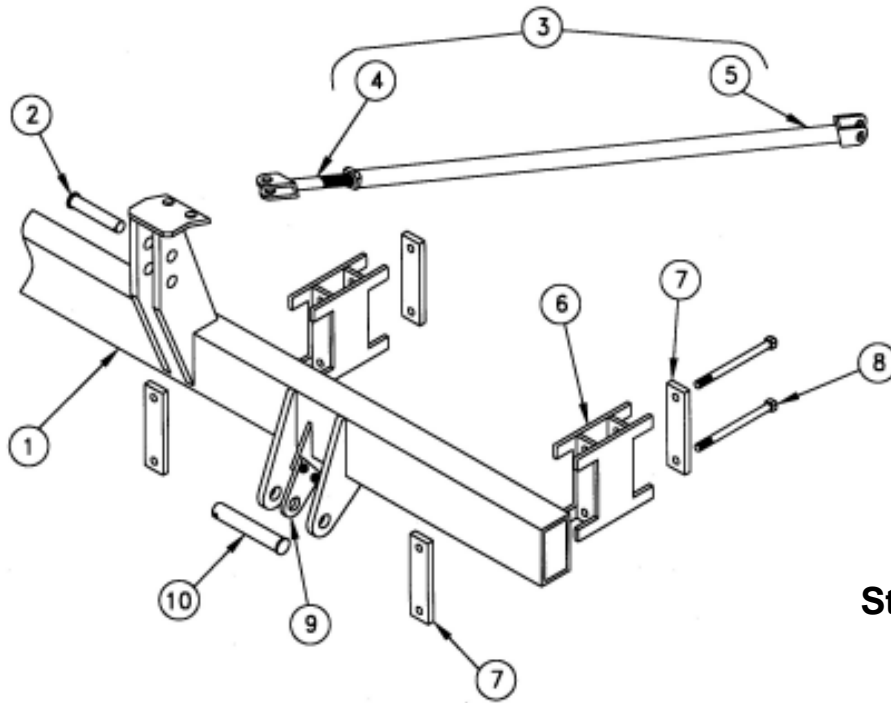
ROLLING BASKETS

1½" Shaft and Bearings



ITEM NO.	PART NO.	WT. LBS.	DESCRIPTION	QTY. REQ. FOR 1 MACHINE
1	301968	101	Two Basket Frame -- 1½" Brg. - 3 @ 30" Row	4
2	301290	20½	Arm -- Rolling Basket.....	12
-	411551	-	Hex Bolt -- 1/2" x 3" - Gr. 5 - Zinc	12
-	410008	-	Lock Nut -- 1/2" NC - Zinc.....	12
3	202729	5½	Connecting Angle -- Rolling Basket	12
-	411546	-	Hex Bolt -- 1/2" x 1¾" NC - Gr. 5 - Zinc	24
-	415108	½	1/2" U-Bolt x 2-1/2" x 4" Leg - Grade 5	24
-	410008	-	Lock Nut -- 1/2" NC - Zinc.....	72
4	301966	110	88" Front Basket Only -- 1½" Brg. - 3 @ 30" Row	4
5	301967	110	88" Rear Basket Only -- 1½" Brg. - 3 @ 30" Row	4
6	507081	3¼	1½" Cast Flange Bearing Assembly	16
-	411546	-	Hex Bolt -- 1/2" x 1-3/4" NC - Gr. 5 - Zinc.....	32
-	410008	-	Lock Nut -- 1/2" NC - Zinc	32
7	411237	1	Hex Bolt -- 5/8" x 8" NC - Gr. 2 - Zinc.....	12
-	200412	-	Formed Head Holder.....	12
-	410009	-	Lock Nut -- 5/8" NC - Zinc.....	12
-	202350	-	Cup Washer for Spring	12
8	471006	1½	Compression Spring.....	12

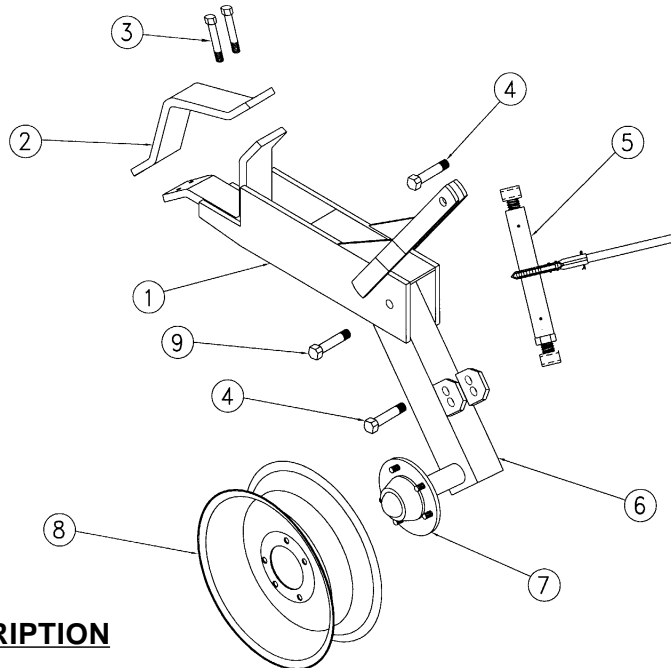
HITCH ASSEMBLY



**Cat. III
Standard or Narrow**

<u>ITEM NO.</u>	<u>PART NO.</u>	<u>WT. LBS.</u>	<u>DESCRIPTION</u>	<u>QTY. REQ. FOR 1 HITCH</u>
1	302019	349	Hitch - 12 @ 30" Row - Cat. III & IIIN(4" x 7" x 114")...	1
2	416698	2	1 1/4" Top Link Pin - Zinc	1
-	416207	-	Klik Pin -- 7/16" - Zinc.....	1
3	773666	21 1/2	Adjusting Arm Assembly	2
-	416659	.70	Clevis Pin -- 1" x 2-21/32" - Zinc	4
-	416309	-	Rue Ring Cotter Pin 1" - Zinc	4
4	300381	5 1/4	Turnbuckle Bottom (Rod)	2
5	301602	16 1/4	Turnbuckle Body (65" Pipe)	2
6	302014	25	5" Spacer Block -- Top Leveling Stacker	4
7	203960	5	Backing Plate -- Top Leveling Stacker	8
-	411598	1/2	Hex Bolt -- 3/4" x 6 1/2" NC - Gr 5 - Zinc	8
-	412012	-	Hex Nut -- 3/4" - 10 - Gr 2 - Zinc	8
-	413512	-	Lock Washer -- 3/4" - Zinc.....	8
8	411604	1 1/4	Hex Bolt -- 3/4" x 10" NC - Gr 5 - Zinc.....	8
-	412012	-	Hex Nut -- 3/4" - 10 - Gr 2 - Zinc	8
-	413512	-	Lock Washer -- 3/4" - Zinc	8
9	204117	3	Hitch Center Pull Plate	2
-	411214	1/4	Hex Bolt -- 5/8" x 2" NC - Gr. 2 - Zinc.....	4
-	412010	-	Hex Nut -- 5/8" - 11 - Gr 2 - Zinc	4
-	413510	-	Lock Washer -- 5/8" - Zinc.....	4
10	300841	4 1/4	Hitch Pin -- 1-7/16" x 9"	2
-	416207	-	Klik Pin -- 7/16" - Zinc.....	2

RATCHET ADJ. GAUGE WHEELS



No. 1338
1 Pair Required

ITEM NO.	PART NO.	WT. LBS.	DESCRIPTION	QTY. REQ. FOR 1 ASSEMBLY
1	302225	60	Holder -- Gauge Wheels	1
2	203770	10	Backing Clamp for 7" Sq. Bar.....	1
3	411591	½	Hex Bolt -- 3/4" x 4" NC - Gr 5 - Zinc	4
-	412012	-	Hex Nut -- 3/4" - 10 - Gr 2 - Zinc.....(Not Illustrated) ...	4
-	413512	-	Lock Washer -- 3/4" - Zinc.....(Not Illustrated) ...	4
4	411591	½	Hex Bolt -- 3/4" x 4" NC - Gr 5 - Zinc	2
-	412012	-	Hex Nut -- 3/4" - 10 - Gr 2 - Zinc.....(Not Illustrated) ...	2
-	413512	-	Lock Washer -- 3/4" - Zinc.....(Not Illustrated) ...	2
5	302025	11½	Ratchet Crank Assembly	1
6	302226	34¾	RH Leg w/Hub -- #1338 Gauge Wheel	1
-	302227	34¾	LH Leg w/Hub -- #1338 Gauge Wheel.....(Not Illustrated) ...	1
7	491119	11	5 Hole Hub Complete - Q-719	1
-	491007	9¾	Hub w/Cups Only - Q-719.....(Not Illustrated) ...	1
-	481205	¼	Cone - Q809 & Q719 - LM67048.....(Not Illustrated) ...	1
-	496010	-	Outer Cup - Q809 & Q719 - LM67010.....(Not Illustrated) ...	1
-	481204	¼	Cone - Q809 & Q719 - LM48548.....(Not Illustrated) ...	1
-	496011	-	Inner Cup - Q809 & Q719 - LM48510.....(Not Illustrated) ...	1
-	497010	-	Grease Seal - Q719 - CR 15190.....(Not Illustrated) ...	1
-	490006	¼	Hub Cap - Q809 & Q719.....(Not Illustrated) ...	1
-	490015	-	1/2" NF Lug Nut.....(Not Illustrated) ...	5
-	490017	-	Drive-In Hub Bolt - Q719.....(Not Illustrated) ...	5
-	412164	-	Slotted Nut -- 7/8" - 14 Spindle.....(Not Illustrated) ...	1
-	490034	-	Spindle Washer -- 7/8" - Q875/Q809/Q719.....(Not Illustrated) ...	1
8	493007	17	15" x 5" x 5 Hole Wheel	1
9	411594	¾	Hex Bolt -- 3/4" x 5" NC - Gr 5 - Zinc	1
-	412012	-	Hex Nut -- 3/4" - 10 - Gr 2 - Zinc.....(Not Illustrated) ...	1
-	413512	-	Lock Washer -- 3/4" - Zinc.....(Not Illustrated) ...	1

USE ONLY

W & A REPLACEMENT PARTS



W & A Manufacturing Company

1810 Ohio Street
Phone (870) 534-7420

P.O. Box 5238
Fax (800) 336-1318

PINE BLUFF, ARKANSAS 71611

www.wamfgco.com