

W & A

PARTS MANUAL



8 & 12 ROW

FOLDING LEVEL BANDER

Model No. 3628 & 3632



Quality Products from

W & A MANUFACTURING COMPANY

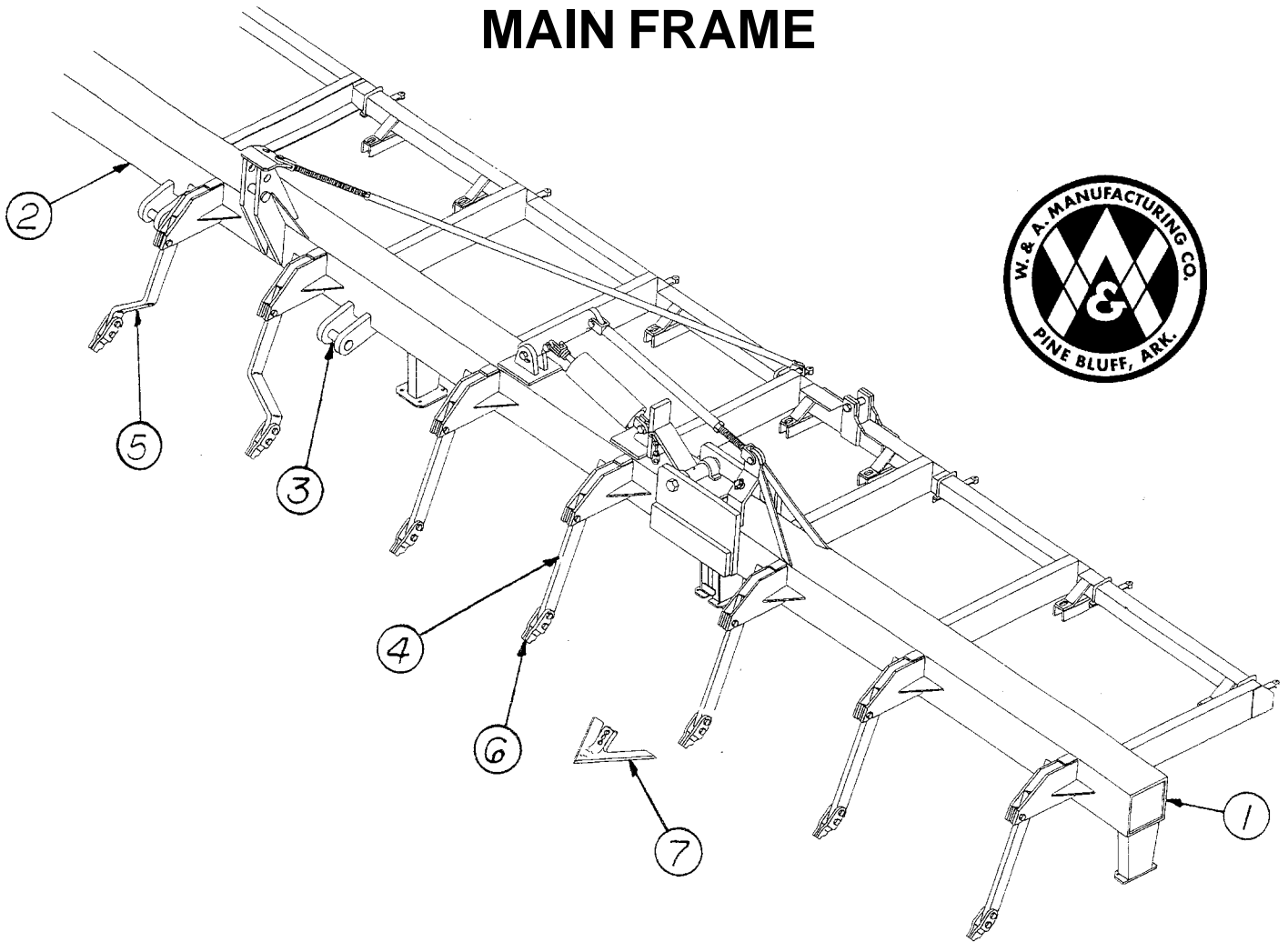
P.O. Box 5238, Pine Bluff, Arkansas 71611

Phone: (870) 534-7420

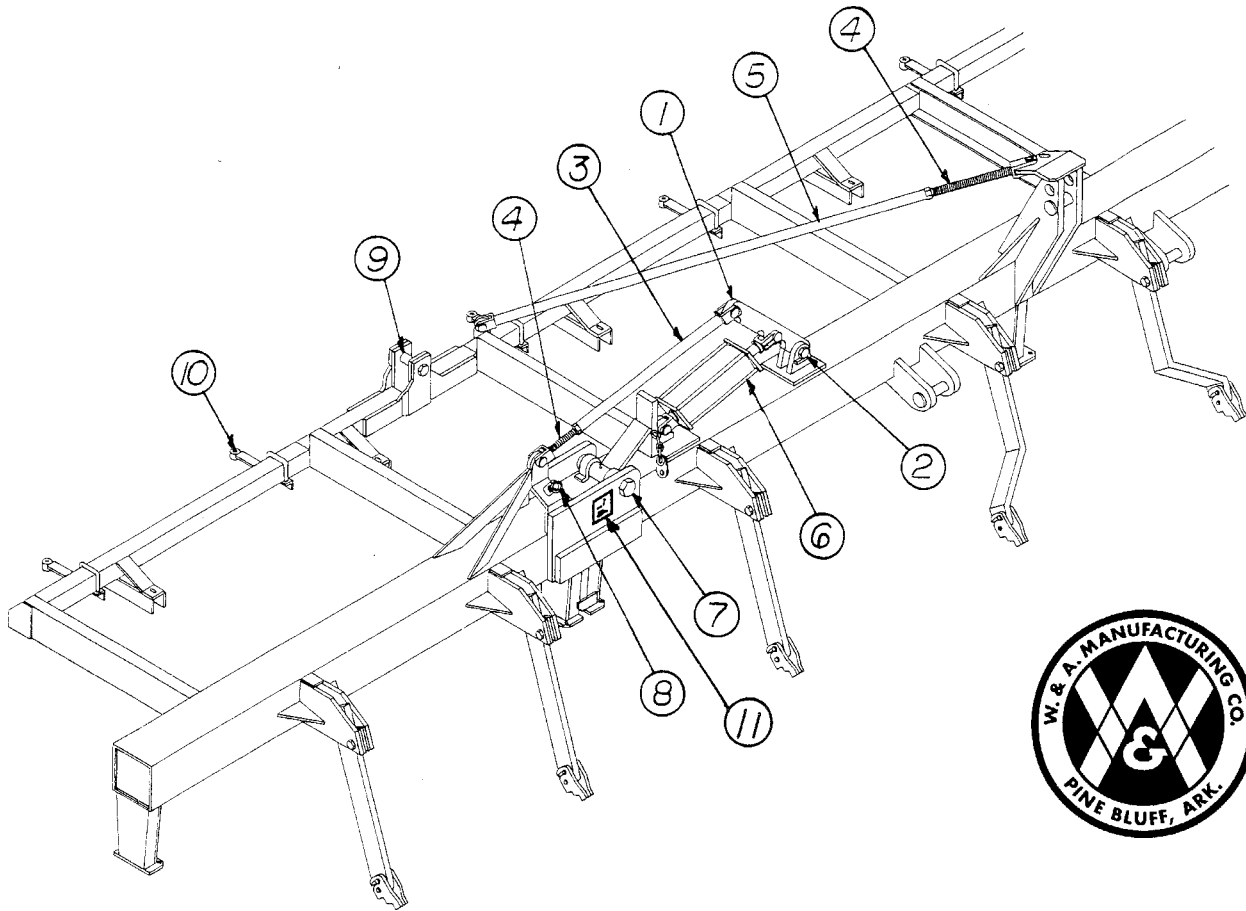
Fax: (800) 336-1318

Website: www.wamfgco.com

MAIN FRAME

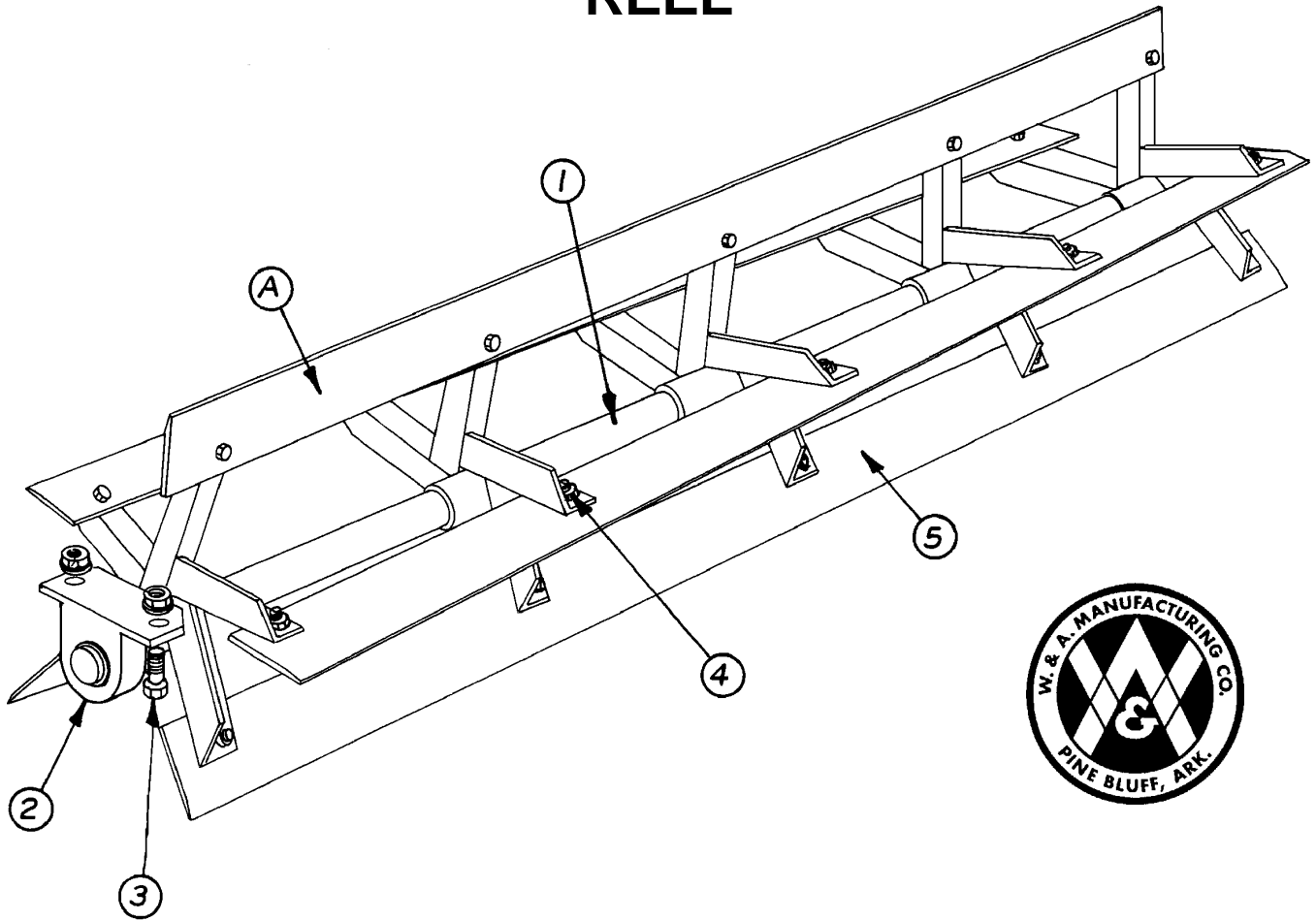


<u>ITEM NO.</u>	<u>PART NO.</u>	<u>WT. LBS.</u>	<u>DESCRIPTION</u>	<u>QTY. REQ.</u>
1	301594	532	Wing Eight Row - LH*	
-	301593	532	Wing Eight Row - RH*	
-	301596	664	Wing Twelve Row - LH*	
-	301595	664	Wing Twelve Row - RH*	
2	301584	935	Center Section Eight Row*	
-	301585	1,267	Center Section Twelve Row*	
3	300841	4¼	Hitch Pin -- 1-7/16" x 9"	
-	301600	3	Pull Pin -- 1-7/16" x 6-1/2"	
4	201489	23¼	Slanted Root Rooter Shank - 28"	
5	201490	24½	Slanted Offset RH Root Rooter Shank - 28"	
-	201491	24½	Slanted Offset LH Root Rooter Shank - 28"	
6	300244	3½	Friction Trip Foot -- Root Rooter	
7	474016	4½	16" Mixed Land Sweep	
-	411834		Plow Bolt -- 7/16" x 2" NC - Gr 5 - #3 - Zinc	
-	411836		Plow Bolt -- 7/16" x 3" NC - Gr 5 - #3 - Zinc	
-	412007		Hex Nut -- 7/16" - 14 - Gr 2 - Zinc	
-	413507		Lock Washer -- 7/16" - Zinc	



<u>ITEM NO.</u>	<u>PART NO.</u>	<u>WT. LBS.</u>	<u>DESCRIPTION</u>	<u>QTY. REQ.</u>
1	202917	18½	Cylinder Attaching Bracket - 12NF 12LBF	
2	203417	1¼	Cylinder Bracket Bolt - Level Bander	
3	301597	6¾	Turnbuckle Body - 22-1/2" (Level Bander)	
4	300381	5¼	Turnbuckle Bottom (Rod) Pulv.	
5	301598	15¾	Truss Rod Body 58" -- 6LB 8LBF	
-	301599	21¾	Truss Rod Body -- 8LB 12LBF - 91"	
6	476007	34	Hydraulic Cylinder -- 3-1/2" x 8" (8 Row)	
-	476011	71	Hydraulic Cylinder -- 5" x 8" (12 Row)	
-	203385	1¼	Cylinder Pin for 5" x 8" Cylinder	
-	446184	¼	½" x ¼" Swivel Orifice Elbow*	
-	477050	-	Seal Kit -- 3-1/2" x 8" & 16" Lion Cyl. (1-1/4" Rod)	
-	477053	-	Seal Kit -- 5" x 8" Lion Cyl. (1-1/2" Rod)	
7	411677	4¼	Hex Bolt -- 1-1/4" x 11" NC - Gr 5 - Zinc - Full Body	
-	412420	¼	Jam Nut -- 1-1/4" - 7 - Gr 2 - Zinc	
8	416204	-	1/4" Klik Pin - Zinc	
9	411316	1½	Hex Bolt -- 1" x 6-1/2" NC - Gr 2 - Zinc	
-	412416	¼	Jam Nut -- 1" - 8 - Gr 2 - Zinc	
10	301601	1½	Spray Nozzle Bracket -- Level Bander	
-	415108	½	1/2" U Bolt x 2-1/2" x 4" Leg - Grade 5	
11	461135	-	Safety Decal -- "Overhead Wing Hazard"	

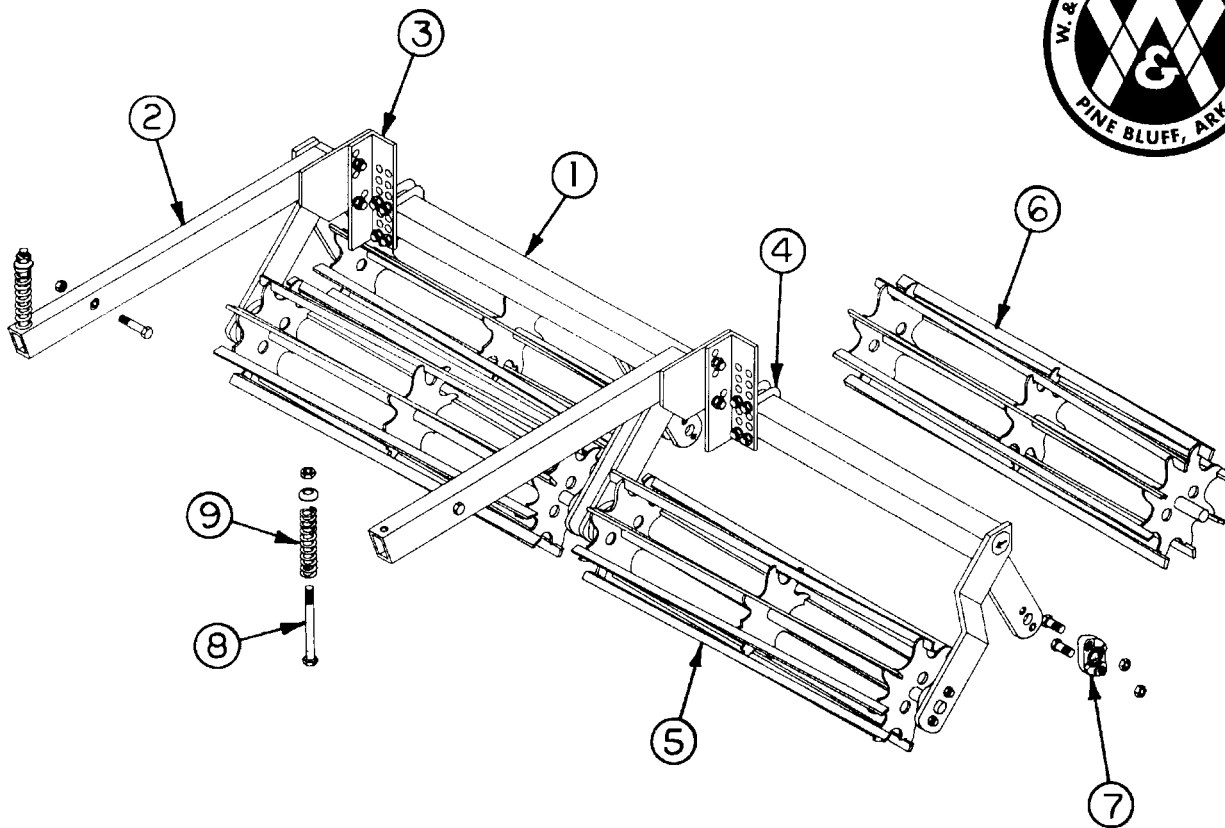
REEL



ITEM NO.	PART NO.	WT. LBS.	DESCRIPTION	QTY. REQ'D FOR 1 MACHINE	
				8 ROW	12 ROW
A	770020	235	Spiral 6 ft Reel Complete w/Bearings	4	3
-	770021	340	Spiral 106" Reel Complete w/Bearings...(Wings)	-	2
1	300451	116	77" Reel Shaft w/5 Support Brackets*	4	3
-	301067	187	114" Reel Shaft w/7 Support Brackets*	-	2
2	482101	4	1-15/16" Pillow Block & Bearing - Pulv.	8	10
-	481215	1	1-15/16" Bearing w/Lock Collar Peer - #G1115-KRRB-S1115K	-	-
-	480006	3	Pillow Block for 1-15/16" Bearing	-	-
3	411562	-	Hex Bolt -- 5/8" x 2-1/2" NC - Gr 5 - Zinc	16	20
-	410009	-	Lock Nut -- 5/8" NC - Zinc	16	20
-	413010	-	Flat Washer -- 5/8" - Zinc	16	20
4	411211	-	Hex Bolt -- 5/8" x 1-1/4" NC - Gr 2 - Zinc	100	145
-	410009	-	Lock Nut -- 5/8" NC - Zinc	100	145
5	200539	20	Spiral Pulvamer Blade x 72"	20	15
-	202168	31	Spiral Pulvamer Blade x 106"	-	10

ROLLING BASKETS

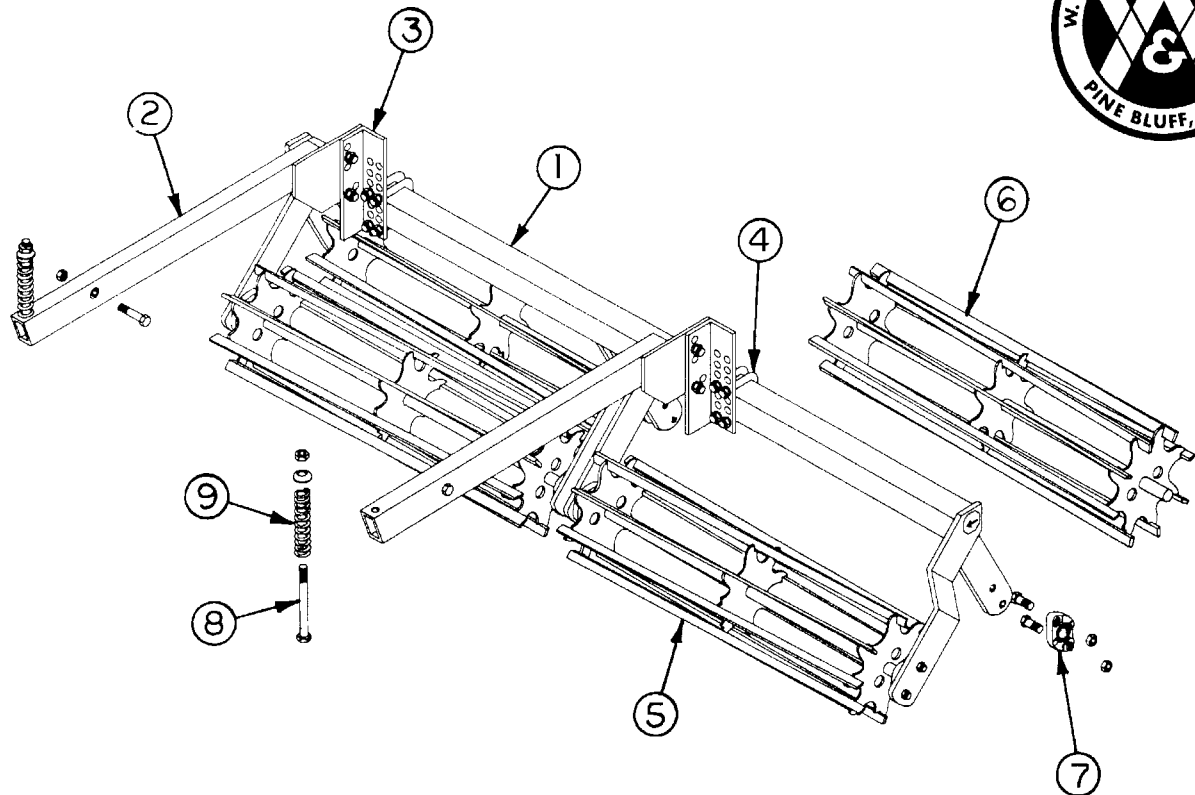
1" Shaft and Bearings



<u>ITEM NO.</u>	<u>PART NO.</u>	<u>WT. LBS.</u>	<u>DESCRIPTION</u>	<u>QTY. REQ.</u>
1	301287	100	Two Row Frame -- 1" Rolling Baskets	
-	301288	150	Three Row Frame -- 1" Rolling Baskets	
-	301289	200	Four Row Frame -- 1" Rolling Baskets	
2	301290	20½	Arm -- Rolling Baskets	
3	202745	5½	Connecting Angle – AS SHOWN* (Four Row)	
-	202729	5½	Connecting Angle - Rolling Baskets (Opposite Hand)	
-	411545	-	Hex Bolt -- 1/2" x 1-1/2" NC - Gr 5 - Zinc	
4	415108	½	1/2" U-Bolt x 2-1/2" x 4" Leg - Grade 5	
5	301294	36¼	Rolling Basket Only -- Front (1" Shaft)	
-	202749	2.7	Front Blade Only For Rolling Basket	
6	301295	36¼	Rolling Basket Only -- Rear (1" Shaft)	
-	202750	2.7	Rear Blade Only For Rolling Basket	
7	482010	1	Bearing Assem -- 1" Rolling Basket	
-	481221	-	1" Bearing & Collar - Roll Baskets Peer	
-	411508	-	Hex Bolt, 3/8" x 1½" Gr. 5*	
8	411237	1	Hex Bolt -- 5/8" x 8" NC - Gr 2 - Zinc	
-	200412	-	Formed Head Holder	
-	410009	-	Lock Nut -- 5/8" NC - Zinc	
-	202350	-	Cup Washer For Pulv Dragboard Brkt Spg	
9	471006	1½	Compression Spring Dragboard Leg	

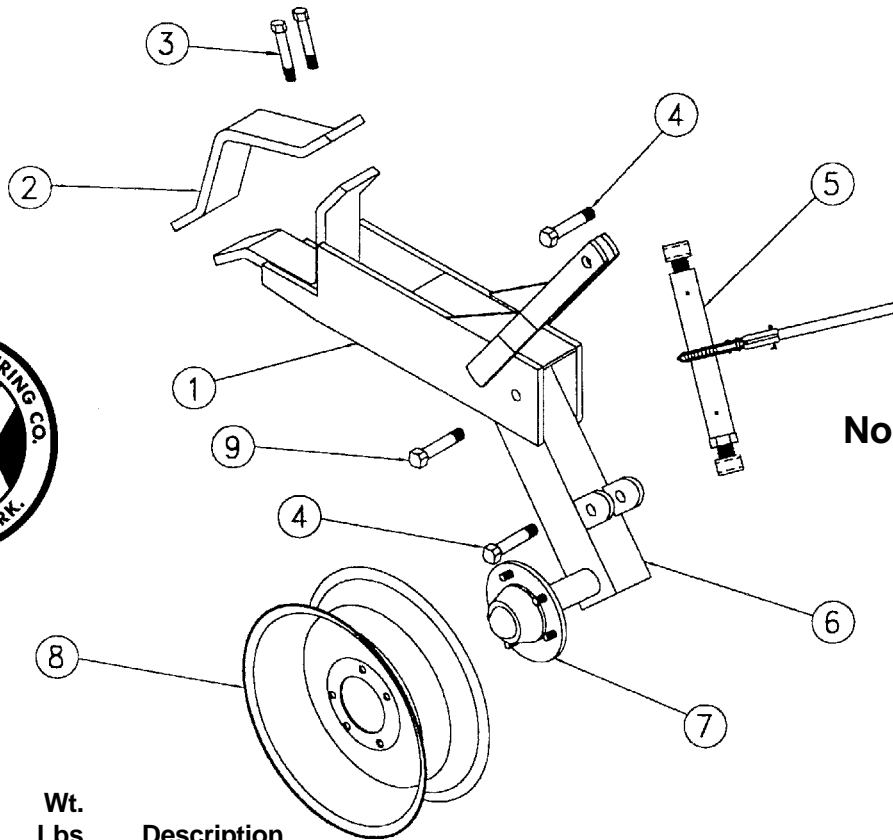
ROLLING BASKETS

1 1/4" Shaft and Bearings



<u>ITEM NO.</u>	<u>PART NO.</u>	<u>WT. LBS.</u>	<u>DESCRIPTION</u>	<u>QTY. REQ.</u>
1	301954	100	Two Row Frame*	
-	301955	150	Three Row Frame*	
-	301956	200	Four Row Frame*	
2	301290	20 1/2	Arm -- Rolling Baskets	
3	202745	5 1/2	Connecting Angle -- AS SHOWN* (Four Row)	
-	202729	5 1/2	Connecting Angle - Rolling Baskets (Opposite Hand)	
-	411545	-	Hex Bolt -- 1/2" x 1-1/2" NC - Gr 5 - Zinc	
4	415108	1/2	1/2" U-Bolt x 2-1/2" x 4" Leg - Grade 5	
5	301948	41 1/4	Front Rolling Basket Only -- 1-1/4" Shaft	
-	202749	2.7	Front Blade Only for Rolling Baskets	
6	301949	41 1/4	Rear Rolling Basket Only -- 1-1/4" Shaft	
-	202750	2.7	Rear Blade Only for Rolling Baskets	
7	482024	2	1-1/4" Cast Flange Bearing Assm RB	
-	481288	-	1-1/4" Bearing Only w/Lock Collar RB	
-	411534	-	Hex Bolt -- 7/16" x 1-1/2" NC - Gr 5 - Zinc (Outside Bearings)	
-	204145	-	Bearing Spacer* (Inside Bearings)	
-	411539	-	Hex Bolt -- 7/16" x 3-1/2" NC - Gr 5 - Zinc (Inside Bearings)	
-	410007	-	Lock Nut -- 7/16" NC - Zinc	
8	411237	1	Hex Bolt -- 5/8" x 8" NC - Gr 2 - Zinc	
-	200412	-	Formed Head Holder	
-	410009	-	Lock Nut -- 5/8" NC - Zinc	
-	202350	-	Cup Washer for Pulv Dragboard Brkt Spg	
9	471006	1 1/2	Compression Spring Dragboard Leg	

RATCHET ADJ. GAUGE WHEELS



No. 1335

Item No.	Part No.	Wt. Lbs.	Description	Qty. Req'd
1	301611	60	Holder	1
2	202320	10	Backing Clamp for 7" x 7" Bar	1
3	411565	¼	Hex Bolt -- 5/8" x 3-1/2" NC - Gr 5 - Zinc	4
-	412010	-	Hex Nut -- 5/8" - 11 - Gr 2 - Zinc	4
-	413510	-	Lock Washer -- 5/8" - Zinc	4
4	411251	½	Hex Bolt -- 3/4" x 4" NC - Gr 2 - Zinc	2
-	412012	-	Hex Nut -- 3/4" - 10 - Gr 2 - Zinc	2
-	413512	-	Lock Washer -- 3/4" - Zinc	2
5	302025	11½	Ratchet Crank Assembly	1
6	301605	34	RH Leg w/Hub -- #1335 Gauge Wheel	1
-	301606	34	LH Leg w/Hub -- #1335 Gauge Wheel	1
7	491119	11	5 Hole Hub Complete - Q-719	1
-	491007	9¾	Hub w/Cups Only - Q-719	1
-	481205	¼	Cone - Q719 - LM67048	1
-	496010	-	Outer Cup - Q719 - LM67010	1
-	481204	¼	Cone - Q719 - LM48548	1
-	496011	-	Inner Cup - Q719 - LM48510	1
-	497010	-	Grease Seal - Q719 - CR 15190	1
-	490006	¼	Hub Cap - Q719	1
-	490015	-	1/2" NF Lug Nut	5
-	490017	-	Drive-In Hub Bolt - Q719	5
-	412164	-	Slotted Nut -- 7/8" - 14 Spindle	1
-	490034	-	Spindle Washer -- 7/8" - Q719	1
8	493007	17	15" x 5" x 5 Hole Wheel	1
9	411254	¾	Hex Bolt -- 3/4" x 5" NC - Gr 2 - Zinc	1
-	412012	-	Hex Nut -- 3/4" - 10 - Gr 2 - Zinc	1
-	413512	-	Lock Washer -- 3/4" - Zinc	1