

W & A PARTS MANUAL



STACKER PULVAMIZER

Model No. 3614 -- 12 @ 38" Row
3 Point Hitch



Quality Products from

W & A MANUFACTURING COMPANY

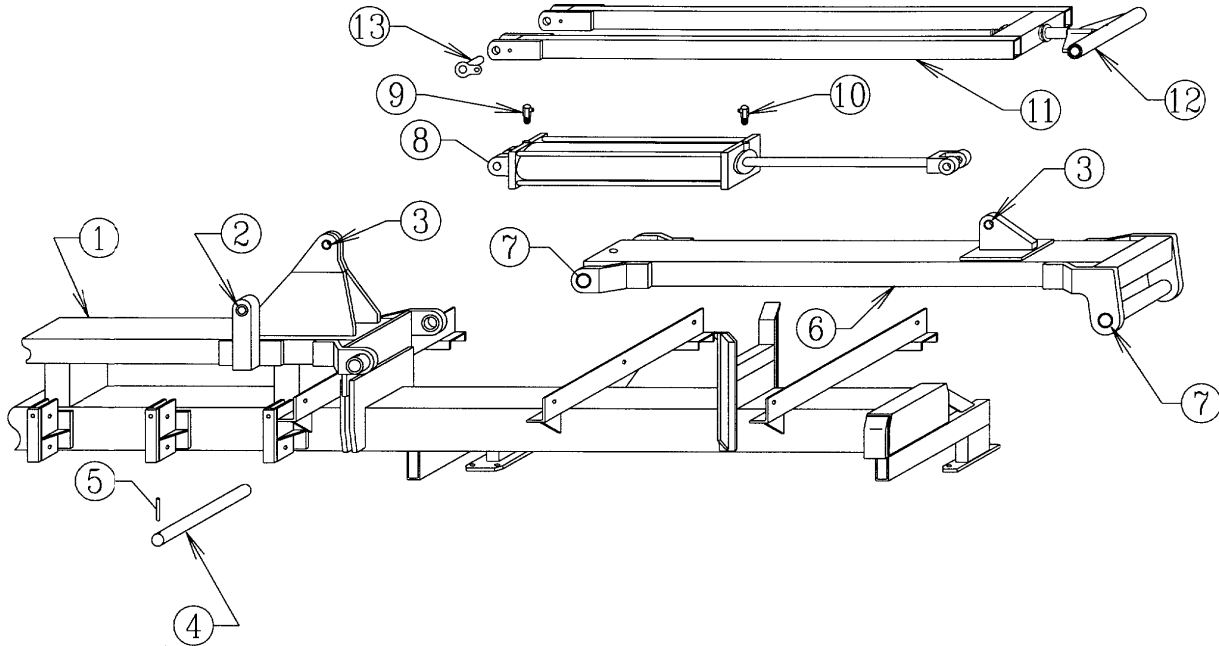
P.O. Box 5238, Pine Bluff, Arkansas 71611

Phone: (870) 534-7420

Fax: (800) 336-1318

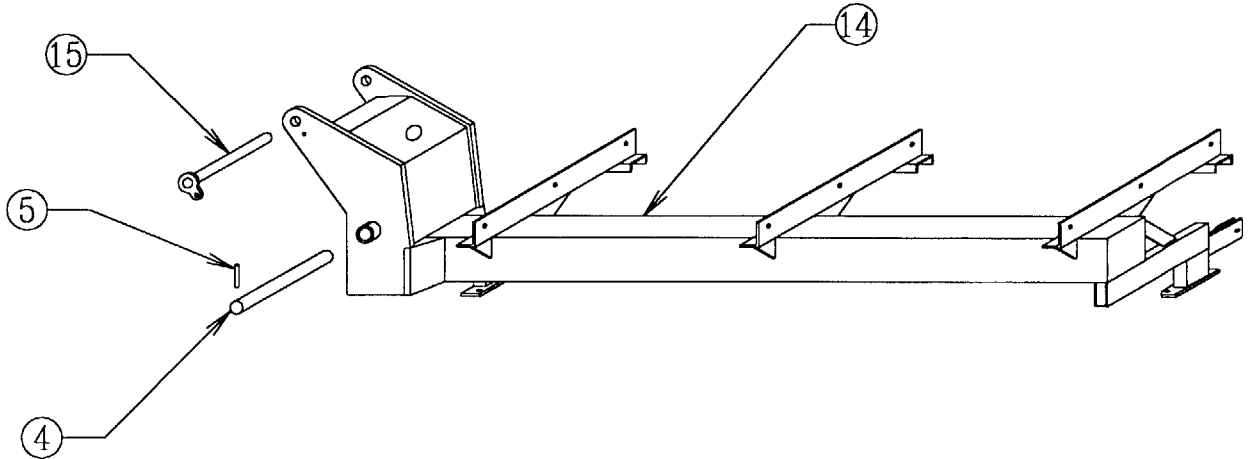
Website: www.wamfgco.com

CENTER SECTION



ITEM NO.	PART NO.	WT. LBS.	DESCRIPTION	QTY. REQ'D FOR 1 MACHINE
1	301857	1729	Center Section	1
2	401084	¼	Form 1 Bushing -- 1½" OD x 1¼" ID x 1½" Long	4
3	401080	¼	Form 1 Bushing -- 1½" OD x 1¼" ID x 1" Long	4
4	203948	14¼	2" Pivot Pin x 16¼"	4
-	413124	-	Machine Washer -- 3" OD x 2" ID x 10 Ga	4
5	416133	-	Roll Pin -- 1/2" x 3½" - Zinc	4
6	301802	265	Power Arm -- Top Leveling Stacker	2
7	401118	½	Bushing -- 2.376" OD x 2.006" ID x 2" Long	8
-	450004	-	1/4" Drive-in Grease Fitting	4
8	476029	126	Hydraulic Cylinder -- 5" x 30" w/Pins	2
-	477056	-	Seal Kit -- 5" x 24" & 5" x 30" Lion Cyl - 2" rod	-
9	446188	¼	1/2" x 1/2" Swivel Orifice Elbow	2
10	446188	¼	1/2" x 1/2" Swivel Orifice Elbow	2
-	785103	½	3/8" Hydraulic Hose x 103"	2
-	785120	½	3/8" Hydraulic Hose x 120"	2
11	301820	88	Leveling Arm - For 1½" Dia. Rod	2
12	301819	19¾	Leveling Arm End with Lock Nut -- 1½" Dia. Rod	2
-	410032	1	Lock Nut -- 1½" NF Top Lock - Zinc	2
-	413024	¼	Flat Washer -- 1½" - Zinc	2
-	413120	-	Machine Washer -- 2¼" OD x 1½" ID x 10 Ga	2
-	450004	-	1/4" Drive-in Grease Fitting	2
-	401095	-	Form 1 Bushing -- 1-7/8" OD x 1½" ID x 1" Long	4
13	301824	1¾	Small Pin -- 1¼" x 2½" Stacker Bar	4
-	411545	-	Hex Bolt -- 1/2" x 1½" NC - Gr 5 - Zinc	4
-	413508	-	Lock Washer -- 1/2" - Zinc	4
-	413008	-	Flat Washer -- 1/2" - Zinc	4

WING



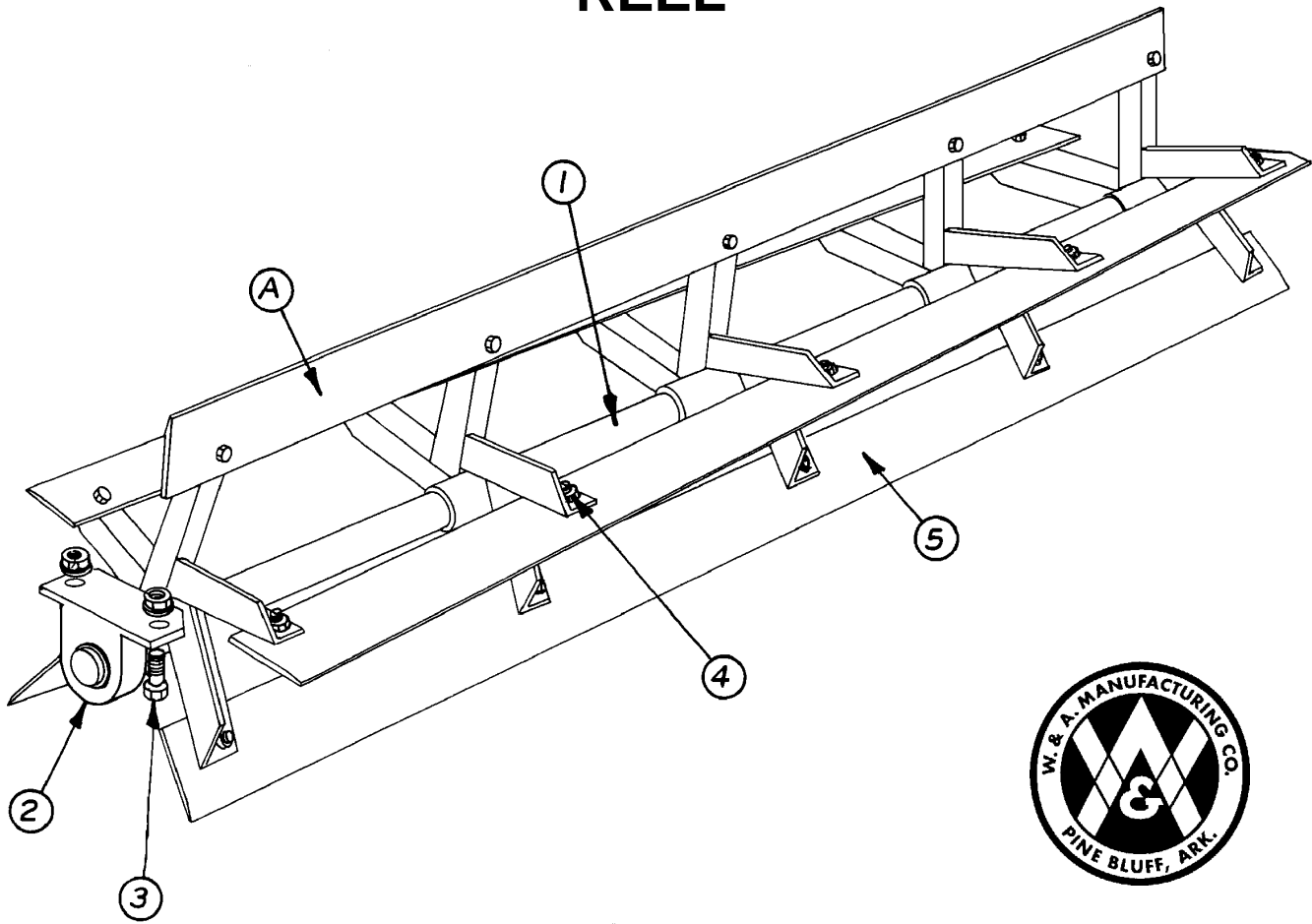
<u>ITEM NO.</u>	<u>PART NO.</u>	<u>WT. LBS.</u>	<u>DESCRIPTION</u>	<u>QTY. REQ'D FOR 1 MACHINE</u>
4	203948	14¼	2" Pivot Pin x 16-1/4"	4
-	413124	-	Machine Washer -- 3" OD x 2" ID x 10 Ga	8
5	416133	-	Roll Pin -- 1/2" x 3-1/2" - Zinc	4
14	301859	634	Wing for 12 @ 38" Stacker -- LH (Shown)	1
-	301858	634	Wing for 12 @ 38" Stacker -- RH	1
15	301825	8	Top Pin -- Top Leveling Stacker	2
-	411545	-	Hex Bolt -- 1/2" x 1-1/2" NC - Gr. 5 - Zinc	2
-	413508	-	Lock Washer -- 1/2" - Zinc	2
-	413008	-	Flat Washer -- 1/2" - Zinc	2

USE ONLY



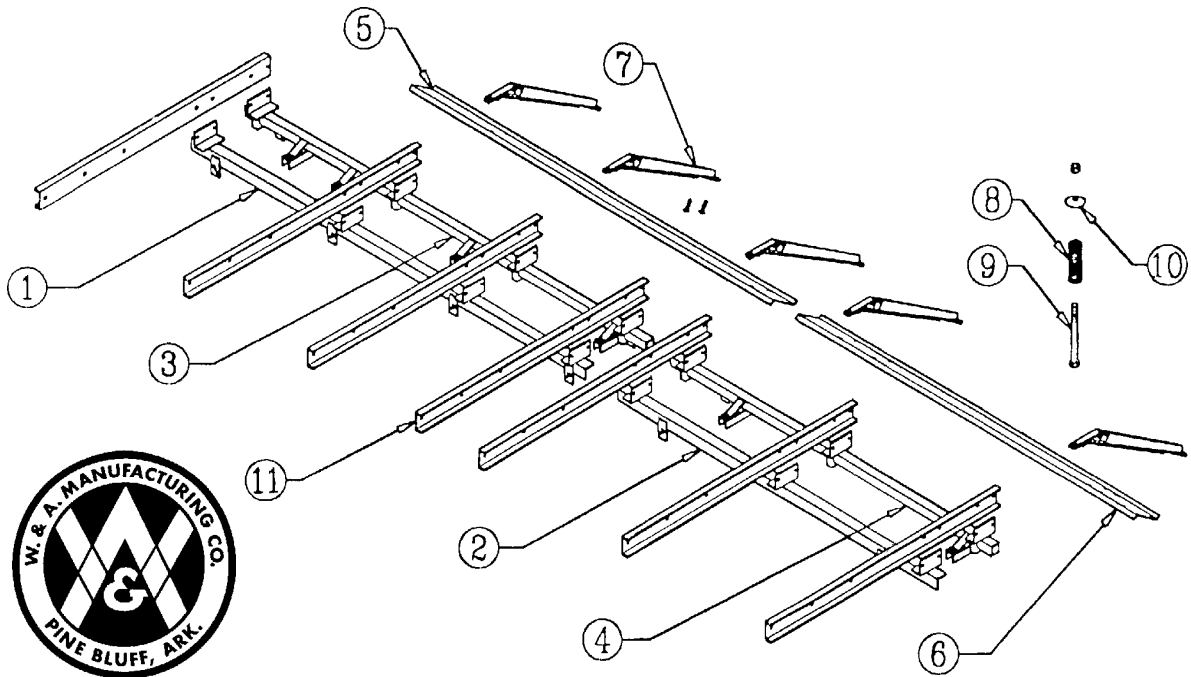
W & A REPLACEMENT PARTS

REEL



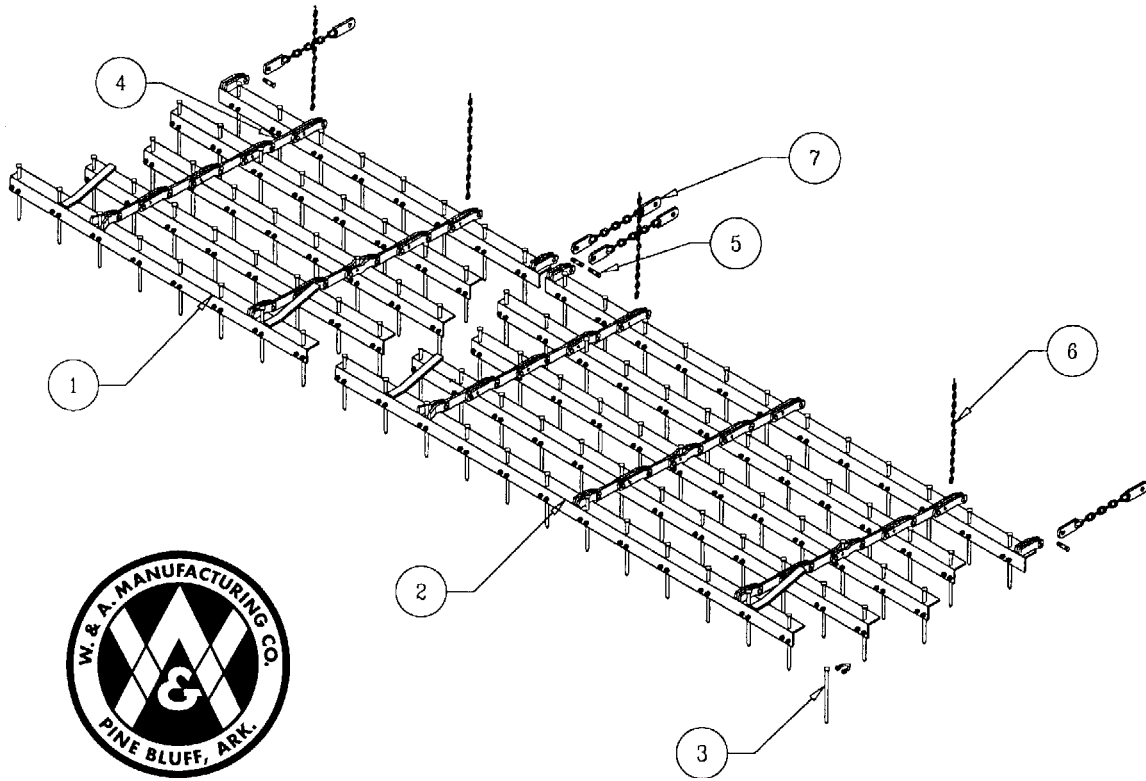
<u>ITEM NO.</u>	<u>PART NO.</u>	<u>WT. LBS.</u>	<u>DESCRIPTION</u>	<u>QTY. REQ'D FOR 1 MACHINE</u>
A	770020	235	Spiral 6 ft Reel Complete w/Bearings	3
-	770021	340	Spiral 106" Reel Complete w/Bearings (for Wings)	2
1	300451	116	Spiral 77" Reel Shaft Only w/5 Support Brackets	3
-	301067	187	Spiral 114" Reel Shaft Only w/7 Support Brackets	2
2	482101	4	1-15/16" Pillow Block & Bearing Complete	10
-	481215	1	1-15/16" Bearing w/Lock Collar	-
-	480006	3	Pillow Block for 1-15/16" Bearing	-
3	411562	-	Hex Bolt -- 5/8" x 2 1/2" NC - Gr 5 - Zinc	20
-	410009	-	Lock Nut -- 5/8" NC - Gr 2 - Zinc	20
-	413010	-	Flat Washer -- 5/8" - Zinc	20
4	411211	-	Hex Bolt -- 5/8" x 1 1/4" NC - Gr 2 - Zinc	145
-	410009	-	Lock Nut -- 5/8" NC - Gr 2 - Zinc	145
5	200539	20	Spiral Pulvamer Blade x 72"	15
-	202168	31	Spiral Pulvamer Blade x 106"	10

FRAME & DRAGBOARDS



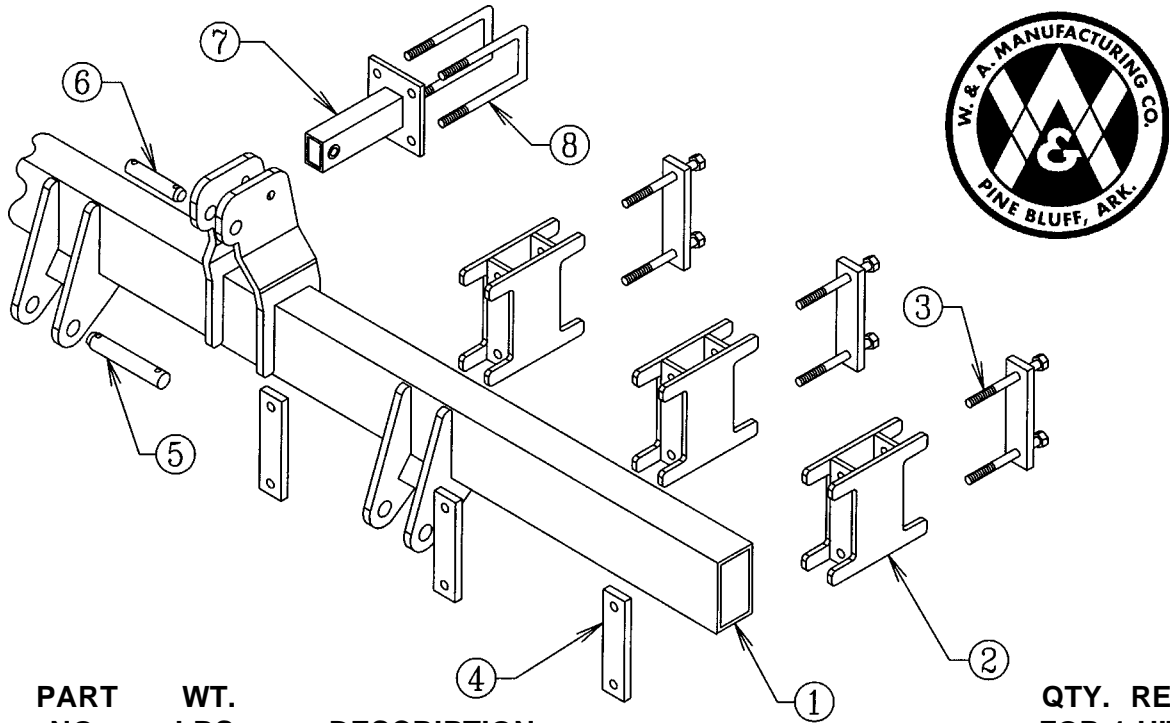
ITEM NO.	PART NO.	WT. LBS.	DESCRIPTION	QTY. REQ'D FOR 1 MACHINE
1	301861	124	Front Center Harrow Frame	1
2	301863	62	Front Left Hand Frame (Shown)	1
-	301862	62	Front Right Hand Frame	1
3	301864	198	Rear Center Harrow Frame	1
4	301866	100	Rear Left Hand Frame (Shown)	1
-	301865	100	Rear Right Hand Frame	1
5	202322	54	10'0" Metal Dragboard LH (Shown)	1
-	202509	54	10'0" Metal Dragboard RH	1
6	202910	51	112" Metal Dragboard -- Wings	2
7	300388	17	Dragboard Bracket (Pulv)	10
-	411551	¼	Hex Bolt -- 1/2" x 3" NC - Gr 5 - Zinc	10
-	410008	-	Lock Nut -- 1/2" NC - Zinc	10
-	411729	-	Carriage Bolt -- 1/2" x 1¼" NC - Gr 2 - Zinc*	20
-	412008	-	Hex Nut -- 1/2" - 13 - Gr 2 - Zinc*	20
-	413508	-	Lock Washer -- 1/2" - Zinc*	20
* Attaches bracket to dragboard				
8	471006	1½	Compression Spring	10
9	411237	1	Hex Bolt -- 5/8" x 8" NC - Gr 2 - Zinc	10
-	410009	-	Lock Nut -- 5/8" NC - Gr 2 - Zinc	10
10	202350	-	Cup Washer for Spring	10
11	204027	41	Connecting Channel - 75-3/8"	12
-	411560	-	Hex Bolt -- 5/8" x 1½" NC - Gr 5 - Zinc	84
-	412010	-	Hex Nut -- 5/8" - 11 - Gr 2 - Zinc	84
-	413510	-	Lock Washer -- 5/8" - Zinc	84

HARROWS



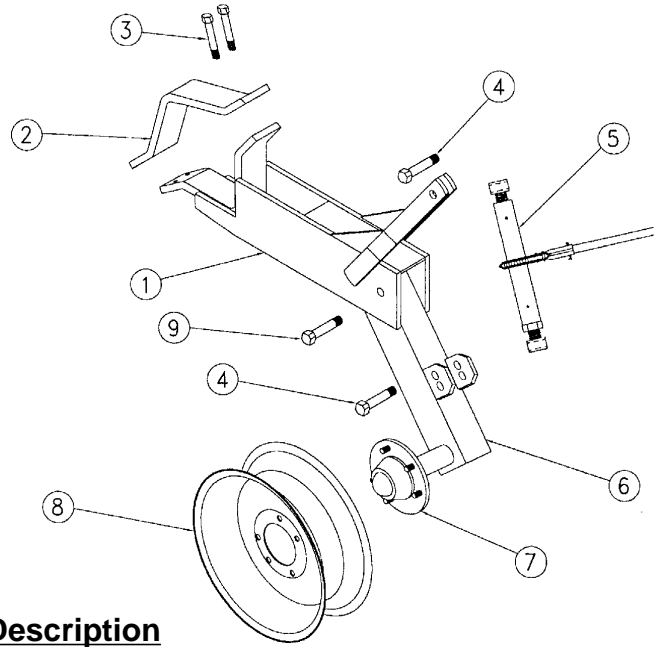
ITEM NO.	PART NO.	WT. LBS.	DESCRIPTION	QTY. REQ'D FOR 1 MACHINE
1	773025	291	6' Heavy N3P Harrow w/Bushings - 9 Link Pull Chains	3
2	773026	435	111" Heavy N3P Harrow w/Bushings - 9 Link Pull Chains.	2
3	472010	1 3/4	Harrow Tooth -- 3/4" x 11"	240
-	415105	-	3/8" V-Bolt x 1-1/8" x 2" Leg (Adj. Harrow)	240
-	410006	-	Lock Nut -- 3/8" NC - Zinc	480
4	773013	1 1/4	Harrow Conn. Link w/Bushings - 4 1/2" Long	48
-	401055	-	Spring Bushing for Harrow Pull Piece - 5/8" ID	96
-	200557	1	Short Connecting Link Only	48
5	416633	1/4	Clevis Pin Knurled & Threaded -- 5/8" x 2 1/4" - Zinc	106
-	410009	-	Lock Nut -- 5/8" NC - Gr 2 - Zinc	106
6	402015	1	High Test Chain -- 1/4" x 19 Links	20
-	416204	-	Klik Pin -- 1/4" - Zinc	20
-	411148	-	Hex Bolt -- 3/8" x 2 1/2" NC - Zinc	20
-	412006	-	Hex Nut -- 3/8" - 16 - Gr 2 - Zinc	20
-	413506	-	Lock Washer -- 3/8" - Zinc	20
-	413006	-	Flat Washer -- 3/8" - Zinc	60
7	300582	3 1/2	Pull Piece w/Bushings - 9 Link - N3P Harrow	10
-	401055	-	Spring Bushing for Harrow Pull Piece - 5/8" ID	20
-	411562	-	Hex Bolt -- 5/8" x 2 1/2" NC - Gr 5 - Zinc(Sgl. Bracket to Reel Bar)	8
-	411565	-	Hex Bolt -- 5/8" x 3 1/2" NC - Gr 5 - Zinc(Dbl. Bracket to Reel Bar)	2
-	410009	-	Lock Nut -- 5/8" NC - Gr 2 - Zinc	10

HITCH ASSEMBLY



<u>ITEM NO.</u>	<u>PART NO.</u>	<u>WT. LBS.</u>	<u>DESCRIPTION</u>	<u>QTY. REQ'D FOR 1 HITCH</u>
1	301833	361	Wide Hitch -- Top Leveling Stacker	1
2	302014	25	5" Spacer Block -- Top Leveling Stacker	6
3	203960	5	Backing Plate -- Top Leveling Stacker	6
-	411604	1¼	Hex Bolt -- 3/4" x 10" NC - Gr 5 - Zinc	12
-	412012	-	Hex Nut -- 3/4" - 10 - Gr 2 - Zinc	12
-	413512	-	Lock Washer -- 3/4" - Zinc	12
4	203960	5	Backing Plate -- Top Leveling Stacker	6
-	411598	½	Hex Bolt -- 3/4" x 6-1/2" NC - Gr 5 - Zinc	12
-	412012	-	Hex Nut -- 3/4" - 10 - Gr 2 - Zinc	12
-	413512	-	Lock Washer -- 3/4" - Zinc	12
5	200876	3¾	Hardened Pull Pin -- 1-7/16" x 8-3/8" - Zinc	2
-	416207	-	Klik Pin -- 7/16" - Zinc	2
-	416133	-	Roll Pin -- 1/2" x 3-1/2" - Zinc	2
6	200853	2	Hardened Top Link Pin -- 1-1/4" - Zinc	1
-	416207	-	Klik Pin -- 7/16" - Zinc	1
-	416120	-	Roll Pin -- 3/8" x 2" - Zinc	1
7	301836	11	Top Connector - 5" Spacer Blocks - Hitch Assm.....	1
-	411594	¾	Hex Bolt -- 3/4" x 5" NC - Gr 5 - Zinc	1
8	415006	2	3/4" Sq. U-Bolt x 4" x 8-1/2" Leg - Gr 5	2
-	412012	-	Hex Nut -- 3/4" - 10 - Gr 2 - Zinc	4
-	413512	-	Lock Washer -- 3/4" - Zinc	4

RATCHET ADJ. GAUGE WHEELS



No. 1338

<u>Item No.</u>	<u>Part No.</u>	<u>Wt. Lbs.</u>	<u>Description</u>	<u>Qty. Req. for 1 Assembly</u>
1	302225	60	Holder - Gauge Wheel	1
2	203770	10	Backing Clamp for 7" Sq. Bar	1
3	411591	½	Hex Bolt -- 3/4" x 4" NC - Gr 5 - Zinc	4
-	412012	-	Hex Nut -- 3/4" - 10 - Gr 2 - Zinc	6
-	413512	-	Lock Washer -- 3/4" - Zinc	6
4	411591	½	Hex Bolt -- 3/4" x 4" NC - Gr 5 - Zinc	2
5	302025	11½	Ratchet Crank Assembly	1
6	302226	34¾	RH Leg w/Hub -- #1338 Gauge Wheel (Shown)	1
-	302227	34¾	LH Leg w/Hub -- #1338 Gauge Wheel	1
7	491119	11	5 Hole Hub Complete - Q-719	1
-	491007	9¾	Hub w/Cups Only - Q-719	1
-	481205	¼	Cone - Q809 & Q719 - LM67048	1
-	496010	-	Outer Cup - Q809 & Q719 - LM67010	1
-	481204	¼	Cone - Q809 & Q719 - LM48548	1
-	496011	-	Inner Cup - Q809 & Q719 - LM48510	1
-	497010	-	Grease Seal - Q719 - CR 15190	1
-	490006	¼	Hub Cap - Q809 & Q719	1
-	490015	-	1/2" NF Lug Nut	5
-	490017	-	Drive-In Hub Bolt - Q719	5
-	412164	-	Slotted Nut -- 7/8" - 14 Spindle	1
-	490034	-	Spindle Washer -- 7/8" - Q875/Q809/Q719	1
8	493007	17	15" x 5" x 5 Hole Wheel	1
9	411594	¾	Hex Bolt -- 3/4" x 5" NC - Gr 5 - Zinc	1
-	412012	-	Hex Nut -- 3/4" - 10 - Gr 2 - Zinc	1
-	413512	-	Lock Washer -- 3/4" - Zinc	1