

# W & A

## PARTS MANUAL



### 3 POINT PULVAMIZER

Model No. 3604 -- 4 Row



*Quality Products from*

**W & A MANUFACTURING COMPANY**

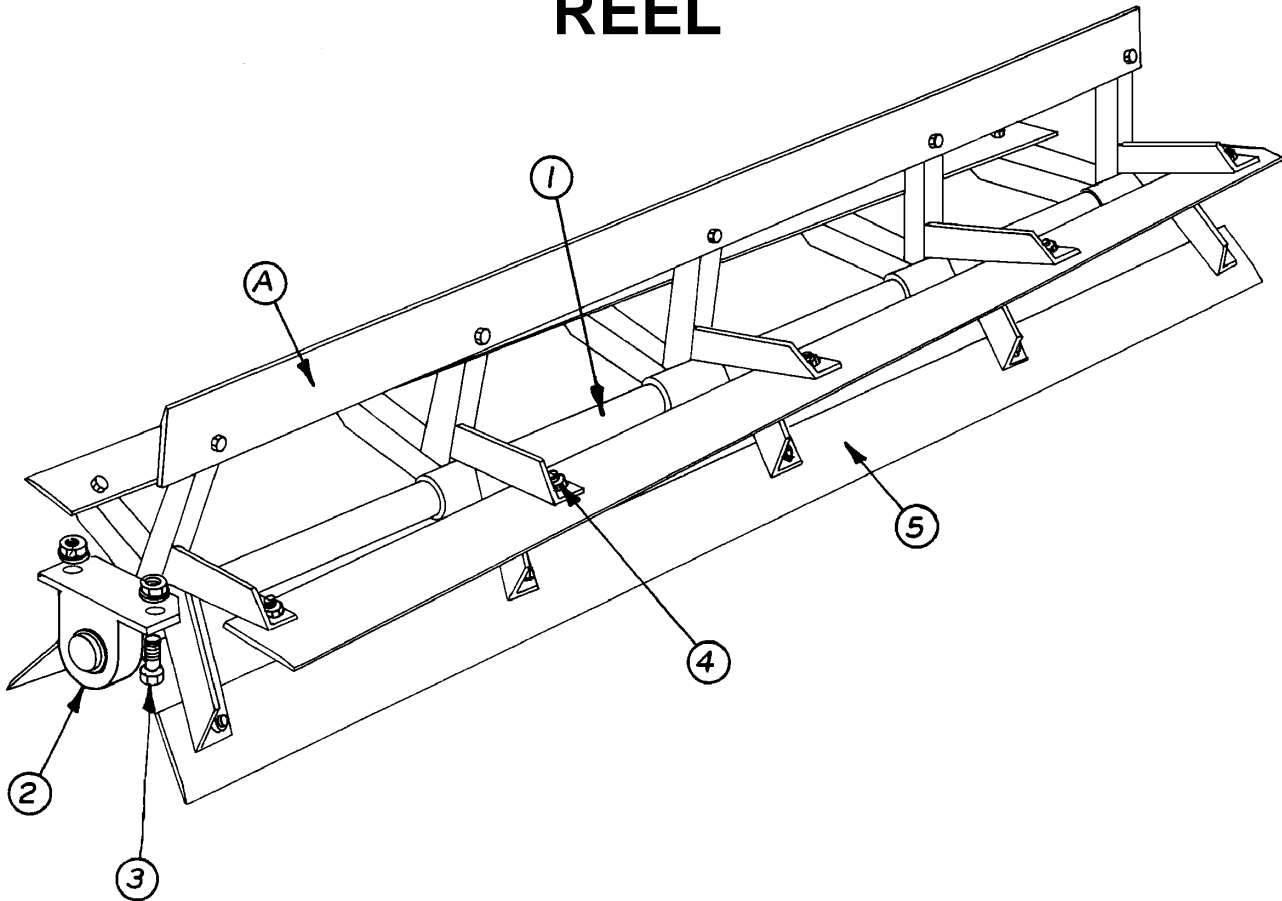
P.O. Box 5238, Pine Bluff, Arkansas 71611

Phone: (870) 534-7420

Fax: (800) 336-1318

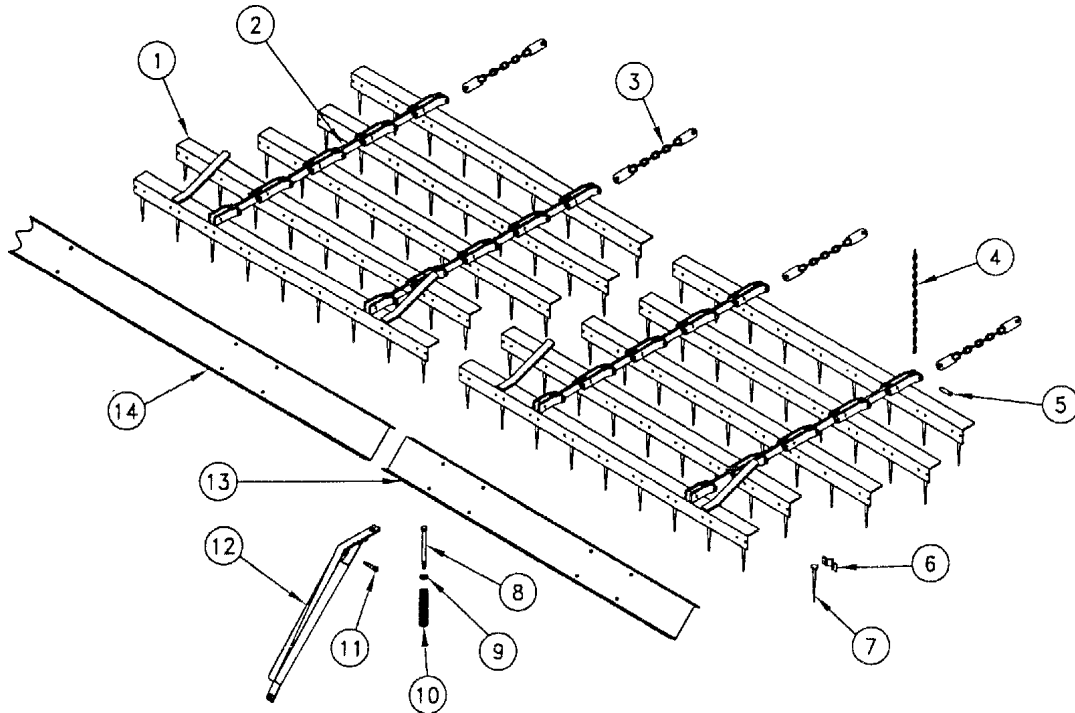
Website: [www.wamfgco.com](http://www.wamfgco.com)

# REEL



| ITEM NO. | PART NO. | WT. LBS. | DESCRIPTION   | QTY. REQ'D |
|----------|----------|----------|---|------------|
| A        | 770020   | 235      | Spiral 6 ft Reel Complete w/Bearings .....                  | 1          |
| 1        | 300451   | 116      | Spiral 77" Reel Shaft w/5 support brackets .....            | 1          |
| 2        | 482101   | 4        | 1-15/16" Pillow Block & Bearing Complete .....              | 2          |
| -        | 481215   | 1        | 1-15/16" Bearing w/Lock Collar.....#G1115-KRRB-S1115K ..... | 2          |
| -        | 480006   | 3        | Pillow Block for 1-15/16" Bearing .....                     | 2          |
| 3        | 411562   | ¼        | Hex Bolt -- 5/8" x 2½" NC - Gr 5 - Zinc .....               | 4          |
| -        | 410009   | -        | Lock Nut -- 5/8" NC - Gr 2 - Zinc .....                     | 4          |
| -        | 413010   | -        | Flat Washer -- 5/8" - Zinc.....                             | 4          |
| 4        | 411211   | ¼        | Hex Bolt -- 5/8" x 1¼" NC - Gr 2 - Zinc .....               | 25         |
| -        | 410009   | -        | Lock Nut -- 5/8" NC - Gr 2 - Zinc .....                     | 25         |
| 5        | 200539   | 20       | Spiral Pulvamer Blade x 72" .....                           | 5          |

# HARROWS & DRAGBOARDS



| <u>ITEM NO.</u> | <u>PART NO.</u> | <u>WT. LBS.</u> | <u>DESCRIPTION</u>                                       | <u>QTY. REQ'D</u> |
|-----------------|-----------------|-----------------|--|-------------------|
| 1               | 773018          | 250             | Complete 6' Harrow Section for N3P .....                 | 2                 |
| 2               | 773012          | 2               | Harrow Conn. Link w/Bushings - (7¾" Long) .....          | 16                |
| -               | 401055          | -               | Spring Bushing for Harrow Pull Piece - 5/8" ID .....     | -                 |
| 3               | 300583          | 3¾              | Pull Piece w/Bushings - N3P Harrow....(15 Link) .....    | 4                 |
| 4               | 402015          | 1               | High Test Chain -- 1/4" x 19 Link.....(Carburized) ..... | 8                 |
| -               | 416204          | -               | Klik Pin -- 1/4" - Zinc .....                            | 8                 |
| 5               | 416633          | ¼               | Clevis Pin Knurled & Threaded -- 5/8" x 2¼" - Zinc ..... | 40                |
| -               | 410009          | -               | Lock Nut -- 5/8" NC - Gr 2 - Zinc .....                  | 40                |
| 6               | 200550          | ½               | Harrow Tooth Bracket .....                               | 90                |
| -               | 411143          | -               | Hex Bolt -- 3/8" x 1¼" NC - Gr 2 - Zinc .....            | 180               |
| 7               | 472007          | -               | Harrow Tooth -- 5/8" x 7½" .....                         | 90                |
| 8               | 411237          | 1               | Hex Bolt -- 5/8" x 8" NC - Gr 2 - Zinc .....             | 3                 |
| -               | 410009          | -               | Lock Nut -- 5/8" NC - Gr 2 - Zinc .....                  | 3                 |
| 9               | 202350          | -               | Cup Washer for Spring .....                              | 3                 |
| 10              | 471006          | 1½              | Compression Spring.....(1½" OD x 6½") .....              | 3                 |
| 11              | 411551          | ¼               | Hex Bolt -- 1/2" x 3" NC - Gr 5 - Zinc .....             | 3                 |
| -               | 410008          | -               | Lock Nut -- 1/2" NC - Zinc .....                         | 3                 |
| 12              | 300388          | 17              | Dragboard Bracket (Pulv) .....                           | 3                 |
| -               | 411729          | -               | Carriage Bolt -- 1/2" x 1¼" NC - Gr 2 - Zinc .....       | 6                 |
| -               | 412008          | -               | Hex Nut -- 1/2" - 13 - Gr 2 - Zinc .....                 | 6                 |
| -               | 413508          | -               | Lock Washer -- 1/2" - Zinc .....                         | 6                 |
| 13              | 301491          | 71              | 13'0" Metal Dragboard .....                              | 1                 |

**USE ONLY**

**W & A REPLACEMENT PARTS**



**W & A Manufacturing Company**

**1810 Ohio Street                      P.O. Box 5238  
PINE BLUFF, ARKANSAS 71611**

**Phone (870) 534-7420**

**Fax (800) 336-1318**

***www.wamfgco.com***