

W & A

PARTS MANUAL



RIGID PULVAMIZER

Model No. 3504 -- 4 Row

Model No. 3544 -- 4 Row with S Tines



Quality Products from

W & A MANUFACTURING COMPANY

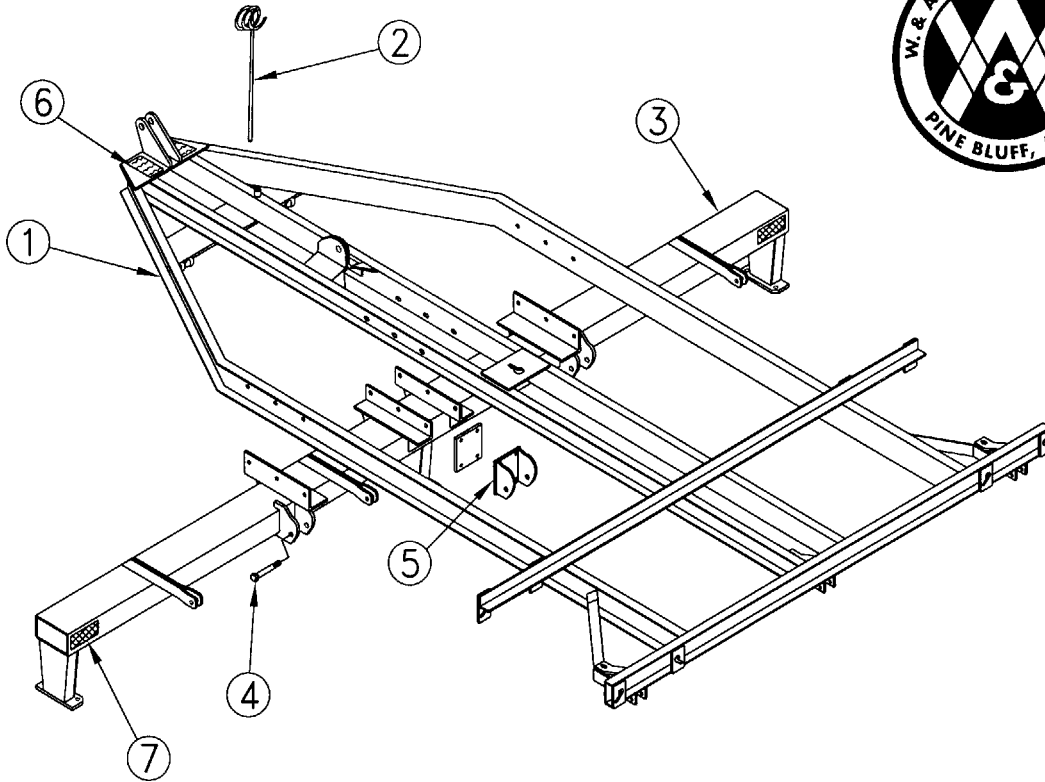
P.O. Box 5238, Pine Bluff, Arkansas 71611

Phone: (870) 534-7420

Fax: (800) 336-1318

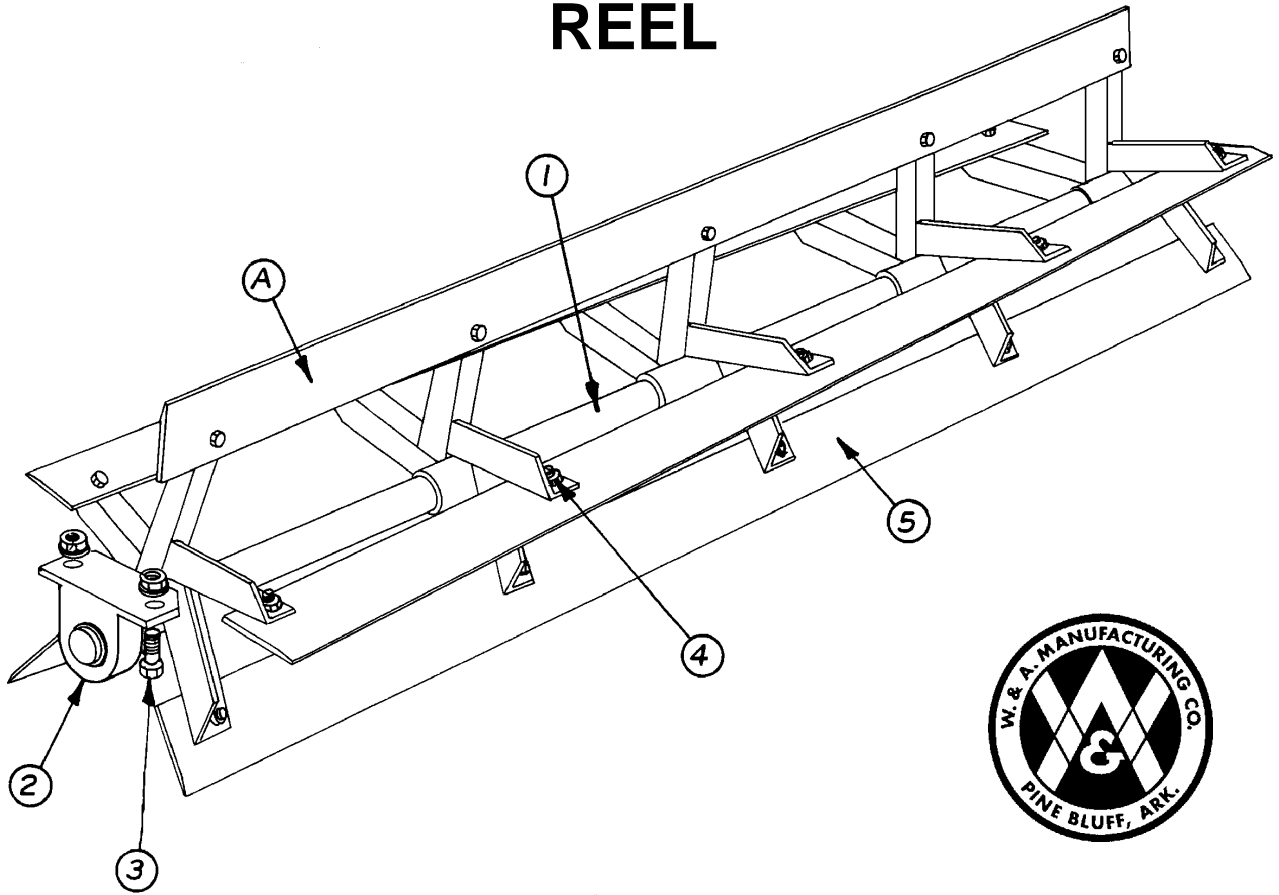
Website: www.wamfgco.com

FRAME



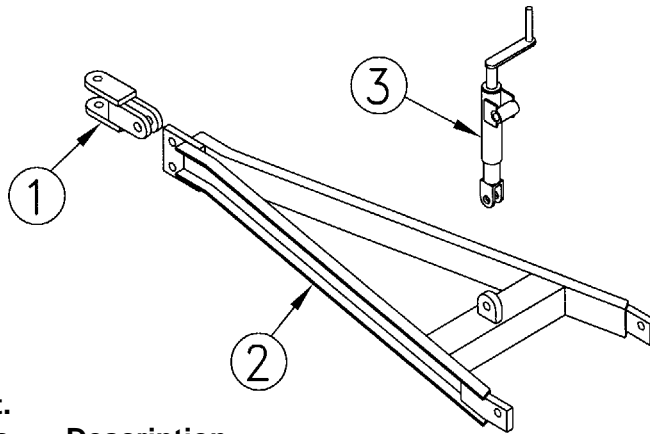
<u>Item No.</u>	<u>Part No.</u>	<u>Wt. Lbs.</u>	<u>Description</u>	<u>Qty. Req'd for 1 Machine</u>
1	300396	480	Main Frame -- 4N & 4ND	1
-	411060	-	Hex Bolt -- 5/8" - 18 x 2" - Gr 5 - Zinc	12
-	412010	-	Hex Nut -- 5/8" - 11 - Gr 2 - Zinc	12
-	413010	-	Flat Washer -- 5/8" - Zinc	12
-	413510	-	Lock Washer -- 5/8" - Zinc	12
-	416662	-	Clevis Pin -- 1" x 3 1/2" - Zinc	2
-	416309	-	Rue Ring Cotter Pin -- 1" - Zinc	2
2	200523	3	Hose Bracket -- 4N & 4ND	1
3	300410	315	Reel Frame -- 4N & 4ND	1
4	411594	1	Hex Bolt -- 3/4" x 5" NC - Gr 5 - Zinc	3
-	413512	-	Lock Washer -- 3/4" - Zinc	3
-	412012	-	Hex Nut -- 3/4" - 10 - Gr 2 - Zinc	3
5	300448	9	Attaching Bracket -- 4N & 4ND	1
-	200541	4 3/4	Backing Plate -- 4N & 4ND	1
-	411207	1/2	Hex Bolt -- 1/2" x 9" - Gr 2 - Zinc	4
-	412008	-	Hex Nut -- 1/2" - 13 - Gr 2 - Zinc	4
-	413508	-	Lock Washer -- 1/2" - Zinc	4
6	461123	-	Warning Decal -- Operator's Manual	1
-	461113	-	Warning Decal -- High Pressure Fluid	1
-	461138	-	Danger Decal -- Crushing Hazard	1
7	461201	-	Decal -- Red Reflector - 4 1/2" x 2"	2
-	461200	-	Decal -- Amber Reflector - 4 1/2" x 2".....(Front of Bar)	2

REEL



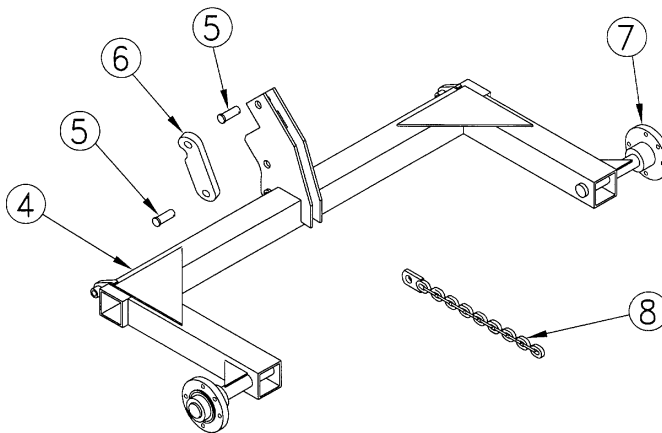
<u>Item No.</u>	<u>Part No.</u>	<u>Wt. Lbs.</u>	<u>Description</u>	<u>Qty. Req'd for 1 Machine</u>
A	770020	235	Spiral 6 ft Reel Complete w/Bearings	2
1	300451	116	Spiral 77" Reel Shaft w/5 support brackets	2
2	482101	4	1-15/16" Pillow Block & Bearing Complete	4
-	481215	1	1-15/16" Bearing w/Lock Collar.....#G1115-KRRB-S1115K	-
-	480006	3	Pillow Block for 1-15/16" Bearing	-
3	411562	¼	Hex Bolt -- 5/8" x 2½" NC - Gr 5 - Zinc	8
-	410009	-	Lock Nut -- 5/8" NC - Gr 2 - Zinc	8
-	413010	-	Flat Washer -- 5/8" - Zinc	8
4	411211	¼	Hex Bolt -- 5/8" x 1¼" NC - Gr 2 - Zinc	50
-	410009	-	Lock Nut -- 5/8" NC - Gr 2 - Zinc	50
5	200539	20	Spiral Pulv Blade x 72"	10

PULL TONGUE



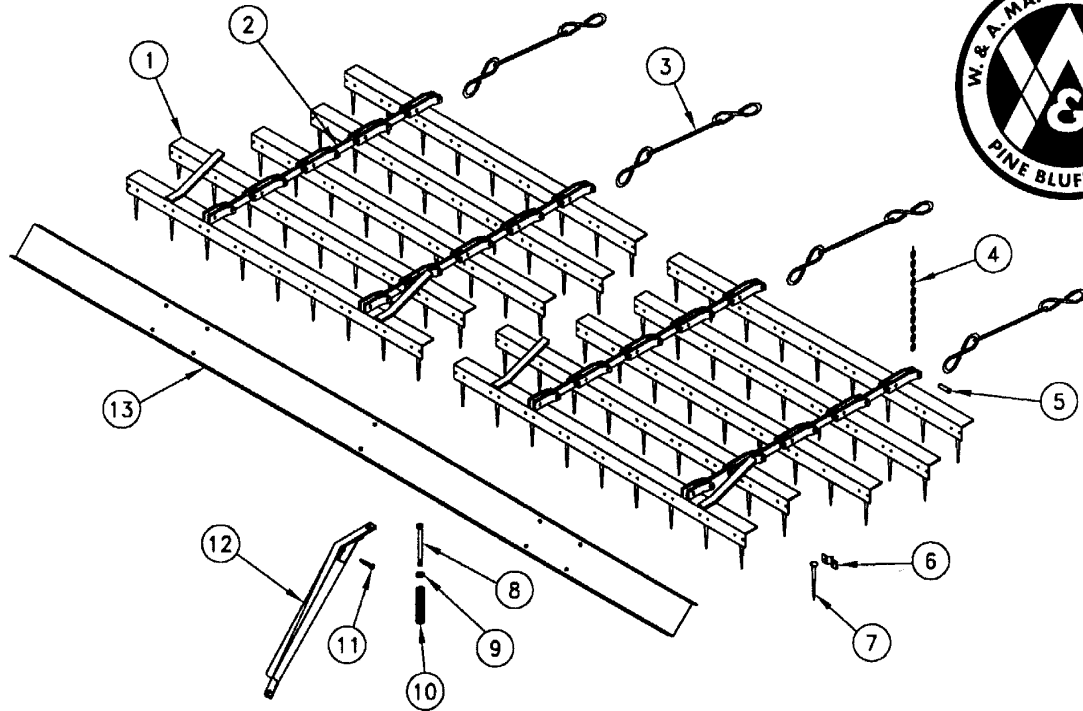
Item No.	Part No.	Wt. Lbs.	Description	Qty. Req'd for 1 Machine
1	300368	37	Pull Piece -- Pulv. Tongue	1
-	416662	½	Clevis Pin -- 1" x 3½" - Zinc	1
-	416309	-	Rue Ring Cotter Pin -- 1" - Zinc	3
2	300364	120	Pull Tongue -- 6' Pulv.	1
3	505578	16	Crank Assembly -- Pulv.	1
-	300500	12½	Top Half Crank -- Pulv.	1
-	300502	3½	Lower Half Crank -- Pulv.	1
-	416659	½	Clevis Pin -- 1" x 2-21/32" - Zinc	1
-	416666	½	Clevis Pin -- 1" x 4½" - Zinc	1

LIFT FRAME



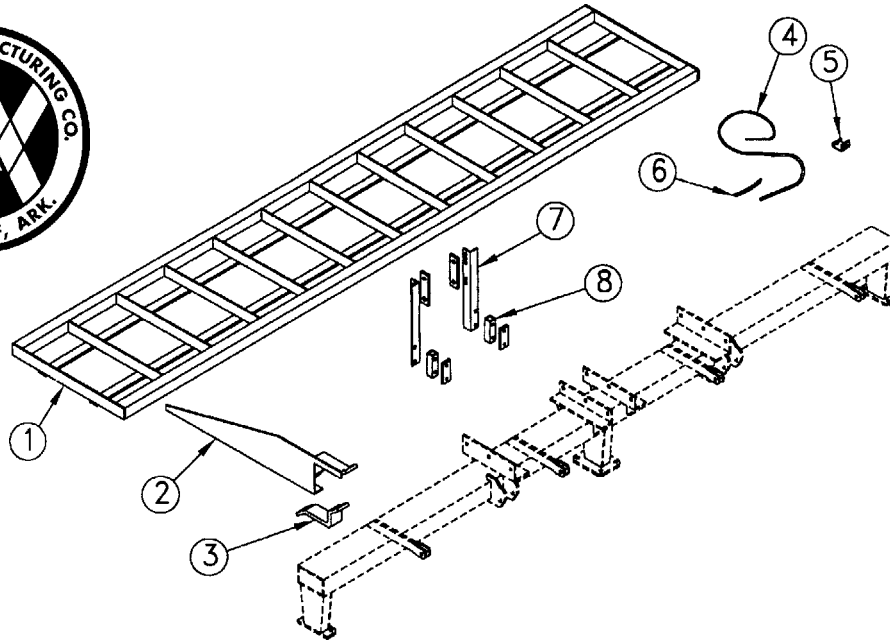
4	300429	201	Lift Frame w/Hubs -- 4N & 4ND	1
5	416659	½	Clevis Pin -- 1" x 2-21/32" - Zinc	2
-	416309	-	Rue Ring Cotter Pin -- 1" - Zinc	2
6	201059	8	Floating Arm -- 4N & 4ND	1
7	491108	11½	6 Hole Hub Complete -- Q-809	2
-	481204	¼	Cone - Q-809 & Q719 - LM48548	2
-	481205	¼	Cone - Q-809 & Q719 - LM67048	2
-	490019	-	Hub Bolt -- 1/2" NF - Q809	6
-	490006	-	Hub Cap -- Q-809 & Q-719	2
-	787200	-	2 Pc Grease Seal (w/Wear Ring) - Q-809	2
-	492014	8	Spindle -- 1-3/4" x 13-7/8"....(Weld-On)	2
-	491009	-	Hub with Cups Only -- Q809	2
8	300466	2	Travel Lock	1

HARROW & DRAGBOARD



Item No.	Part No.	Wt. Lbs.	Description	Qty. Req'd for 1 Machine
1	505500	250	Complete 45 Tooth Harrow Asmb w/30" Chains – 4N & 4ND	2
2	773012	2	Connecting Link w/Bushings -- 7¾" long	16
3	300476	7	Pull Link -- Pulv Harrow	4
4	402016	1	Chain -- 1/4" x 30 Link	8
-	400019	-	1/4" x 1¼" Lap Link - Zinc	8
-	411512	-	Hex Bolt -- 3/8" x 2½" NC - Gr 5 - Zinc	8
-	412006	-	Hex Nut -- 3/8" NC - 16 - Gr 2 - Zinc	8
-	413506	-	Lock Washer -- 3/8" - Zinc	8
5	416633	¼	Clevis Pin Knurled & Threaded -- 5/8" x 2¼" - Zinc	36
-	410009	-	Lock Nut -- 5/8" NC - Gr 2 - Zinc	36
6	200550	½	Harrow Tooth Bracket (Pulv)	90
-	411143	-	Hex Bolt -- 3/8" x 1¼" NC - Gr 2 - Zinc	180
7	472007	½	Harrow Tooth -- 5/8" x 7½"	90
8	411237	1	Hex Bolt -- 5/8" x 8" NC - Gr 2 - Zinc	3
-	410009	-	Lock Nut -- 5/8" NC - Gr 2 - Zinc	3
9	202350	-	Cup Washer for Spring	3
10	471006	1½	Compression Spring..... (1-1/2" OD x 6½")	3
11	411551	¼	Hex Bolt -- 1/2" x 3" NC - Gr 5 - Zinc	3
-	410008	-	Lock Nut -- 1/2" NC - Zinc	3
12	300388	17	Dragboard Bracket (Pulv)	3
-	411729	-	Carriage Bolt -- 1/2" x 1¼" NC - Gr 2 - Zinc	6
-	412008	-	Hex Nut -- 1/2" - 13 - Gr 2 - Zinc	6
-	413508	-	Lock Washer -- 1/2" - Zinc	6
13	301491	71	13'0" Metal Dragboard.....	1

TINE FRAME FOR DUAL MACHINE



Item No.	Part No.	Wt. Lbs.	Description	Qty. Req'd for 1 Machine
1	300826	250	13 Ft. Tine Frame -- 4ND	1
2	300833	30	Holder Bracket -- 4ND	4
-	415108	½	1/2" U-Bolt x 2½" x 4" Leg - Grade 5	8
-	412008	-	Hex Nut -- 1/2" - 13 - Gr 2 - Zinc	16
-	413508	-	Lock Washer -- 1/2" - Zinc	16
3	407012	8	Backing Clamp 4 x 7 Bar -- 3/4"	4
-	411565	½	Hex Bolt -- 5/8" x 3½" NC - Gr 5 - Zinc	16
-	412010	-	Hex Nut -- 5/8" - 11 - Gr 2 - Zinc	16
-	413510	-	Lock Washer -- 5/8" - Zinc	16
4	471031	5	Spring Tine Only	24
5	471035	½	Clamp Only for Balk Buster -- (1/2" x 2" Flat Bar)	24
-	411546	-	Hex Bolt -- 1/2" x 1¾" NC - Gr 5 - Zinc	24
-	410008	-	Lock Nut -- 1/2" NC - Zinc	24
6	474052	½	Rev Share -- 1/4" x 1¼" x 7"	24
-	411826	-	Plow Bolt -- 3/8" x 1½" - Elliptical Head	24
-	412006	-	Hex Nut -- 3/8" NC - 16 - Gr 2 - Zinc	24
-	413506	-	Lock Washer -- 3/8" - Zinc	24
7	201739	4½	Attaching Angle -- RH - 4ND	1
-	200274	4½	Attaching Angle -- LH - 4ND	1
-	202100	1½	Backing Clamp - 4ND.....(1/2" x 2" x 7")	2
-	411565	½	Hex Bolt -- 5/8" x 3½" NC - Gr 5 - Zinc	4
-	412010	-	Hex Nut -- 5/8" - 11 - Gr 2 - Zinc	4
-	413510	-	Lock Washer -- 5/8" - Zinc	4
8	202462	1½	Spacer Tube - 4ND	2
-	200277	1	Backing Clamp - 4ND.....(1/2" x 2" x 4-3/8")	2
-	411200	½	Hex Bolt -- 1/2" x 6" NC - Gr 2 - Zinc	4
-	412008	-	Hex Nut -- 1/2" - 13 - Gr 2 - Zinc	4
-	413508	-	Lock Washer -- 1/2" - Zinc	4

NOTES

USE ONLY

W & A REPLACEMENT PARTS



W & A Manufacturing Company

1810 Ohio Street P.O. Box 5238
PINE BLUFF, ARKANSAS 71611

Phone (870) 534-7420

Fax (800) 336-1318

www.wamfgco.com