

W & A

PARTS MANUAL



STACKING BED MAKER

Model No. 1742 -- 16 @ 30" Row



Quality Products from

W & A MANUFACTURING COMPANY

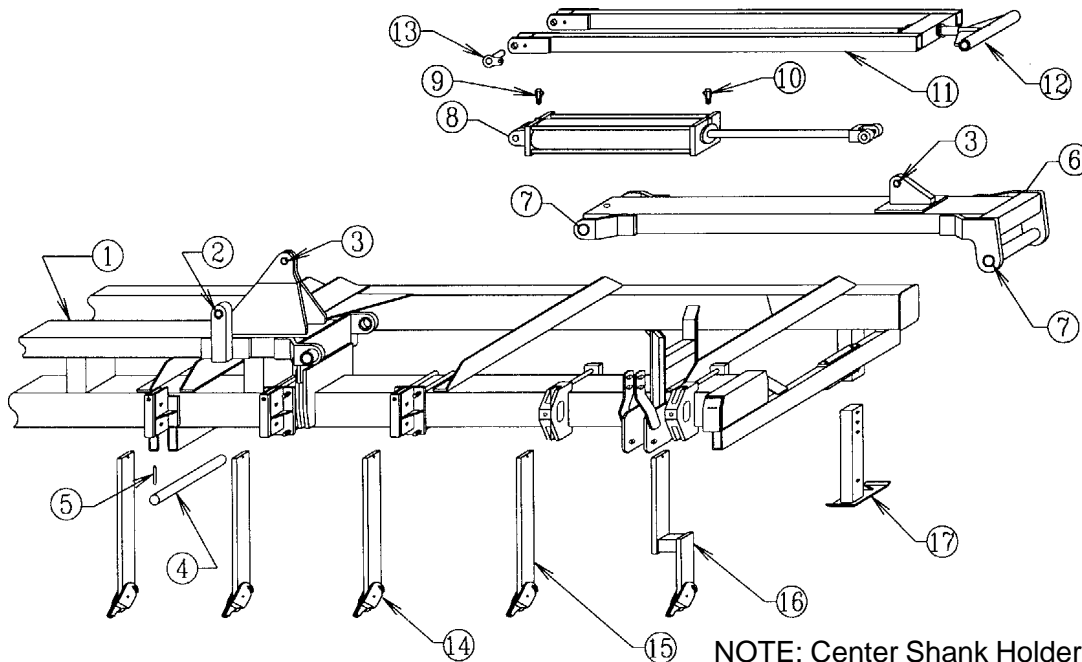
P.O. Box 5238, Pine Bluff, Arkansas 71611

Phone: (870) 534-7420

Fax: (800) 336-1318

Website: www.wamfgco.com

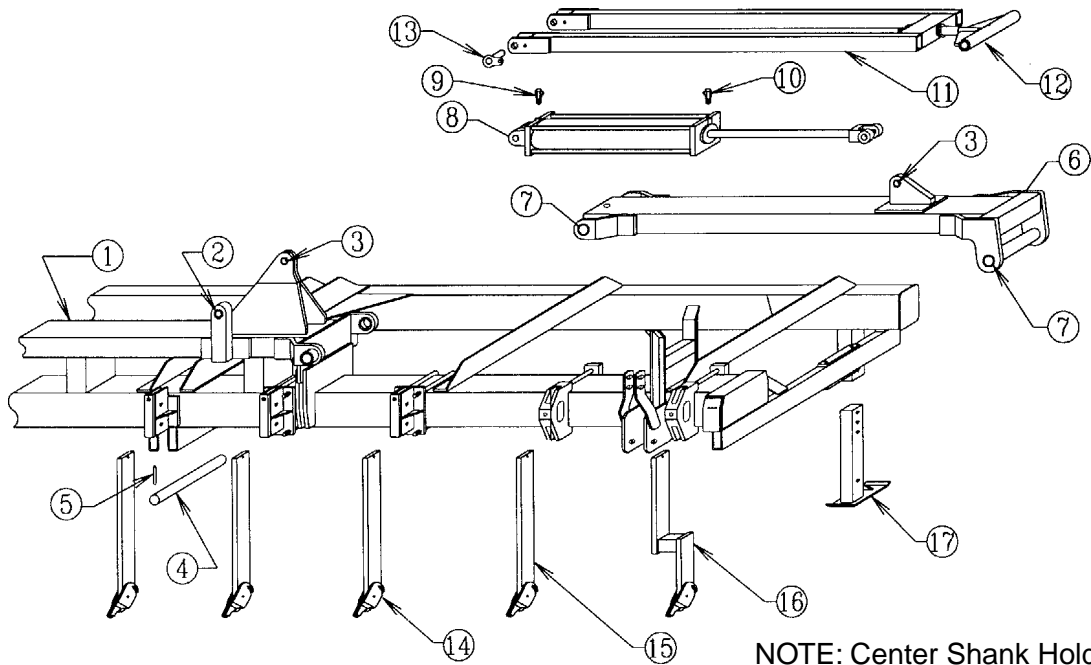
CENTER SECTION



NOTE: Center Shank Holder weld-on,
others use bolt-on shank holders

Item No.	Part No.	Wt. Lbs.	Description	Qty. Req'd for One Machine
1	302042	2160	Center Section - 16 @ 30" Row	1
2	401084	¼	Form 1 Bushing -- 1½" OD x ¼" ID x 1½" Long	4
3	401080	¼	Form 1 Bushing -- 1½" OD x ¼" ID x 1" Long	4
4	203948	14¼	2" Pivot Pin x 16¼"	2
-	413124	-	Machine Washer -- 3" OD x 2" ID x 10 Ga	4
5	416133	-	Roll Pin -- 1/2" x 3½" - Zinc	2
6	301802	265	Power Arm -- Top Leveling Stacker	2
7	401118	½	Bushing -- 2.376" OD x 2.006" ID x 2" Long	8
-	450004	-	1/4" Drive-in Grease Fitting	4
8	476029	126	Hydraulic Cylinder -- 5" x 30" (w/Pins)	2
-	477056	-	Seal Kit -- 5" x 24" & 5" x 30" Lion Cyl. - 2" Rod	-
9	446188	¼	1/2" x 1/2" Swivel Orifice Elbow	2
10	446188	¼	1/2" x 1/2" Swivel Orifice Elbow	2
-	785103	½	3/8" Hydraulic Hose x 103"	2
-	785120	½	3/8" Hydraulic Hose x 120"	2

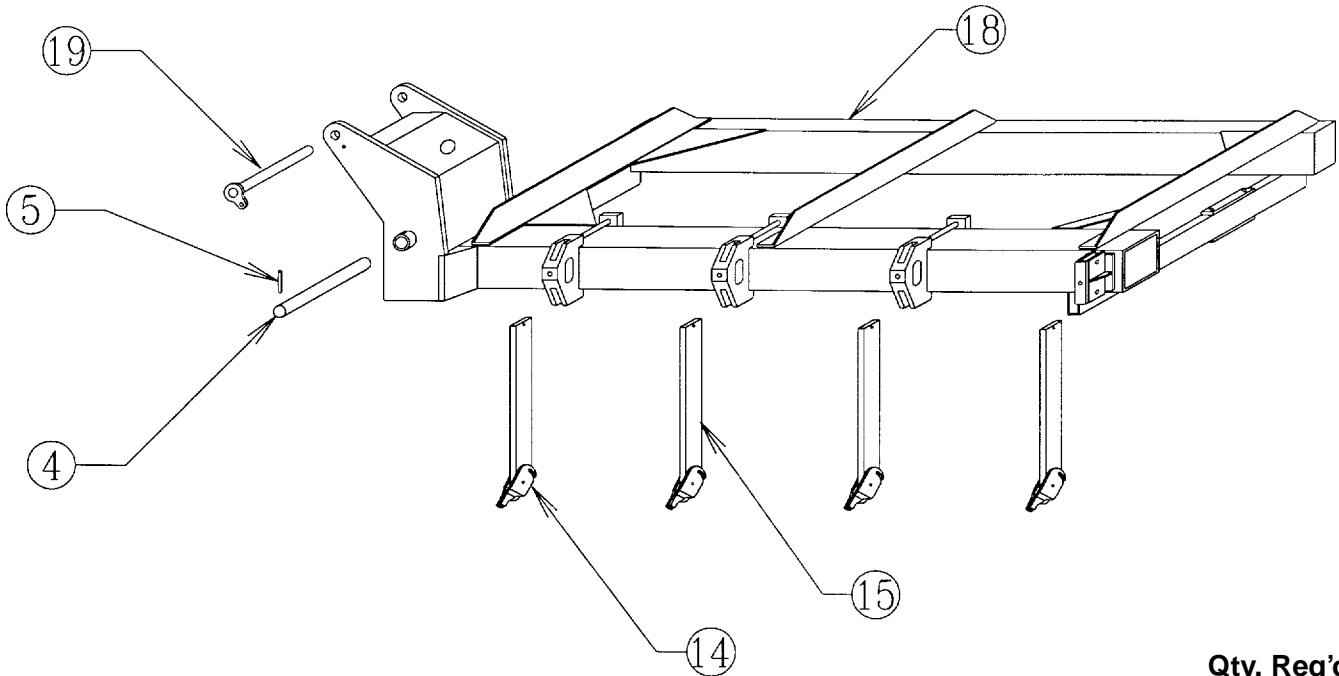
CENTER SECTION (Continued)



NOTE: Center Shank Holder weld-on,
others use bolt-on shank holders

<u>Item No.</u>	<u>Part No.</u>	<u>Wt. Lbs.</u>	<u>Description</u>	<u>Qty. Req'd for One Machine</u>
11	301820	88	Leveling Arm -- For 1½" Dia. Rod	2
12	301819	19¾	Leveling Arm End with Lock Nut – 1½" Dia.Rod	2
-	410032	1	Lock Nut -- 1½" NF Top Lock - Zinc	2
-	412024	¾	Hex Nut -- 1½" - 6 - Gr 2 - Zinc	2
-	413120	-	Machine Washer -- 2¼" OD x 1½" ID x 10 Ga	2
-	450004	-	1/4" Drive-in Grease Fitting	2
-	401095	-	Form 1 Bushing -- 1-7/8" OD x 1½" ID x 1"Long.....	4
13	301824	1¾	Small Pin -- 1¼" x 2½" Stacker Bar	4
-	411545	-	Hex Bolt -- 1/2" x 1½" NC - Gr 5 - Zinc	4
-	413008	-	Flat Washer -- 1/2" - Zinc	4
-	413508	-	Lock Washer -- 1/2" - Zinc	4
14	479075	6½	Friction Trip Foot (See Page 6)	
15	204210	25	Vertical Shank C1080 (See Page 6)	
16	302001	29	5" Offset Shank – LH (See Page 6)	
17	302004	14½	Parking Stand	2
-	416230	¾	3/4" Safety Lock Pin x 5½" OAL - Zinc	2

WING



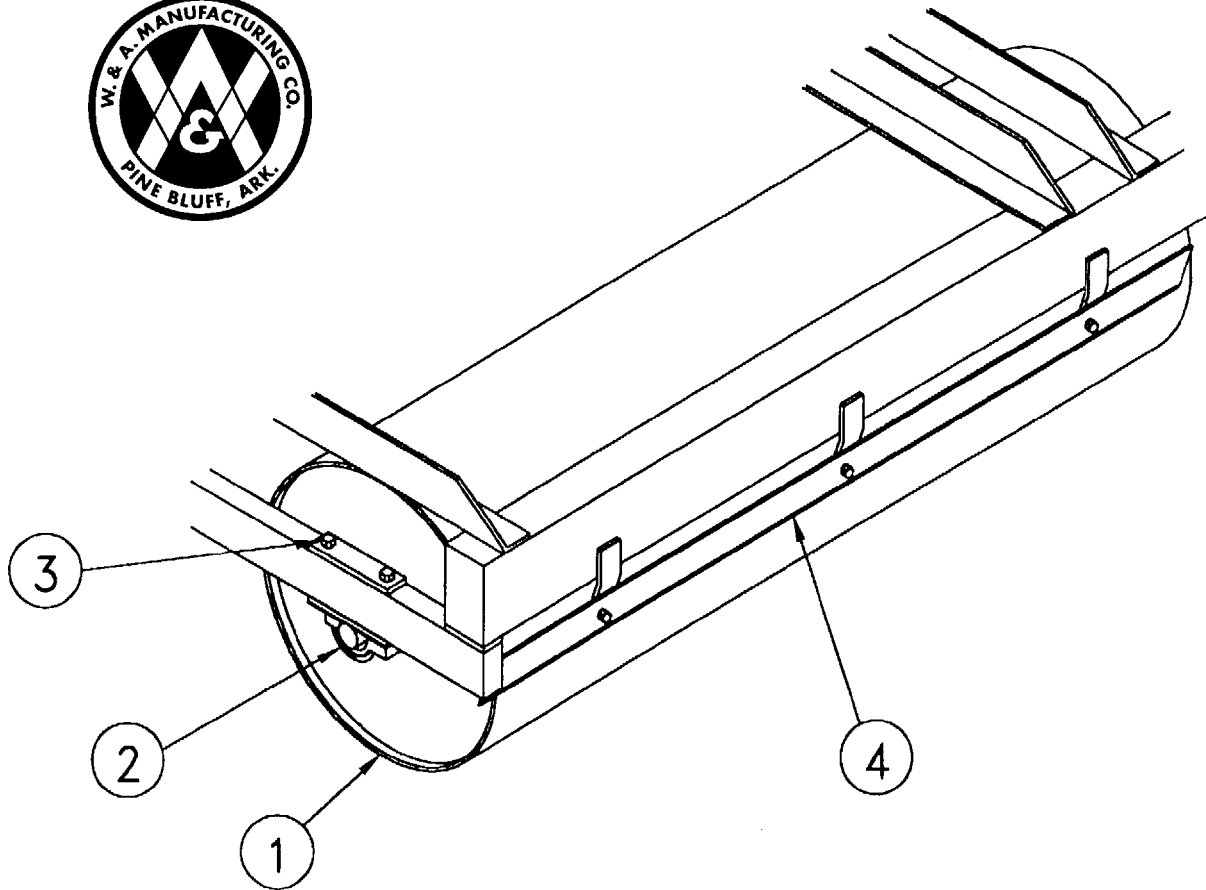
Item No.	Part No.	Wt. Lbs.	Description	Qty. Req'd for One Machine
4	203948	14¼	2" Pivot Pin x 16¼"	2
-	413124	-	Machine Washer -- 3" OD x 2" ID x 10 Ga	4
5	416133	-	Roll Pin -- 1/2" x 3½" - Zinc	2
14	479075	6½	Friction Trip Foot (See Page 6)	
15	204210	25	Vertical Shank C1080 (See Page 6)	
18	302044	964	Wing – LH - 16 @ 30" Row (Shown)	1
-	302043	964	Wing – RH - 16 @ 30" Row	1
19	301825	8	Top Pin -- Top Leveling Stacker	2
-	411545	-	Hex Bolt -- 1/2" x 1½" NC - Gr 5 - Zinc	2
-	413008	-	Flat Washer -- 1/2" - Zinc	2
-	413508	-	Lock Washer -- 1/2" - Zinc	2

USE ONLY



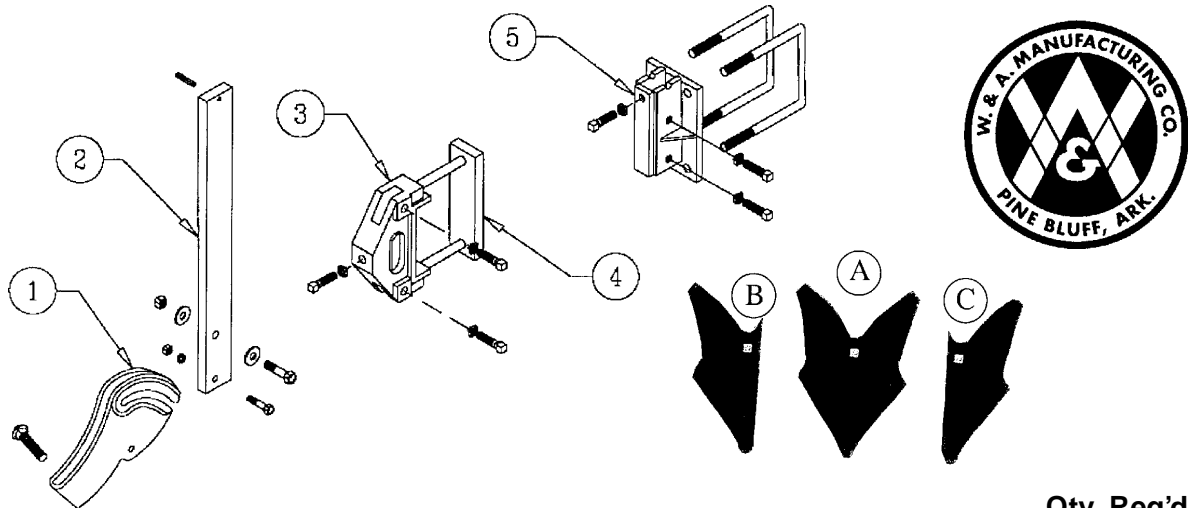
W & A REPLACEMENT PARTS

ROLLER



<u>Item No.</u>	<u>Part No.</u>	<u>Wt. Lbs.</u>	<u>Description</u>	<u>Qty. Req'd for One Machine</u>
1	302039	1020	113" Roller -- 16 @ 30" Row Bed Maker	4
2	482101	4	1-15/16" Pillow Block & Bearing Complete	8
-	481215	1	1-15/16" Bearing w/Lock Collar.....#G115-KRRB-S1115K	-
-	480006	3	Pillow Block for 1-15/16" Bearing	-
3	411573	¾	Hex Bolt -- 5/8" x 7" NC - Gr 5 - Zinc	16
-	413010	-	Flat Washer -- 5/8" - Zinc	16
-	410009	-	Lock Nut -- 5/8" NC - Gr 2 - Zinc	16
4	204281	32	Scraper 113" -- 16 @ 30" Row Bed Maker	4
-	411785	-	Carriage Bolt -- 1/2" x 1½" NC - Gr 5 - Zinc	16
-	413508	-	Lock Washer -- 1/2" - Zinc	16
-	412008	-	Hex Nut -- 1/2" - 13 - Gr 2 - Zinc	16

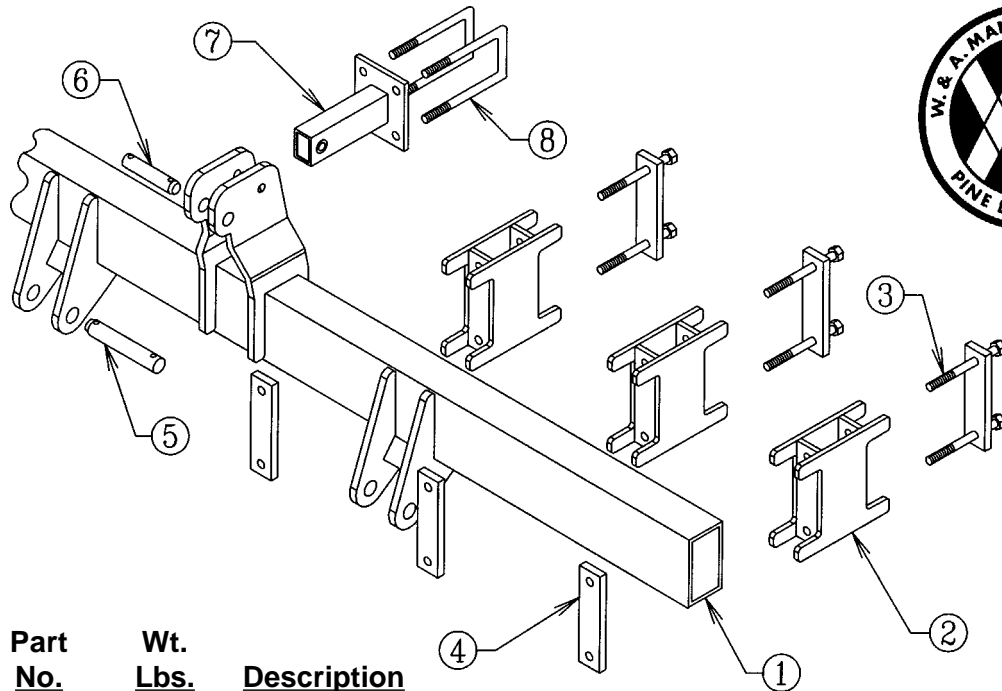
BOLT-ON SHANK HOLDERS



Item No.	Part No.	Wt. Lbs.	Description	Qty. Req'd for One Machine
1	479075	6½	Friction Trip Foot	17
-	411549	-	Hex Bolt -- 1/2" x 2½" NC - Gr 5 - Zinc	17
-	411563	½	Hex Bolt -- 5/8" x 3" NC - Gr 5 - Zinc	17
-	411794	½	Carriage Bolt -- 3/4" x 3½" NC - Gr 5 - Zinc	17
-	410009	-	Lock Nut -- 5/8" NC - Gr 2 - Zinc	17
-	410012	-	Lock Nut -- 3/4" NC - Gr 2 - Zinc	17
-	412008	-	Hex Nut -- 1/2" - 13 - Gr 2 - Zinc	17
-	413056	-	Flat Washer, Heavy -- 5/8" - Zinc	24
-	413058	-	Flat Washer, Heavy -- 3/4" - Zinc	17
-	413508	-	Lock Washer -- 1/2" - Zinc	17
2	204210	25	Vertical Shank C1080	15
-	416120	-	Roll Pin -- 3/8" x 2" - Zinc	17
3	479069	13½	Bolt-On Shank Holder - 7" Tool Bar	10
-	414828	-	Square Head Set Screw -- 5/8" x 1¾"	30
-	412310	-	Square Nut -- 5/8" - 11 - Gr 2 - Zinc	30
-	412410	-	Jam Nut -- 5/8" - 11 - Gr 2 - Zinc	30
4	204274	9	Backing Plate for Bolt-on Shank Holder - 7"	10
-	411601	1¼	Hex Bolt -- 3/4" x 8-1/2" NC - Gr. 5 - Zinc	20
-	412012	-	Hex Nut -- 3/4" - 10 - Gr 2 - Zinc	36
-	413512	-	Lock Washer -- 3/4" - Zinc	36
5	302036	19½	Center Bolt-On Shank Holder	4
-	414828	-	Square Head Set Screw -- 5/8" x 1¾"	18
-	412410	-	Jam Nut -- 5/8" - 11 - Gr 2 - Zinc	18
-	415004	2½	3/4" Sq. U-Bolt x 7" x 9" Leg	8
6	302001	29	5" Offset Shank – LH (Shown)	1
N/I	302000	29	5" Offset Shank – RH	1
A	474031	7¼	#11N Furrower.....(11" Top Width)	15
N/I	474032	12¼	#12 Furrower.....(15" Top Width)	-
B	204215		#11N End Furrower -- RH	1
C	204216		#11N End Furrower -- LH	1

NOTE: On 16@ 30" Row Bed Maker -- THREE Shank Holders are welded on frame.

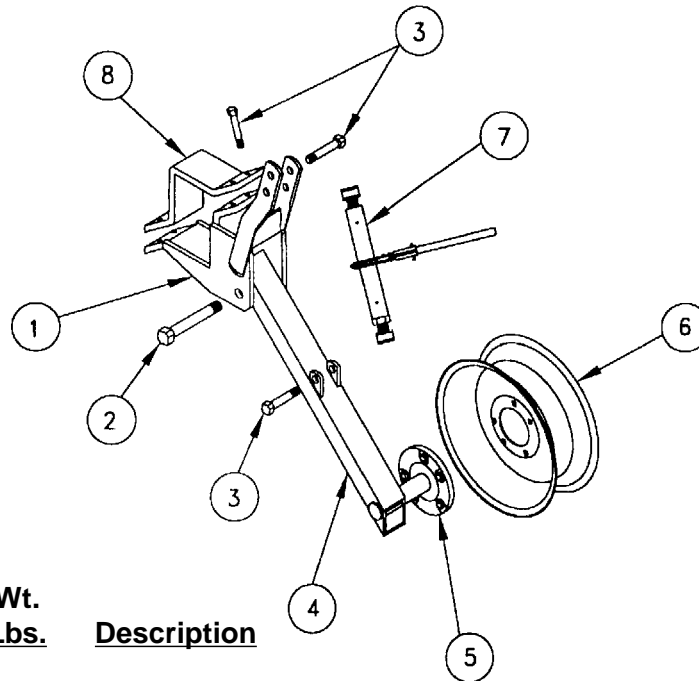
HITCH ASSEMBLY



<u>Item No.</u>	<u>Part No.</u>	<u>Wt. Lbs.</u>	<u>Description</u>	<u>Qty. Req'd for One Hitch</u>
1	301833	361	Wide Hitch -- Top Leveling Stacker	1
2	302014	25	5" Spacer Block -- Top Leveling Stacker	6
3	203960	5	Backing Plate -- Top Leveling Stacker	6
-	411604	1¼	Hex Bolt -- ¾" x 10" NC - Gr 5 - Zinc	12
-	412012	-	Hex Nut -- ¾" - 10 - Gr 2 - Zinc	12
-	413512	-	Lock Washer -- ¾" - Zinc	12
4	203960	5	Backing Plate -- Top Leveling Stacker	6
-	411598	½	Hex Bolt -- ¾" x 6½" NC - Gr 5 - Zinc	12
-	412012	-	Hex Nut -- ¾" - 10 - Gr 2 - Zinc	12
-	413512	-	Lock Washer -- ¾" - Zinc	12
5	200876	3¾	Hardened Pull Pin -- 1-7/16" x 8-3/8" - Zinc	2
-	416207	-	Klik Pin -- 7/16" - Zinc	2
-	416133	-	Roll Pin -- 1/2" x 3½" - Zinc	2
6	200853	2	Hardened Top Link Pin -- 1¼" - Zinc	1
-	416207	-	Klik Pin -- 7/16" - Zinc	1
-	416120	-	Roll Pin -- 3/8" x 2" - Zinc	1
7	301836	11	Top Connector -- 5" Spacer - Hitch Assm	1
-	411594	¾	Hex Bolt -- ¾" x 5" NC - Gr 5 - Zinc	1
-	412012	-	Hex Nut -- ¾" - 10 - Gr 2 - Zinc	1
-	413512	-	Lock Washer -- ¾" - Zinc	1
8	415006	2	¾" Sq. U-Bolt x 4" x 8½" Leg	2
-	412012	-	Hex Nut -- ¾" - 10 - Gr 2 - Zinc	4
-	413512	-	Lock Washer -- ¾" - Zinc	4

7 x 7 BAR GAUGE WHEEL

FOR ROLLING BED MAKER AND HIGH CLEAR CULTIVATOR



**No. 1320
& No. 1321***

*Used on Bed
Maker center
section with
weld-on holder.

<u>Item No.</u>	<u>Part No.</u>	<u>Wt. Lbs.</u>	<u>Description</u>	<u>Qty. Req'd for One Assembly</u>
1	302020	35¼	Holder - Gauge Wheel	1
2	411598	1	Hex Bolt -- 1" x 6½" NC - Gr 5 - Zinc	1
-	412016	-	Hex Nut -- 1" - 8 - Gr 2 - Zinc	1
-	413516	-	Lock Washer -- 1" - Zinc	1
3	411591	½	Hex Bolt -- ¾" x 4" NC - Gr 5 - Zinc	6
-	412012	-	Hex Nut -- ¾" - 10 - Gr 2 - Zinc	6
-	413512	-	Lock Washer -- ¾" - Zinc	6
4	302022	42½	LH Leg w/Hub - #1320 Gauge Wheel (Shown)	1
-	302021	42½	RH Leg w/Hub - #1320 Gauge Wheel	1
-	302024	50	Offset Leg LH w/Spind & Hub (1321 Ga Wh).....Not Illustrated	1
-	302023	50	Offset Leg RH w/Spind & Hub (1321 Ga Wh).....Not Illustrated	1
5	491119	10	5 Hole Hub Complete - Q-719	1
-	491007	9¾	Hub w/Cups Only - Q-719	1
-	481205	¼	Cone - Q809 & Q719 - LM67048	1
-	496010	-	Outer Cup - Q809 & Q719 - LM67010	1
-	481204	¼	Cone - Q809 & Q719 - LM48548	1
-	496011	-	Inner Cup - Q809 & Q719 - LM48510	1
-	497010	-	Grease Seal - Q719 - CR 15190	1
-	490006	¼	Hub Cap - Q809 & Q719	1
-	490015	-	1/2" NF Lug Nut	5
-	490017	-	Drive-In Hub Bolt - Q719	5
-	412164	-	Slotted Nut -- 7/8" - 14 Spindle	1
-	490034	-	Spindle Washer -- 7/8" - Q875/Q809/Q719	1
6	493007	17	15" x 5" x 5 Hole Wheel	1
7	302025	11½	Ratchet Crank Assembly	1
8	204242	13½	Backing Plate -- Bed Maker Gauge Wheel	1