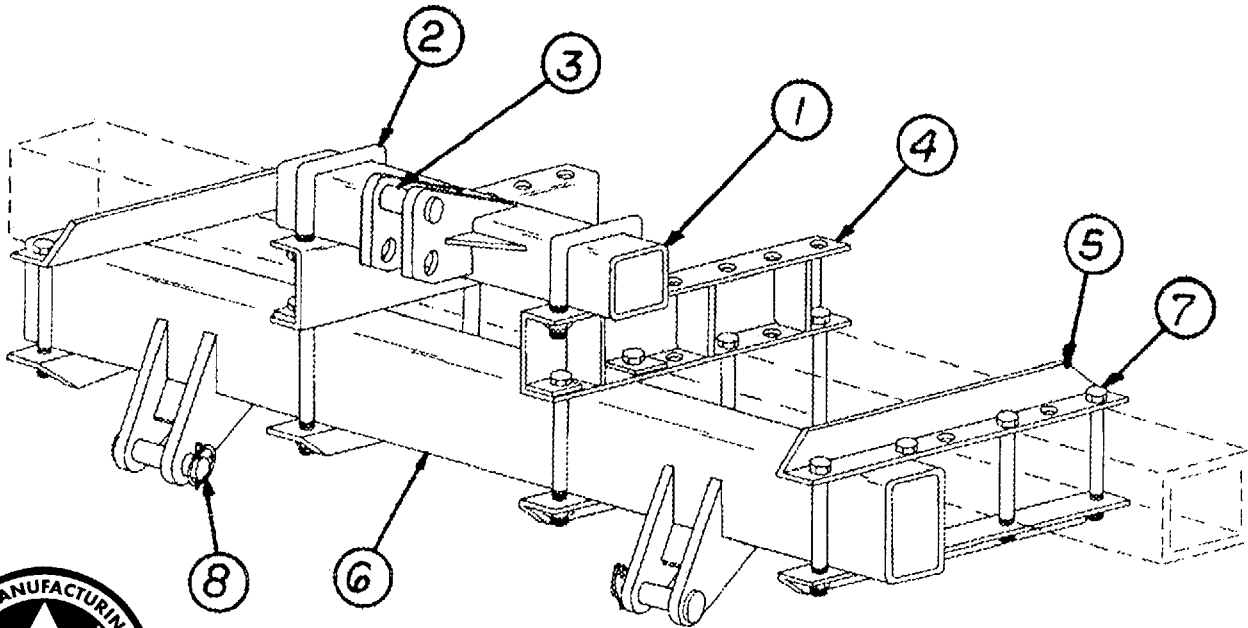


WIDE CAT III HITCH FOR 7" SQ. BAR



Cat. III Standard & Quick Hitch

No. 1442
No. 1443
No. 1444

Item No.	Part No.	Wt. Lbs.	Description	Qty. Required		
				1442	1443	1444
1	300279	47½	Mast Top – Cat III - Hitch	1	1	1
2	415018	2	7/8" Sq. U-Bolt x 4" x 6½" Leg	2	2	2
-	413514	-	Lock Washer -- 7/8" - Zinc	28	36	28
-	412014	-	Hex Nut -- 7/8" - 9 - Gr 2 - Zinc	28	36	28
3	416698	1	1¼" Top Link Pin - Zinc.....(6½")	1	1	1
-	416207	1	Klik Pin -- 7/16" - Zinc	1	1	1
4	301037	26½	Mast Side - Hitch	2	2	2
5	201601	15¼	Angle Support - RH - Hitch	5	7	5
-	201602	15¼	Angle Support - LH - Hitch	5	7	5
6	301047	416	Pull Piece Bracket - Cat III.....(3/8" Wall x 190") ..	1	-	-
-	301369	525	Pull Piece Bracket - Cat III Narrow..(1/2" Wall x 190") ..	-	1	-
-	301373	429	Pull Piece Bracket - Cat III.....(3/8" Wall x 196") ..	-	-	1
7	411294	1¾	Hex Bolt -- 7/8" x 10" NC - Gr 2 - Zinc.....	24	32	24
8	300837	2¾	Pull Pin -- 1-7/16" x 6"	2	2	2
-	416207	1	Klik Pin -- 7/16" - Zinc	2	2	2