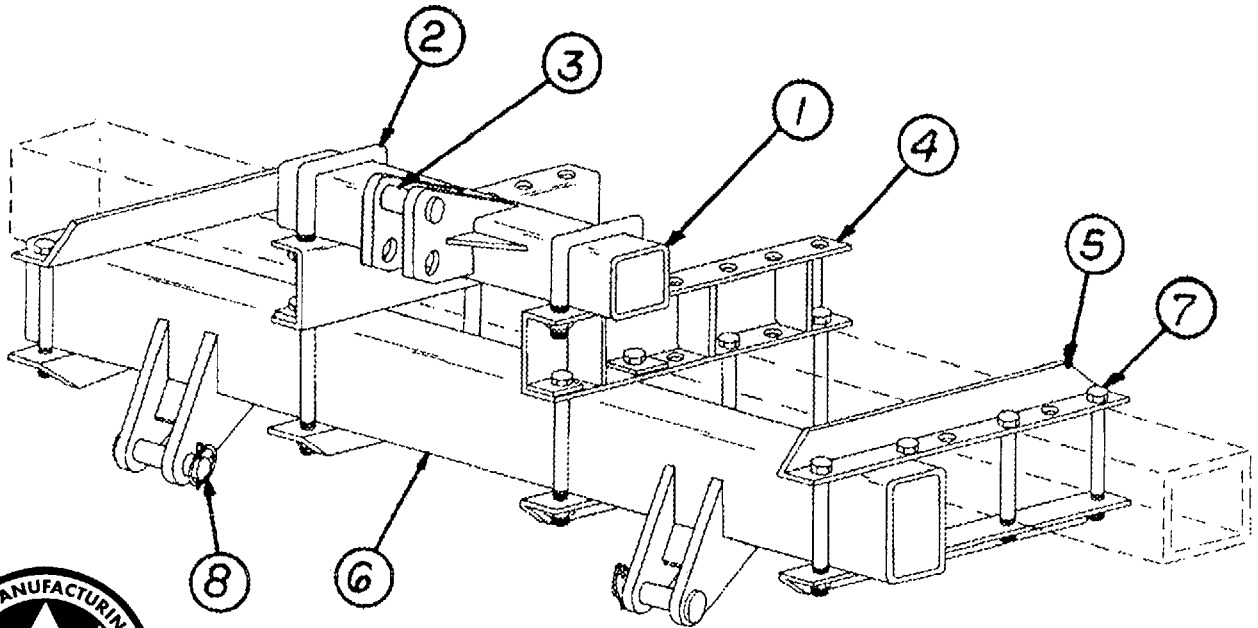


# CAT III HITCH FOR 7" SQ. BAR



## Cat. III Standard & Quick Hitch

No. 1429  
No. 1430

| Item No. | Part No. | Wt. Lbs. | Description                                      | Qty. Required |      |
|----------|----------|----------|--|---------------|------|
|          |          |          |  | 1429          | 1430 |
| 1        | 300279   | 47½      | Mast Top – Cat III - Hitch .....                 | 1             | 1    |
| 2        | 415018   | 2        | 7/8" Sq. U-Bolt x 4" x 6½" Leg .....             | 2             | 2    |
| -        | 413514   | -        | Lock Washer -- 7/8" - Zinc .....                 | 20            | 20   |
| -        | 412014   | -        | Hex Nut -- 7/8" - 9 - Gr 2 - Zinc .....          | 20            | 20   |
| 3        | 416698   | 1        | 1¼" Top Link Pin - Zinc.....(6½") .....          | 1             | 1    |
| -        | 416207   | 1        | Klik Pin -- 7/16" - Zinc .....                   | 1             | 1    |
| 4        | 301037   | 26½      | Mast Side - Hitch .....                          | 2             | 2    |
| 5        | 201601   | 15¼      | Angle Support - RH - Hitch .....                 | 3             | 3    |
| -        | 201602   | 15¼      | Angle Support - LH - Hitch .....                 | 3             | 3    |
| 6        | 300839   | 146      | Pull Piece Bracket -- Cat III (60") .....        | 1             | -    |
| -        | 300843   | 146      | Pull Piece Bracket -- Cat III Narrow (60") ..... | 1             | -    |
| -        | 300845   | 171      | Pull Piece Bracket -- Cat III (72") .....        | -             | 1    |
| 7        | 411294   | 1¾       | Hex Bolt -- 7/8" x 10" NC - Gr 2 - Zinc.....     | 16            | 16   |
| 8        | 300837   | 2¾       | Pull Pin -- 1-7/16" x 6" .....                   | 2             | 2    |
| -        | 416207   | 1        | Klik Pin -- 7/16" - Zinc .....                   | 2             | 2    |