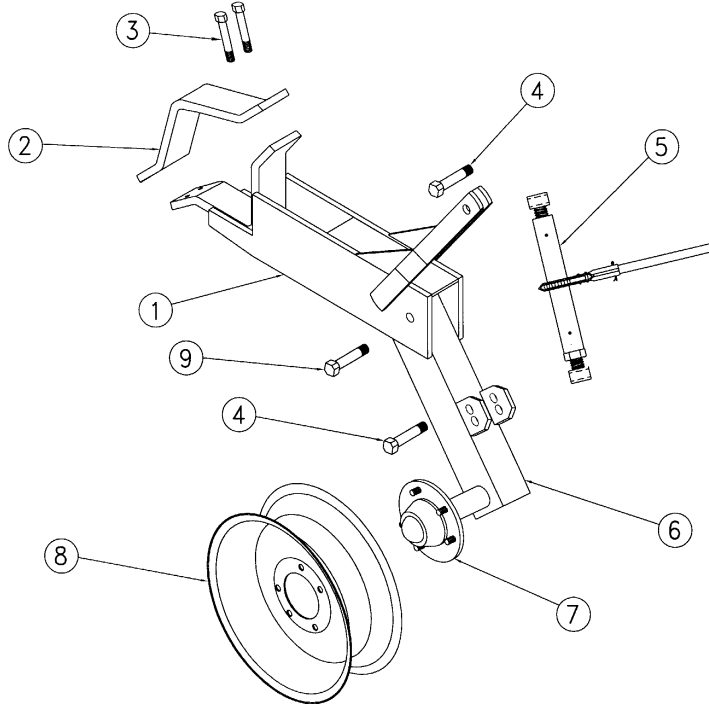


RATCHET ADJ. GAUGE WHEELS



**No. 1338
& 1339**



<u>Item No.</u>	<u>Part No.</u>	<u>Wt. Lbs.</u>	<u>Description</u>	<u>Qty. Req. for 1 Assembly</u>
1	302225	60	Holder	1
2	203770	10	Backing Clamp for 7" Sq. Bar	1
3	411591	½	Hex Bolt -- 3/4" x 4" NC - Gr 5 - Zinc	4
-	412012	-	Hex Nut -- 3/4" - 10 - Gr 2 - Zinc	6
-	413512	-	Lock Washer -- 3/4" - Zinc	6
4	411591	½	Hex Bolt -- 3/4" x 4" NC - Gr 5 - Zinc	2
5	302025	11½	Ratchet Crank Assembly	1
6	302226	34¾	RH Leg w/Hub -- #1338 Gauge Wheel (Shown)	1
-	302227	34¾	LH Leg w/Hub -- #1338 Gauge Wheel	1
-	302228	38¾	RH 3" Offset Leg w/Hub -- #1339 Gauge Wheel	1
-	302229	38¾	LH 3" Offset Leg w/Hub -- #1339 Gauge Wheel	1
7	491119	11	5 Hole Hub Complete - Q-719	1
-	491007	9¾	Hub w/Cups Only - Q-719	1
-	481205	¼	Cone - Q809 & Q719 - LM67048	1
-	496010	-	Outer Cup - Q809 & Q719 - LM67010	1
-	481204	¼	Cone - Q809 & Q719 - LM48548	1
-	496011	-	Inner Cup - Q809 & Q719 - LM48510	1
-	497010	-	Grease Seal - Q719 - CR 15190	1
-	490006	¼	Hub Cap - Q809 & Q719	1
-	490015	-	1/2" NF Lug Nut	5
-	490017	-	Drive-In Hub Bolt - Q719	5
-	412164	-	Slotted Nut -- 7/8" - 14 Spindle	1
-	490034	-	Spindle Washer -- 7/8" - Q875/Q809/Q719	1
8	493007	17	15" x 5" x 5 Hole Wheel	1
9	411594	¾	Hex Bolt -- 3/4" x 5" NC - Gr 5 - Zinc	1
-	412012	-	Hex Nut -- 3/4" - 10 - Gr 2 - Zinc	1
-	413512	-	Lock Washer -- 3/4" - Zinc	1