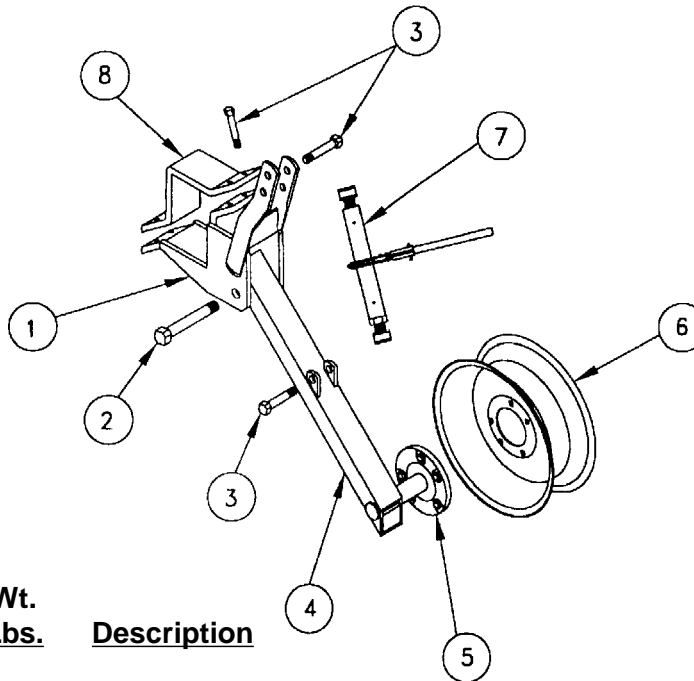


7 x 7 BAR GAUGE WHEEL

FOR ROLLING BED MAKER AND HIGH CLEAR CULTIVATOR



**No. 1320
& No. 1321***

*Used on Bed
Maker center
section with
weld-on holder.

<u>Item No.</u>	<u>Part No.</u>	<u>Wt. Lbs.</u>	<u>Description</u>	<u>Qty. Req'd for One Assembly</u>
1	302020	35¼	Holder - Gauge Wheel	1
2	411598	1	Hex Bolt -- 1" x 6½" NC - Gr 5 - Zinc	1
-	412016	-	Hex Nut -- 1" - 8 - Gr 2 - Zinc	1
-	413516	-	Lock Washer -- 1" - Zinc	1
3	411591	½	Hex Bolt -- ¾" x 4" NC - Gr 5 - Zinc	6
-	412012	-	Hex Nut -- ¾" - 10 - Gr 2 - Zinc	6
-	413512	-	Lock Washer -- ¾" - Zinc	6
4	302022	42½	LH Leg w/Hub - #1320 Gauge Wheel (Shown)	1
-	302021	42½	RH Leg w/Hub - #1320 Gauge Wheel	1
-	302024	50	Offset Leg LH w/Spind & Hub (1321 Ga Wh).....Not Illustrated	1
-	302023	50	Offset Leg RH w/Spind & Hub (1321 Ga Wh).....Not Illustrated	1
5	491119	10	5 Hole Hub Complete - Q-719	1
-	491007	9¾	Hub w/Cups Only - Q-719	1
-	481205	¼	Cone - Q809 & Q719 - LM67048	1
-	496010	-	Outer Cup - Q809 & Q719 - LM67010	1
-	481204	¼	Cone - Q809 & Q719 - LM48548	1
-	496011	-	Inner Cup - Q809 & Q719 - LM48510	1
-	497010	-	Grease Seal - Q719 - CR 15190	1
-	490006	¼	Hub Cap - Q809 & Q719	1
-	490015	-	1/2" NF Lug Nut	5
-	490017	-	Drive-In Hub Bolt - Q719	5
-	412164	-	Slotted Nut -- 7/8" - 14 Spindle	1
-	490034	-	Spindle Washer -- 7/8" - Q875/Q809/Q719	1
6	493007	17	15" x 5" x 5 Hole Wheel	1
7	302025	11½	Ratchet Crank Assembly	1
8	204242	13½	Backing Plate -- Bed Maker Gauge Wheel	1