

W & A

PARTS MANUAL



STACKER TOOL BAR

TOP LEVELING MODEL

Model No. 1278 -- 16 @ 30" Row - Cultivator



Quality Products from

W & A MANUFACTURING COMPANY

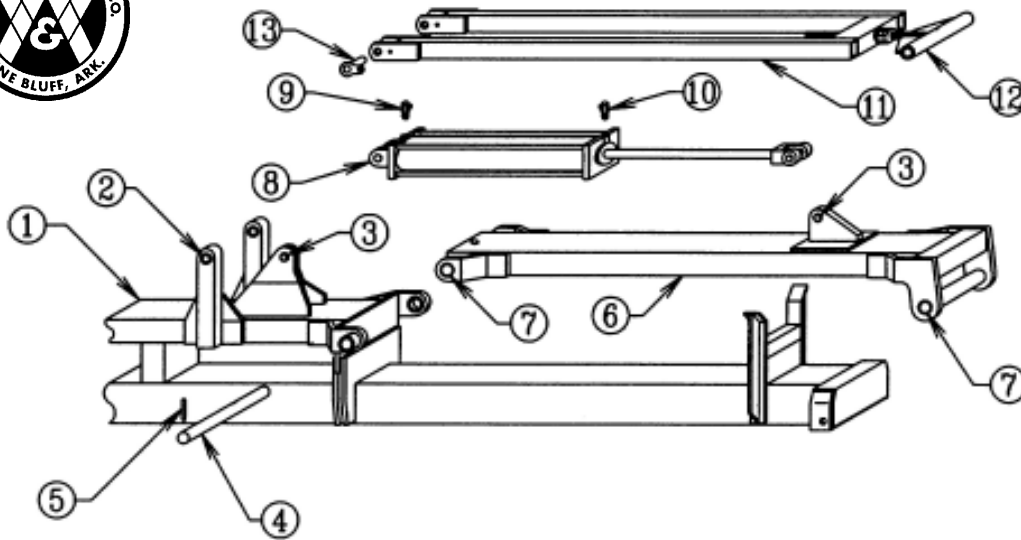
P.O. Box 5238, Pine Bluff, Arkansas 71611

Phone: (870) 534-7420

Fax: (800) 336-1318

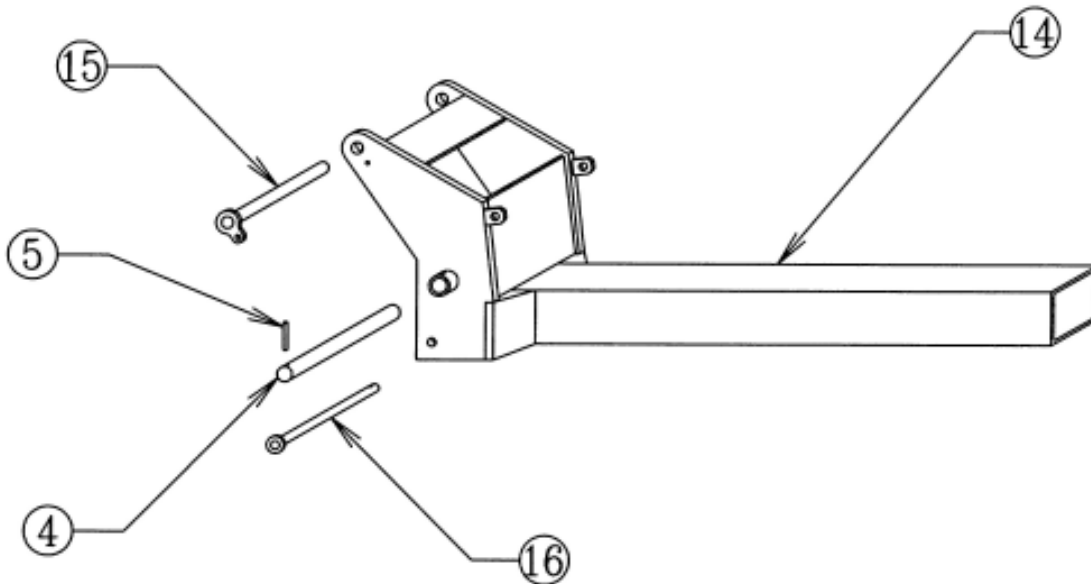
Website: www.wamfgco.com

CENTER SECTION



| Item No. | Part No. | Wt. Lbs. | Description | Qty. Req'd |
|----------|----------|----------|----------------------------------------------------------------------------|------------|
| 1 | 301838 | 1369 | Center Section – 16 @ 30" Row Cultivator.....(258-7/8") | 1 |
| 2 | 401084 | ¼ | Form 1 Bushing -- 1½" OD x 1¼" ID x 1½" Long | 4 |
| 3 | 401080 | ¼ | Form 1 Bushing -- 1½" OD x 1¼" ID x 1" Long | 4 |
| 4 | 203948 | 14¼ | 2" Pivot Pin x 16¼" | 4 |
| - | 413124 | - | Machine Washer -- 3" OD x 2" ID x 10 Ga.....(Not Illustrated) .. | 8 |
| 5 | 416133 | - | Roll Pin -- 1/2" x 3½" - Zinc..... | 4 |
| 6 | 301802 | 206 | Power Arm -- Top Leveling Stacker | 2 |
| 7 | 401118 | ½ | Bushing -- 2.376" OD x 2.006" ID x 2" Long | 8 |
| - | 450004 | - | 1/4" Drive-in Grease Fitting.....(Not Illustrated) .. | 4 |
| 8 | 476524 | 110 | Hydraulic Cylinder -- 5" x 24" (w/1¼" Pin)..... | 2 |
| - | 477056 | - | Seal Kit -- 5" x 24" & 5" x 30" Lion Cyl - 2" Rod.....(Not Illustrated) .. | - |
| 9 | 446188 | ¼ | 1/2" x 1/2" Swivel Orifice Elbow | 2 |
| 10 | 446188 | ¼ | 1/2" x 1/2" Swivel Orifice Elbow | 2 |
| - | 785115 | ½ | 3/8" Hydraulic Hose x 115".....(Not Illustrated) .. | 2 |
| - | 785126 | ½ | 3/8" Hydraulic Hose x 126".....(Not Illustrated) .. | 2 |
| 11 | 301821 | 59 | Leveling Arm -- For 1½" Dia. Rod - 16 @ 30" Cultivator | 2 |
| 12 | 301819 | 19¾ | Leveling Arm End with Lock Nut – 1½" Dia.Rod | 2 |
| - | 410032 | 1 | Lock Nut -- 1½" NF Top Lock - Zinc.....(Not Illustrated) .. | 2 |
| - | 413024 | ¼ | Flat Washer -- 1½" - Zinc.....(Not Illustrated) .. | 2 |
| - | 413120 | - | Machine Washer -- 2¼" OD x 1½" ID x 10 Ga.....(Not Illustrated) .. | 2 |
| - | 450004 | - | 1/4" Drive-in Grease Fitting.....(Not Illustrated) .. | 2 |
| - | 401095 | - | Form 1 Bushing -- 1-7/8" OD x 1½" ID x 1"Long.....(Not Illustrated) ... | 4 |
| 13 | 301824 | 1¾ | Small Pin -- 1¼" x 2½" Stacker Bar | 4 |
| - | 411545 | - | Hex Bolt -- 1/2" x 1½" NC - Gr 5 - Zinc.....(Not Illustrated) .. | 4 |
| - | 413508 | - | Lock Washer -- 1/2" - Zinc.....(Not Illustrated) ... | 4 |
| - | 413008 | - | Flat Washer -- 1/2" - Zinc.....(Not Illustrated) .. | 4 |

WING



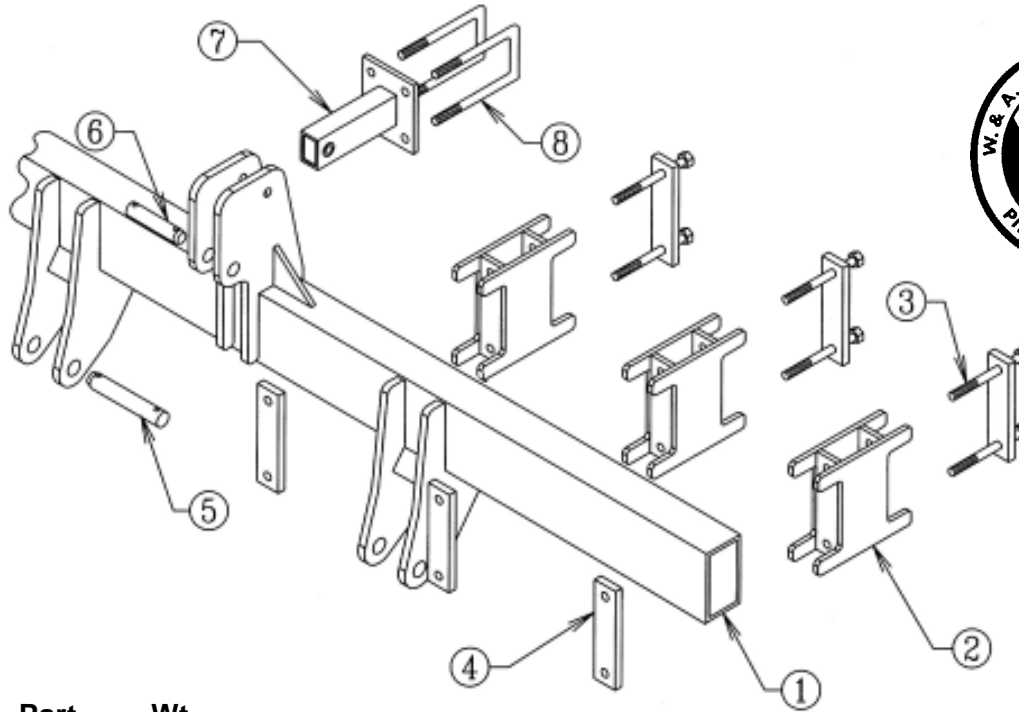
| Item No. | Part No. | Wt. Lbs. | Description | Qty. Req'd |
|----------|----------|----------|------------------------------------------------------------------|------------|
| 4 | 203948 | 14¼ | 2" Pivot Pin x 16¼" | 4 |
| - | 413124 | - | Machine Washer -- 3" OD x 2" ID x 10 Ga.....(Not Illustrated) .. | 8 |
| 5 | 416133 | - | Roll Pin -- 1/2" x 3½" - Zinc..... | 4 |
| 14 | 301830 | 471 | Wing -- 16 @ 30" Row Cultivator.....(108" Tube) | 2 |
| 15 | 301825 | 8 | Top Pin -- Top Leveling Stacker | 2 |
| - | 411545 | - | Hex Bolt -- 1/2" x 1½" NC - Gr 5 - Zinc.....(Not Illustrated) .. | 2 |
| - | 413508 | - | Lock Washer -- 1/2" - Zinc.....(Not Illustrated) .. | 2 |
| - | 413008 | - | Flat Washer -- 1/2" - Zinc.....(Not Illustrated) .. | 2 |
| 16 | 301826 | 3½ | Wing Lock Pin -- Top Leveling Stacker | 2 |
| - | 416204 | - | Klik Pin -- 1/4" - Zinc.....(Not Illustrated) .. | 2 |

USE ONLY



W & A REPLACEMENT PARTS

HITCH ASSEMBLY



| <u>Item No.</u> | <u>Part No.</u> | <u>Wt. Lbs.</u> | <u>Description</u> | <u>Qty. Req'd</u> |
|-----------------|-----------------|-----------------|------------------------------------------------------------------|-------------------|
| 1 | 301839 | 536 | Stacker Cultivator Hitch – 16 Row @ 30"(200") | 1 |
| 2 | 302014 | 25 | 5" Spacer Block -- Top Leveling Stacker | 8 |
| 3 | 203960 | 5 | Backing Plate -- Top Leveling Stacker | 8 |
| - | 411604 | 1¼ | Hex Bolt -- 3/4" x 10" NC - Gr 5 - Zinc..... | 16 |
| - | 412012 | - | Hex Nut -- 3/4" - 10 - Gr 2 - Zinc.....(Not Illustrated) .. | 16 |
| - | 413512 | - | Lock Washer -- 3/4" - Zinc.....(Not Illustrated) .. | 16 |
| 4 | 203960 | 5 | Backing Plate -- Top Leveling Stacker | 8 |
| - | 411598 | ½ | Hex Bolt -- 3/4" x 6½" NC - Gr 5 - Zinc.....(Not Illustrated) .. | 16 |
| - | 412012 | - | Hex Nut -- 3/4" - 10 - Gr 2 - Zinc.....(Not Illustrated) .. | 16 |
| - | 413512 | - | Lock Washer -- 3/4" - Zinc.....(Not Illustrated) .. | 16 |
| 5 | 200876 | 3¾ | Hardened Pull Pin -- 1-7/16" x 8-3/8" - Zinc | 2 |
| - | 416207 | - | Klik Pin -- 7/16" - Zinc.....(Not Illustrated) .. | 2 |
| - | 416133 | - | Roll Pin -- 1/2" x 3½" - Zinc.....(Not Illustrated) .. | 2 |
| 6 | 200853 | 2 | Hardened Top Link Pin -- 1¼" x 5-15/16" - Zinc | 1 |
| - | 416207 | - | Klik Pin -- 7/16" - Zinc.....(Not Illustrated) .. | 1 |
| - | 416120 | - | Roll Pin -- 3/8" x 2" - Zinc.....(Not Illustrated) .. | 1 |
| 7 | 301836 | 11 | Top Connector -- 5" Spacer - Hitch Assm | 1 |
| - | 411822 | ¾ | Hex Bolt -- 3/4" x 5" NC - Gr 8 - Zinc.....(Not Illustrated) .. | 1 |
| - | 412012 | - | Hex Nut -- 3/4" - 10 - Gr 2 - Zinc.....(Not Illustrated) .. | 1 |
| - | 413512 | - | Lock Washer -- 3/4" - Zinc.....(Not Illustrated) .. | 1 |
| 8 | 415006 | 2 | 3/4" Sq. U-Bolt x 4" x 8½" Leg - Gr 5 - Zinc | 2 |
| - | 412012 | - | Hex Nut -- 3/4" - 10 - Gr 2 - Zinc.....(Not Illustrated) .. | 4 |
| - | 413512 | - | Lock Washer -- 3/4" - Zinc.....(Not Illustrated) .. | 4 |