

# W & A

## PARTS MANUAL



### STACKER TOOL BAR

### TOP LEVELING MODEL

Model No. 1272 -- 12 @ 38" Row - Bedder  
Model No. 1273 -- 12 @ 38" Row - Cultivator  
Model No. 1275 -- 12 @ 40" Row - Bedder



*Quality Products from*

**W & A MANUFACTURING COMPANY**

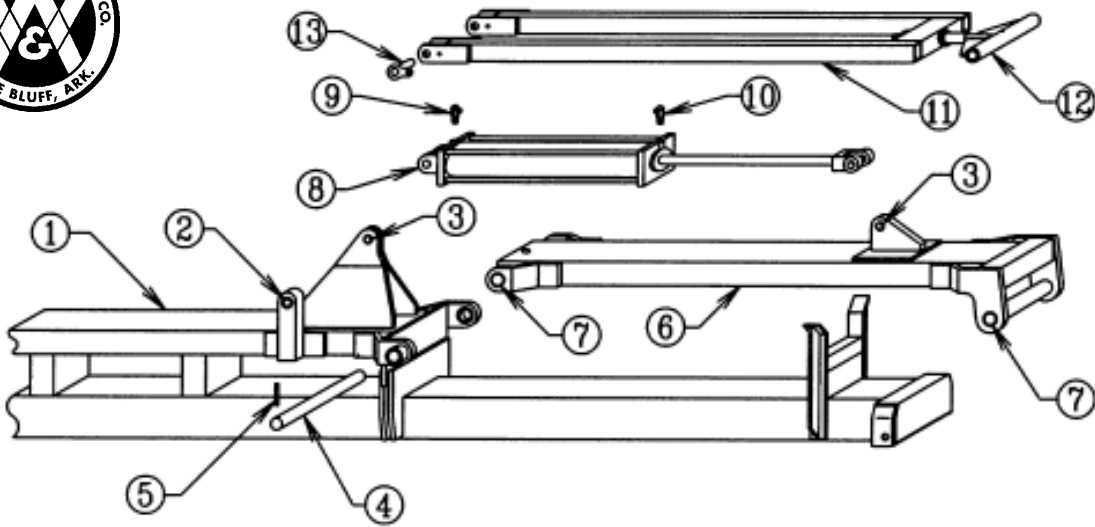
P.O. Box 5238, Pine Bluff, Arkansas 71611

Phone: (870) 534-7420

Fax: (800) 336-1318

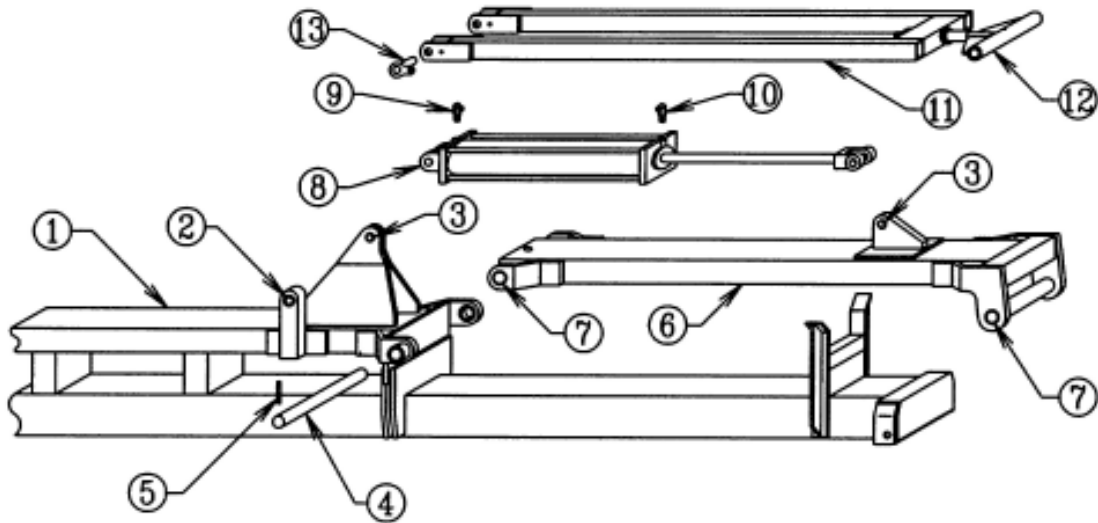
Website: [www.wamfgco.com](http://www.wamfgco.com)

# CENTER SECTION



Item No.	Part No.	Wt. Lbs.	Description	Qty. Req'd		
				1272	1273	1275
1	301810	1369	Center Section – 38” Row Bedder Bar .....	1	-	-
-	301837	1369	Center Section – 38” Row Cultivator Bar.....(Not Illustrated) ..	-	1	-
-	301818	1407	Center Section – 40” Row Bedder Bar.....(Not Illustrated) ..	-	-	1
2	401084	¼	Form 1 Bushing -- 1½” OD x 1¼” ID x 1½” Long .....	4	4	4
3	401080	¼	Form 1 Bushing -- 1½” OD x 1¼” ID x 1” Long .....	4	4	4
4	203948	14¼	2” Pivot Pin x 16¼” .....	4	4	4
-	413124	-	Machine Washer -- 3” OD x 2” ID x 10 Ga.....(Not Illustrated) ..	8	8	8
5	416133	-	Roll Pin -- 1/2” x 3½” - Zinc .....	4	4	4
6	301802	265	Power Arm -- Top Leveling Stacker .....	2	2	2
7	401118	½	Bushing -- 2.376” OD x 2.006” ID x 2” Long .....	8	8	8
-	450004	-	1/4” Drive-in Grease Fitting.....(Not Illustrated) ...	4	4	4
8	476029	126	Hydraulic Cylinder -- 5” x 30” (w/Pins) .....	2	2	2
-	477056	-	Seal Kit -- 5” x 24” & 5” x 30” Lion Cyl - 2” Rod..(Not Illustrated)	-	-	-
9	446188	¼	1/2” x 1/2” Swivel Orifice Elbow .....	2	2	2
10	446188	¼	1/2” x 1/2” Swivel Orifice Elbow .....	2	2	2
-	785120	½	3/8” Hydraulic Hose x 120”.....(Not Illustrated) ...	2	2	-
-	785138	¾	3/8” Hydraulic Hose x 138”.....(Not Illustrated) ...	2	2	-
-	785123		3/8” Hydraulic Hose x 123”.....(Not Illustrated) ...	-	-	2
-	785143		3/8” Hydraulic Hose x 143”.....(Not Illustrated) ...	-	-	2

# CENTER SECTION (Continued)



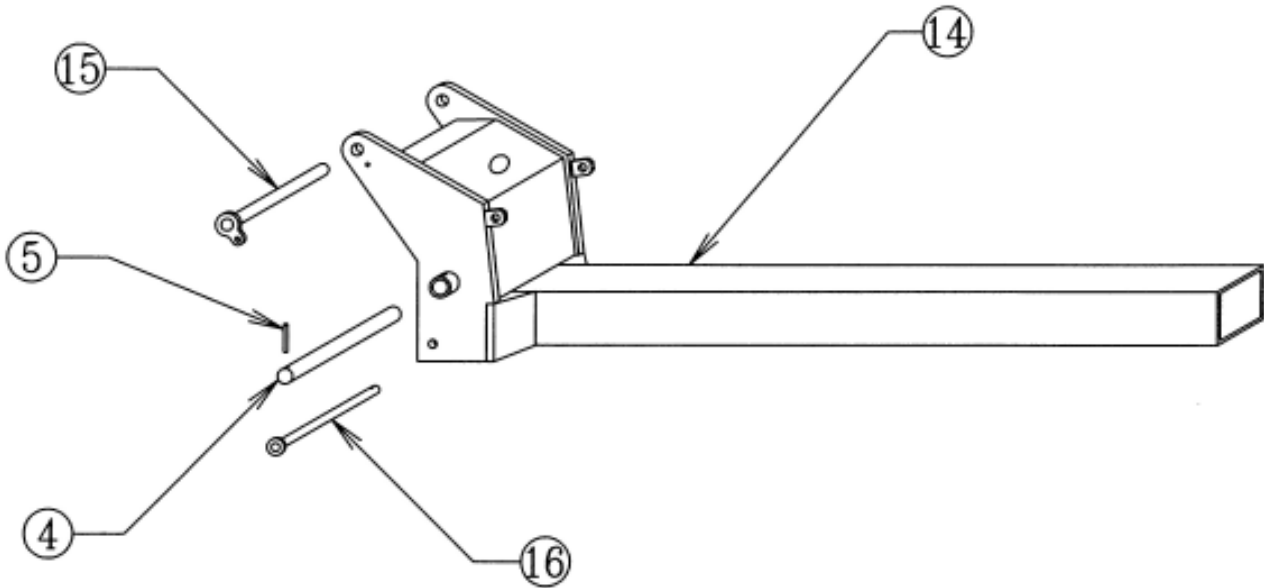
Item No.	Part No.	Wt. Lbs.	Description	Qty. Req'd		
				1272	1273	1275
11	301820	88	Leveling Arm -- For 1½" Dia. Rod .....	2	2	2
12	301819	19¾	Leveling Arm End with Lock Nut -- 1½" Dia. Rod .....	2	2	2
-	410032	1	Lock Nut -- 1½" NF Top Lock - Zinc.....(Not Illustrated) ...	2	2	2
-	413024	¼	Flat Washer -- 1½" - Zinc.....(Not Illustrated) ...	2	2	2
-	413120	-	Machine Washer -- 2¼" OD x 1½" ID x 10 Ga..(Not Illustrated) ...	2	2	2
-	450004	-	1/4" Drive-in Grease Fitting.....(Not Illustrated) ...	2	2	2
-	401095	-	Form 1 Bushing.....1-7/8" OD x 1½" ID x 1" Long.....(Not Illustrated) ...	4	4	4
13	301824	1¾	Small Pin -- 1¼" x 2½" Stacker Bar .....	4	4	4
-	411545	-	Hex Bolt -- 1/2" x 1½" NC - Gr 5 - Zinc.....(Not Illustrated) ...	4	4	4
-	413508	-	Lock Washer -- 1/2" - Zinc.....(Not Illustrated) ..	4	4	4
-	413008	-	Flat Washer -- 1/2" - Zinc.....(Not Illustrated) ...	4	4	4

**USE ONLY**



**W & A REPLACEMENT PARTS**

# WING



Item No.	Part No.	Wt. Lbs.	Description	Qty. Req'd		
				1272	1273	1275
4	203948	14¼	2" Pivot Pin x 16¼" .....	4	4	4
-	413124	-	Machine Washer -- 3" OD x 2" ID x 10 Ga.....(Not Illustrated) ..	8	8	8
5	416133	-	Roll Pin -- 1/2" x 3½" - Zinc .....	4	4	4
14	301817	460	Wing -- 38" & 40" Row Bedder & Cultivator .....	2	2	2
15	301825	8	Top Pin -- Top Leveling Stacker .....	2	2	2
-	411545	-	Hex Bolt -- 1/2" x 1½" NC - Gr 5 - Zinc.....(Not Illustrated) ...	2	2	2
-	413508	-	Lock Washer -- 1/2" - Zinc.....(Not Illustrated) ..	2	2	2
-	413008	-	Flat Washer -- 1/2" - Zinc.....(Not Illustrated) ...	2	2	2

**USE ONLY**

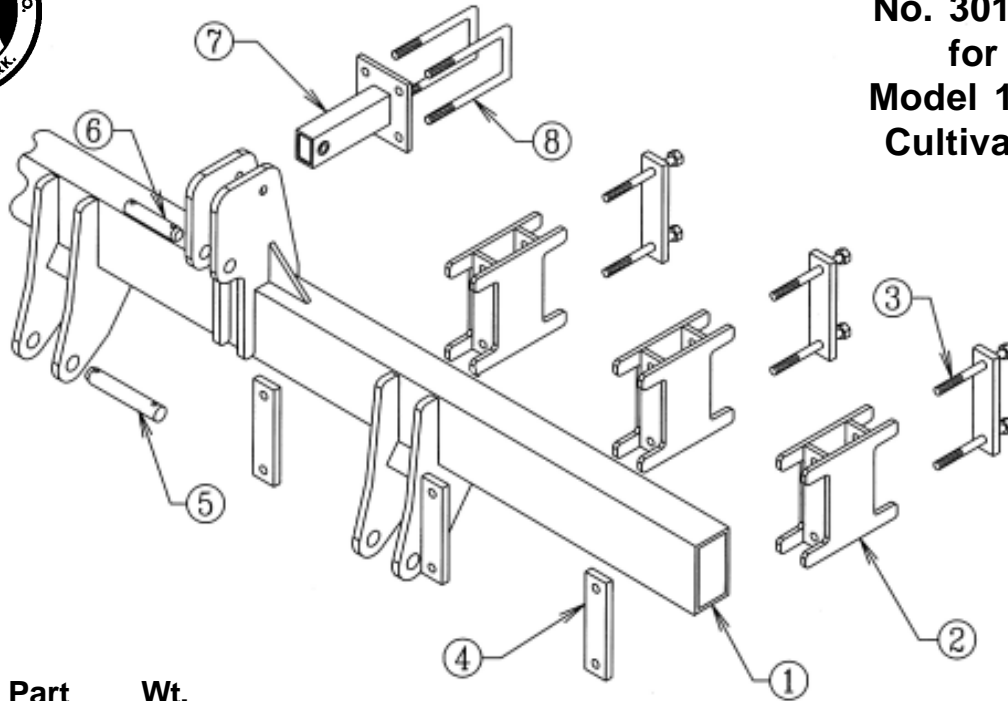


**W & A REPLACEMENT PARTS**



# HITCH ASSEMBLY

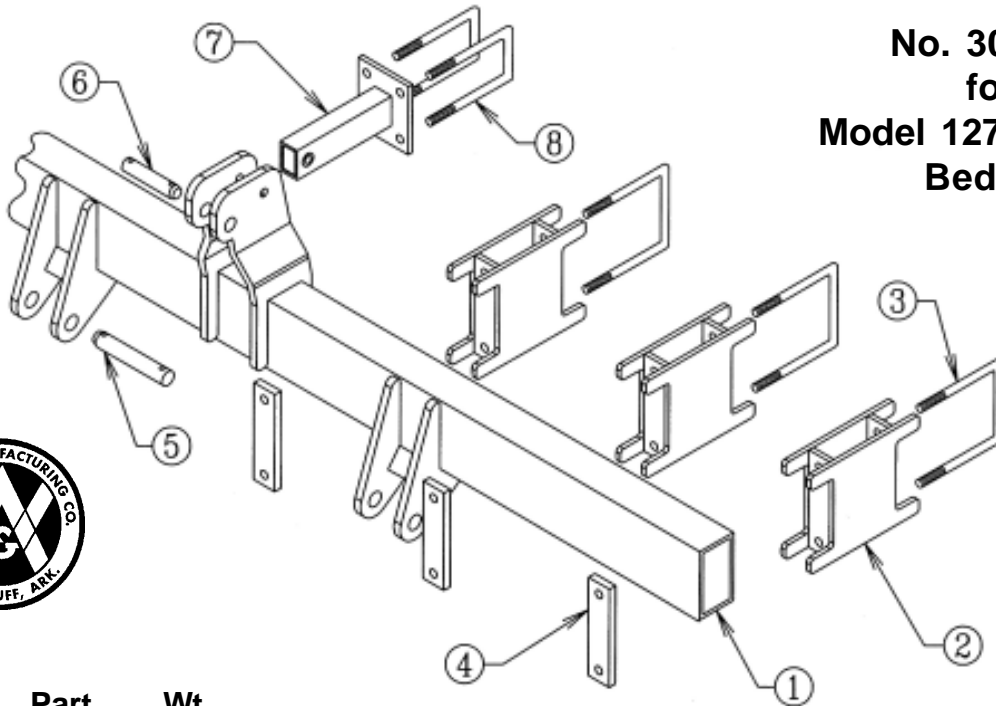
No. 301835  
for  
Model 1273  
Cultivator



<u>Item No.</u>	<u>Part No.</u>	<u>Wt. Lbs.</u>	<u>Description</u>	<u>Qty. Req'd 1273</u>
1	301835	411	Wide Hitch -- Cultivator .....	1
2	302014	25	5" Spacer Block -- Top Leveling Stacker .....	6
3	203960	5	Backing Plate -- Top Leveling Stacker .....	6
-	411604		Hex Bolt -- 3/4" x 10" - Gr 5 - Zinc .....	12
-	412012	-	Hex Nut -- 3/4" - 10 - Gr 2 - Zinc.....(Not Illustrated) ...	12
-	413512	-	Lock Washer -- 3/4" - Zinc.....(Not Illustrated) ...	12
4	203960	5	Backing Plate -- Top Leveling Stacker .....	6
-	411598	1/2	Hex Bolt -- 3/4" x 6 1/2" NC - Gr 5 - Zinc.....(Not Illustrated) ...	12
-	412012	-	Hex Nut -- 3/4" - 10 - Gr 2 - Zinc.....(Not Illustrated) ...	12
-	413512	-	Lock Washer -- 3/4" - Zinc.....(Not Illustrated) ...	12
5	200876	3 3/4	Hardened Pull Pin -- 1-7/16" x 8-3/8" - Zinc .....	2
-	416207	-	Klik Pin -- 7/16" - Zinc.....(Not Illustrated) ...	2
-	416133	-	Roll Pin -- 1/2" x 3 1/2" - Zinc.....(Not Illustrated) ...	2
6	200853	2	Hardened Top Pin -- 1 1/4" x 5-15/16" - Zinc .....	1
-	416207	-	Klik Pin -- 7/16" - Zinc.....(Not Illustrated) ...	1
-	416120	-	Roll Pin -- 3/8" x 2" - Zinc.....(Not Illustrated) ...	1
7	301836	11	Top Connector -- 5" Spacer Block - Hitch Assm .....	1
-	411822	3/4	Hex Bolt -- 3/4" x 5" NC - Gr 8 - Zinc.....(Not Illustrated) ...	1
-	412012	-	Hex Nut -- 3/4" - 10 - Gr 2 - Zinc.....(Not Illustrated) ...	1
-	413512	-	Lock Washer -- 3/4" - Zinc.....(Not Illustrated) ...	1
8	415006	2	3/4" Sq. U-Bolt x 4" x 8 1/2" Leg - Gr. 5 - Zinc .....	2
-	412012	-	Hex Nut -- 3/4" - 10 - Gr 2 - Zinc.....(Not Illustrated) ...	4
-	413512	-	Lock Washer -- 3/4" - Zinc.....(Not Illustrated) ...	4

# HITCH ASSEMBLY

No. 301833  
for  
Model 1272 & 1275  
Bedder



Item No.	Part No.	Wt. Lbs.	Description	Qty. Req'd Bedder
1	301833	361	Wide Hitch -- Top Leveling Stacker .....	1
2	301831	32 $\frac{1}{4}$	7 $\frac{1}{2}$ " Spacer Block -- Top Leveling Stacker .....	6
3	415004	2 $\frac{1}{2}$	3/4" Sq. U-Bolt x 7" x 9" Leg .....	6
-	412012	-	Hex Nut -- 3/4" - 10 - Gr 2 - Zinc.....(Not Illustrated) ...	12
-	413512	-	Lock Washer -- 3/4" - Zinc.....(Not Illustrated) ..	12
4	203960	5	Backing Plate -- Top Leveling Stacker .....	6
-	411598	1/2	Hex Bolt -- 3/4" x 6 $\frac{1}{2}$ " NC - Gr 5 - Zinc.....(Not Illustrated) ...	12
-	412012	-	Hex Nut -- 3/4" - 10 - Gr 2 - Zinc.....(Not Illustrated) ...	12
-	413512	-	Lock Washer -- 3/4" - Zinc.....(Not Illustrated) ..	12
5	200876	3 $\frac{3}{4}$	Hardened Pull Pin -- 1-7/16" x 8-3/8" - Zinc .....	2
-	416207	-	Klik Pin -- 7/16" - Zinc.....(Not Illustrated) ...	2
-	416133	-	Roll Pin -- 1/2" x 3 $\frac{1}{2}$ " - Zinc.....(Not Illustrated) ..	2
6	200853	2	Hardened Top Link Pin -- 1 $\frac{1}{4}$ " x 5-15/16" - Zinc .....	1
-	416207	-	Klik Pin -- 7/16" - Zinc.....(Not Illustrated) ...	1
-	416120	-	Roll Pin -- 3/8" x 2" - Zinc.....(Not Illustrated) ...	1
7	301834	12 $\frac{3}{4}$	Top Connector -- 7 $\frac{1}{2}$ " Spacer Block - Hitch Assm .....	1
-	411822	3/4	Hex Bolt -- 3/4" x 5" NC - Gr 8 - Zinc.....(Not Illustrated) ..	1
-	412012	-	Hex Nut -- 3/4" - 10 - Gr 2 - Zinc.....(Not Illustrated) ...	1
-	413512	-	Lock Washer -- 3/4" - Zinc.....(Not Illustrated) ..	1
8	415006	2	3/4" Sq. U-Bolt x 4" x 8 $\frac{1}{2}$ " Leg - Gr. 5 - Zinc.....	2
-	412012	-	Hex Nut -- 3/4" - 10 - Gr 2 - Zinc.....(Not Illustrated) ...	4
-	413512	-	Lock Washer -- 3/4" - Zinc.....(Not Illustrated) ..	4

# NOTES

**USE ONLY**

**W & A REPLACEMENT PARTS**



# **W & A Manufacturing Company**

**1810 Ohio Street**

**P.O. Box 5238**

**PINE BLUFF, ARKANSAS 71611**

**Phone (870) 534-7420**

**Fax (800) 336-1318**

***www.wamfgco.com***