

W & A

PARTS MANUAL



STACKER TOOL BAR TOP LEVELING MODEL

Model No. 1270 -- 12 @ 38" Row - Planter

Model No. 1271 -- 12 @ 40" Row - Planter

Model No. 1274 -- 16 @ 30" Row - Planter



Quality Products from

W & A MANUFACTURING COMPANY

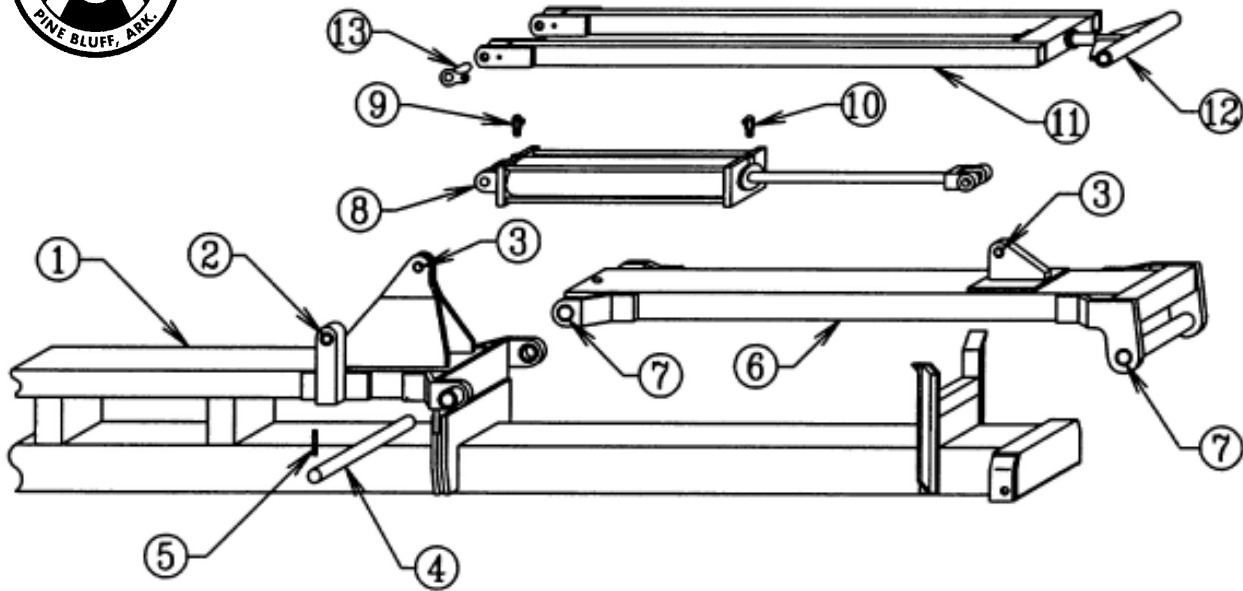
P.O. Box 5238, Pine Bluff, Arkansas 71611

Phone: (870) 534-7420

Fax: (800) 336-1318

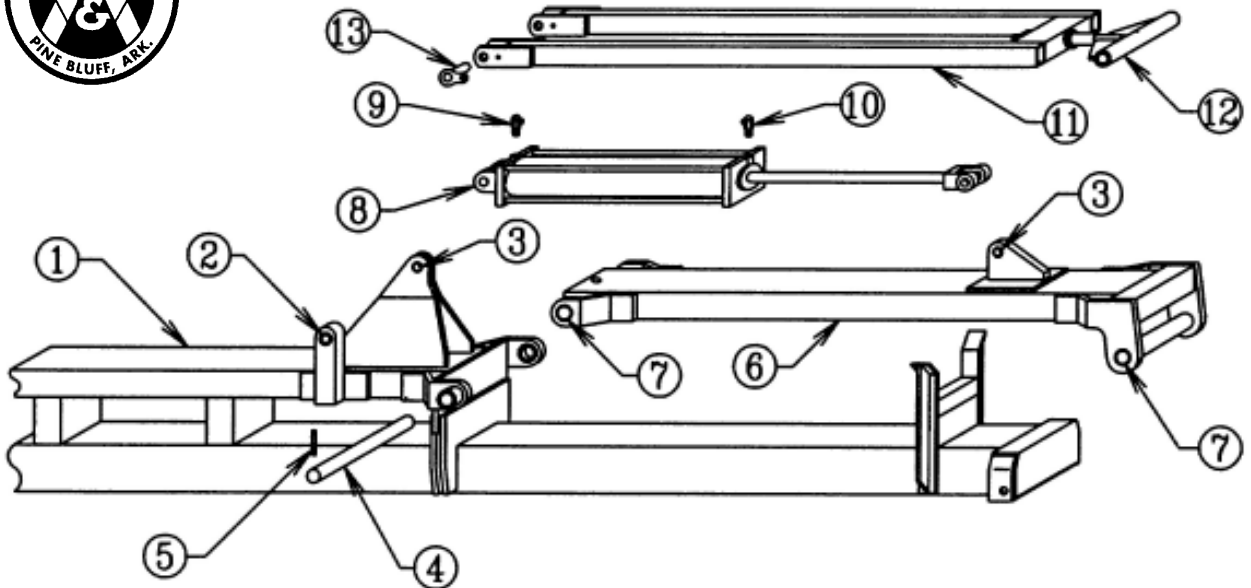
Website: www.wamfgco.com

CENTER SECTION



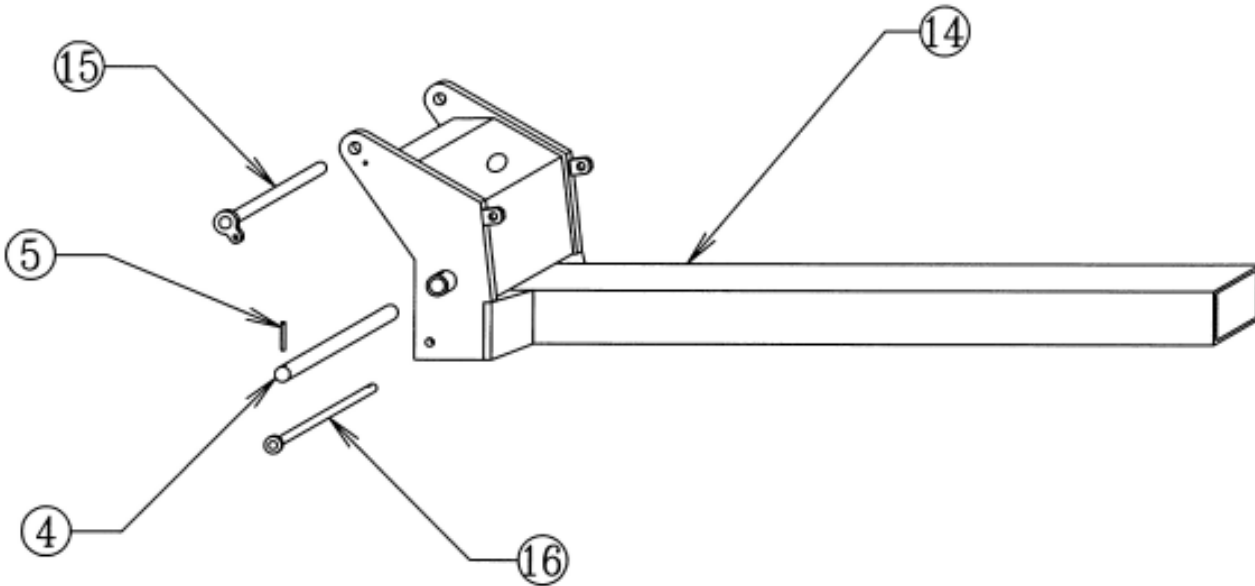
Item No.	Part No.	Wt. Lbs.	Description	Qty. Req'd		
				1270	1271	1274
1	301814	1201	Center Section – 38" Row Planter Bar	1	-	-
-	301814	1201	Center Section – 40" Row Planter Bar	-	1	-
-	301823	1220	Center Section – 30" Row Planter Bar.....(Not Illustrated) ...	-	-	1
2	401084	¼	Form 1 Bushing -- 1½" OD x 1¼" ID x 1½" Long	4	4	4
3	401080	¼	Form 1 Bushing -- 1½" OD x 1¼" ID x 1" Long	4	4	4
4	203948	14¼	2" Pivot Pin x 16¼"	4	4	4
-	413124	-	Machine Washer -- 3" OD x 2" ID x 10 Ga.....(Not Illustrated) ...	8	8	8
5	416133	-	Roll Pin -- 1/2" x 3½" - Zinc	4	4	4
6	301802	265	Power Arm -- Top Leveling Stacker	2	2	2
7	401118	½	Bushing -- 2.376" OD x 2.006" ID x 2" Long	8	8	8
-	450004	-	1/4" Drive-in Grease Fitting.....(Not Illustrated) ...	4	4	4
8	476029	126	Hydraulic Cylinder -- 5" x 30" (w/Pins)	2	2	2
-	477056	-	Seal Kit -- 5" x 24" & 5" x 30" Lion Cyl - 2" Rod.....(N/I) ...	-	-	-
9	446188	¼	1/2" x 1/2" Swivel Orifice Elbow	2	2	2

CENTER SECTION (Continued)



Item No.	Part No.	Wt. Lbs.	Description	Qty. Req'd		
				1270	1271	1274
10	446188	¼	1/2" x 1/2" Swivel Orifice Elbow	2	2	-
-	785103	½	3/8" Hydraulic Hose x 103".....(Not Illustrated) ...	2	-	-
-	785120	½	3/8" Hydraulic Hose x 120".....(Not Illustrated) ...	2	2	2
-	785138	¾	3/8" Hydraulic Hose x 138".....(Not Illustrated) ...	-	2	2
11	301820	88	Leveling Arm -- For 1½" Dia. Rod	2	2	2
12	301819	19¾	Leveling Arm End with Lock Nut -- 1½" Dia. Rod	2	2	2
-	410032	1	Lock Nut -- 1½" NF Top Lock - Zinc.....(Not Illustrated) ...	2	2	2
-	413024	¼	Flat Washer -- 1½" - Zinc.....(Not Illustrated) ...	2	2	2
-	413120	-	Machine Washer -- 1½" ID x 10 Ga.....(Not Illustrated) ...	2	2	2
-	450004	-	1/4" Drive-in Grease Fitting.....(Not Illustrated) ...	2	2	2
-	401095	-	Form 1 Bushing -- 1-7/8" OD x 1½" ID x 1" Long.....(N/I) ...	4	4	4
13	301824	1¾	Small Pin -- 1¼" x 2½" Stacker Bar	4	4	4
-	411545	-	Hex Bolt -- 1/2" x 1½" NC - Gr 5 - Zinc.....(Not Illustrated) ...	4	4	4
-	413508	-	Lock Washer -- 1/2" - Zinc.....(Not Illustrated) ...	4	4	4
-	413008	-	Flat Washer -- 1/2" - Zinc.....(Not Illustrated) ...	4	4	4

WING



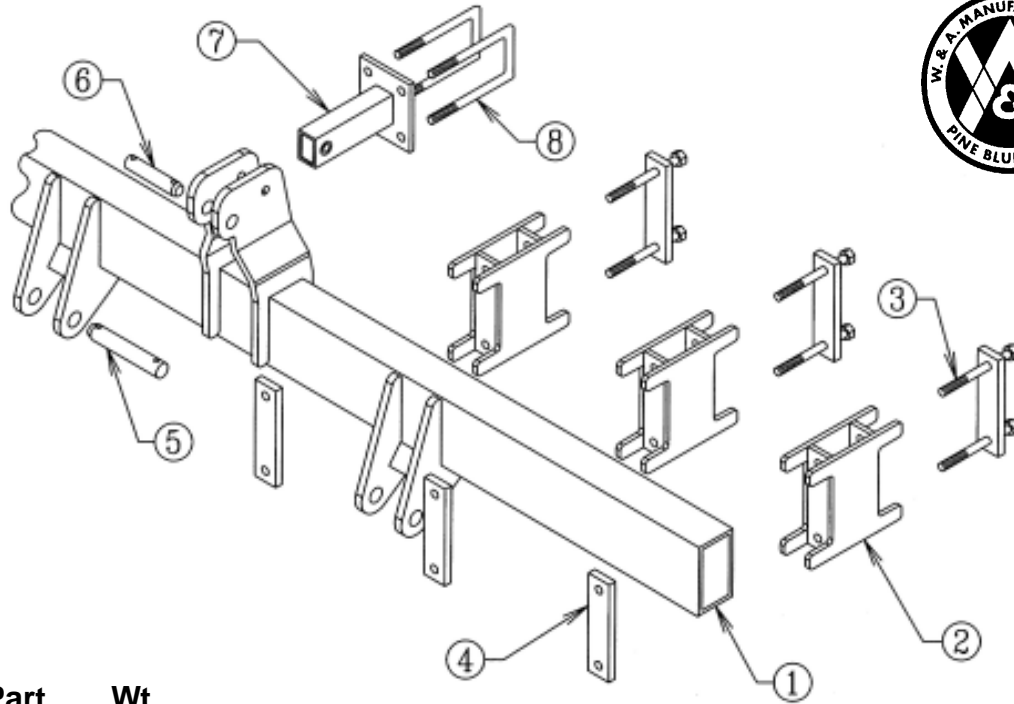
Item No.	Part No.	Wt. Lbs.	Description	Qty. Req'd		
				1270	1271	1274
4	203948	14¼	2" Pivot Pin x 16¼"	4	4	4
-	413124	-	Machine Washer -- 3" OD x 2" ID x 10 Ga.....(Not Illustrated) ...	8	8	8
5	416133	-	Roll Pin -- 1/2" x 3½" - Zinc	4	4	4
14	301816	460	Wing -- 38" Row Planter Bar	2	-	-
-	301822	475	Wing -- 30" & 40" Row Planter Bar.....(Not Illustrated) ...	-	2	2
15	301825	8	Top Pin -- Top Leveling Stacker	2	2	2
-	411545	-	Hex Bolt -- 1/2" x 1½" NC - Gr 5 - Zinc.....(Not Illustrated) ...	2	2	2
-	413508	-	Lock Washer -- 1/2" - Zinc.....(Not Illustrated) ...	2	2	2
-	413008	-	Flat Washer -- 1/2" - Zinc.....(Not Illustrated) ...	2	2	2
16	301826	3½	Wing Lock Pin -- Top Leveling Stacker	2	2	2
-	416204	-	Klik Pin -- 1/4" - Zinc.....(Not Illustrated) ...	2	2	2

USE ONLY



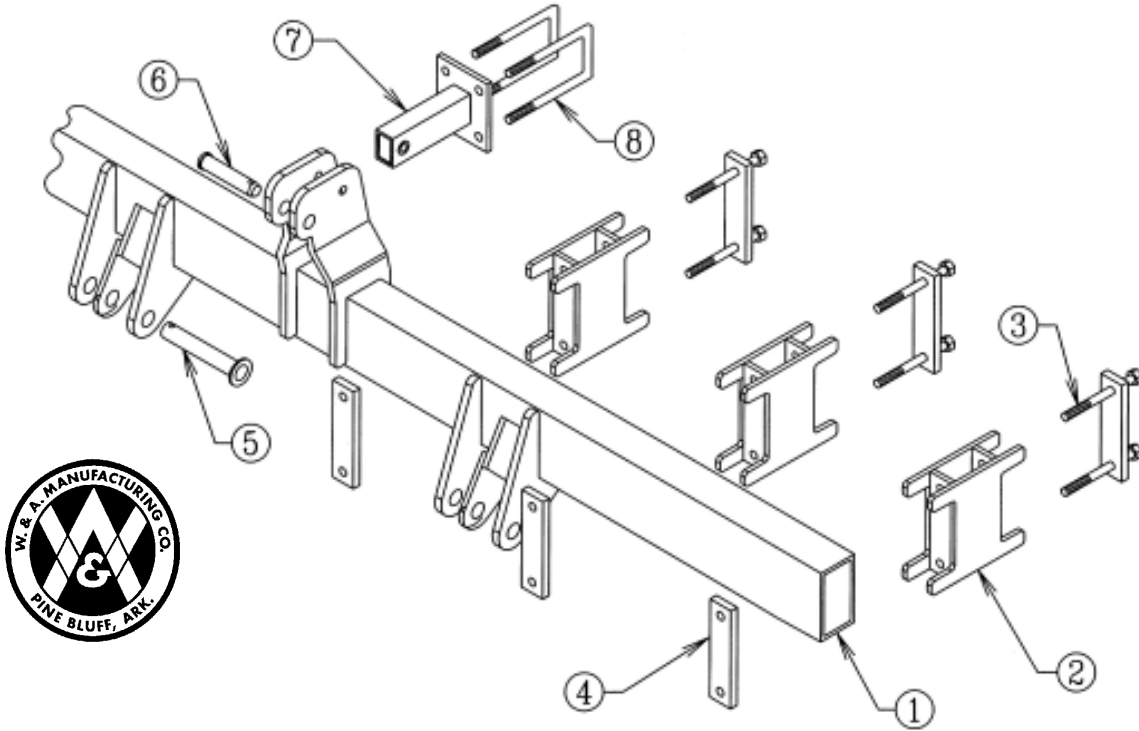
W & A REPLACEMENT PARTS

HITCH ASSEMBLY



Item No.	Part No.	Wt. Lbs.	Description	Qty. Req'd	
				1270	1271
1	301833	361	Wide Hitch -- Top Leveling Stacker	1	1
2	302014	25	5" Spacer Block -- Top Leveling Stacker	6	6
3	203960	5	Backing Plate -- Top Leveling Stacker	6	6
-	411604	1¼	Hex Bolt -- 3/4" x 10" - Gr 5 - Zinc.....(Not Illustrated) ..	12	12
-	412012	-	Hex Nut -- 3/4" - 10 - Gr 2 - Zinc.....(Not Illustrated) ..	12	12
-	413512	-	Lock Washer -- 3/4" - Zinc.....(Not Illustrated) ...	12	12
4	203960	5	Backing Plate -- Top Leveling Stacker	6	6
-	411598	½	Hex Bolt -- 3/4" x 6½" NC - Gr 5 - Zinc.....(Not Illustrated) ..	12	12
-	412012	-	Hex Nut -- 3/4" - 10 - Gr 2 - Zinc.....(Not Illustrated) ..	12	12
-	413512	-	Lock Washer -- 3/4" - Zinc.....(Not Illustrated) ...	12	12
5	200876	3¾	Hardened Pull Pin -- 1-7/16" x 8-3/8" - Zinc	2	2
-	416207	-	Klik Pin -- 7/16" - Zinc.....(Not Illustrated) ..	2	2
-	416133	-	Roll Pin -- 1/2" x 3½" - Zinc.....(Not Illustrated) ...	2	2
6	200853	2	Hardened Top Link Pin -- 1¼" x 5-15/16" - Zinc.....	1	1
-	416207	-	Klik Pin -- 7/16" - Zinc.....(Not Illustrated) ..	1	1
-	416120	-	Roll Pin -- 3/8" x 2" - Zinc.....(Not Illustrated) ..	1	1
7	301836	11	Top Connector -- 5" Spacer - Hitch Assm.....	1	1
-	411822	¾	Hex Bolt -- 3/4" x 5" NC - Gr 8 - Zinc.....(Not Illustrated) ...	1	1
-	412012	-	Hex Nut -- 3/4" - 10 - Gr 2 - Zinc.....(Not Illustrated) ..	1	1
-	413512	-	Lock Washer -- 3/4" - Zinc.....(Not Illustrated) ...	1	1
8	415006	2	3/4" Sq. U-Bolt x 4" x 8½" Leg - Gr 5 - Zinc	2	2
-	412012	-	Hex Nut -- 3/4" - 10 - Gr 2 - Zinc.....(Not Illustrated) ..	4	4
-	413512	-	Lock Washer -- 3/4" - Zinc.....(Not Illustrated) ...	4	4

HITCH ASSEMBLY



Item No.	Part No.	Wt. Lbs.	Description	Qty. Req'd
1	301832	369	Wide Stacker Hitch -- Cat. III & III Narrow.....(140")	1
2	302014	25	5" Spacer Block -- Top Leveling Stacker	6
3	203960	5	Backing Plate -- Top Leveling Stacker	6
-	411604	1¼	Hex Bolt -- 3/4" x 10" - Gr 5 - Zinc	12
-	412012	-	Hex Nut -- 3/4" - 10 - Gr 2 - Zinc.....(Not Illustrated) ..	12
-	413512	-	Lock Washer -- 3/4" - Zinc.....(Not Illustrated) ..	12
4	203960	5	Backing Plate -- Top Leveling Stacker	6
-	411598	½	Hex Bolt -- 3/4" x 6½" NC - Gr 5 - Zinc.....(Not Illustrated) ..	12
-	412012	-	Hex Nut -- 3/4" - 10 - Gr 2 - Zinc.....(Not Illustrated) ..	12
-	413512	-	Lock Washer -- 3/4" - Zinc.....(Not Illustrated) ..	12
5	300841	4	Pull Pin -- 1-7/16" x 9"	2
-	416207	-	Klik Pin -- 7/16" - Zinc.....(Not Illustrated) ..	2
6	416698	2	1¼" Top Link Pin - Zinc.....	1
-	416207	-	Klik Pin -- 7/16" - Zinc.....(Not Illustrated) ..	1
7	301836	11	Top Connector -- 5" Spacer - Hitch Assm	1
-	411822	¾	Hex Bolt -- 3/4" x 5" NC - Gr 8 - Zinc.....(Not Illustrated) ..	1
-	412012	-	Hex Nut -- 3/4" - 10 - Gr 2 - Zinc.....(Not Illustrated) ..	1
-	413512	-	Lock Washer -- 3/4" - Zinc.....(Not Illustrated) ..	1
8	415006	2	3/4" Sq. U-Bolt x 4" x 8½" Leg - Gr 5 - Zinc	2
-	412012	-	Hex Nut -- 3/4" - 10 - Gr 2 - Zinc.....(Not Illustrated) ..	4
-	413512	-	Lock Washer -- 3/4" - Zinc.....(Not Illustrated) ..	4

NOTES

USE ONLY

W & A REPLACEMENT PARTS



W & A Manufacturing Company

1810 Ohio Street

P.O. Box 5238

PINE BLUFF, ARKANSAS 71611

Phone (870) 534-7420

Fax (800) 336-1318

www.wamfgco.com