

W & A

PARTS MANUAL



STACKER TOOL BAR

TOP LEVELING MODEL

Model No. 1252 -- 8 @ 38" Row - Planter
Model No. 1253 -- 8 @ 40"/42" Row - Transplanter



Quality Products from

W & A MANUFACTURING COMPANY

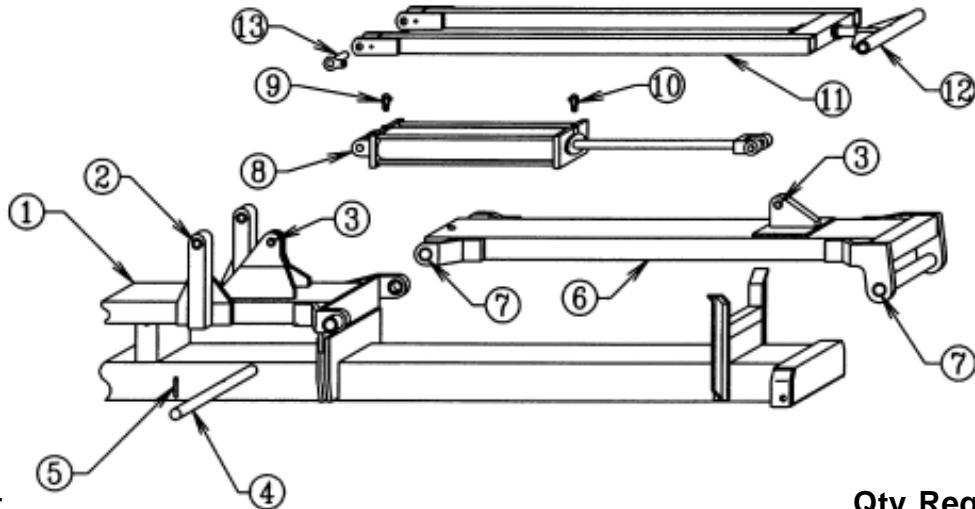
P.O. Box 5238, Pine Bluff, Arkansas 71611

Phone: (870) 534-7420

Fax: (800) 336-1318

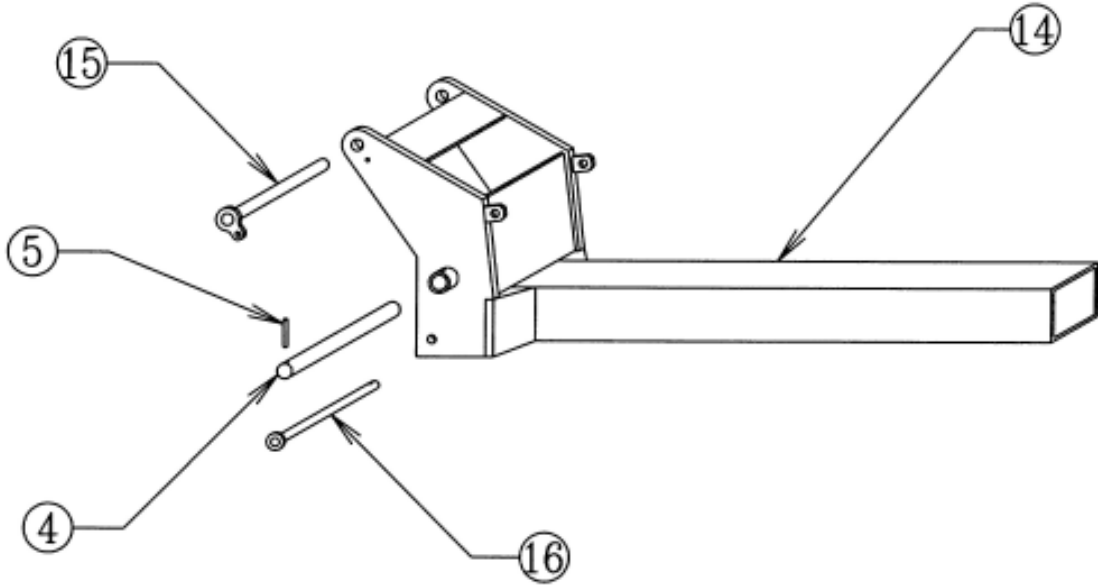
Website: www.wamfgco.com

CENTER SECTION



Item No.	Part No.	Wt. Lbs.	Description	Qty. Req'd	
				1252	1253
1	301897	740	Center Sect. – 38" Row Planter.....(153" Wide)	1	-
-	301902	823	Center Sect. – 40"/42" Row Transplanter....(167" Wide)	-	1
2	401084	¼	Form 1 Bushing -- 1½" OD x 1¼" ID x 1½" Long	4	4
3	401080	¼	Form 1 Bushing -- 1½" OD x 1¼" ID x 1" Long	4	4
4	203948	14¼	2" Pivot Pin x 16¼"	4	4
-	413124	-	Machine Washer -- 3" OD x 2" ID x 10 Ga.....(Not Illustrated) ...	8	8
5	416133	-	Roll Pin -- 1/2" x 3½" - Zinc.....	4	4
6	301894	206	Power Arm -- 38" Planter & 40/42" Transplanter	2	2
7	401118	½	Bushing -- 2.376" OD x 2.006" ID x 2" Long	8	8
-	450004	-	1/4" Drive-in Grease Fitting.....(Not Illustrated) ...	4	4
8	476524	110	Hydraulic Cylinder -- 5" x 24" (w/1¼" Pin).....	2	2
-	477056	-	Seal Kit -- 5" x 24" & 5" x 30" Lion Cyl - 2" Rod.....(Not Illustrated) ...	-	1
9	446188	¼	1/2" x 1/2" Swivel Orifice Elbow	2	2
10	446188	¼	1/2" x 1/2" Swivel Orifice Elbow	2	2
-	785092	½	3/8" Hydraulic Hose x 92".....(Not Illustrated) ...	2	-
-	785103	½	3/8" Hydraulic Hose x 103".....(Not Illustrated) ...	2	-
-	785099	-	3/8" Hydraulic Hose x 99".....(Not Illustrated) ...	-	2
-	785110	-	3/8" Hydraulic Hose x 110".....(Not Illustrated) ...	-	2
11	301821	59	Leveling Arm -- For 1½" Dia. Rod	2	2
12	301819	19¾	Leveling Arm End with Lock Nut – 1½" Dia. Rod	2	2
-	410032	1	Lock Nut -- 1½" NF Top Lock - Zinc.....(Not Illustrated) ...	2	2
-	413024	¼	Flat Washer -- 1½" - Zinc.....(Not Illustrated) ...	2	2
-	413120	-	Machine Washer -- 2¼" OD x 1½" ID x 10 Ga.....(Not Illustrated) ...	2	2
-	450004	-	1/4" Drive-in Grease Fitting.....(Not Illustrated) ...	2	2
-	401095	-	Form 1 Bushing -- 1-7/8" OD x 1½" ID x 1" Long.(Not Illustrated) ...	4	4
13	301824	1¾	Small Pin -- 1-1/4" x 2½" Stacker Bar	4	4
-	411545	-	Hex Bolt -- 1/2" x 1½" NC - Gr 5 - Zinc.....(Not Illustrated) ...	4	4
-	413508	-	Lock Washer -- 1/2" - Zinc.....(Not Illustrated) ...	4	4
-	413008	-	Flat Washer -- 1/2" - Zinc.....(Not Illustrated) ...	4	4

WING



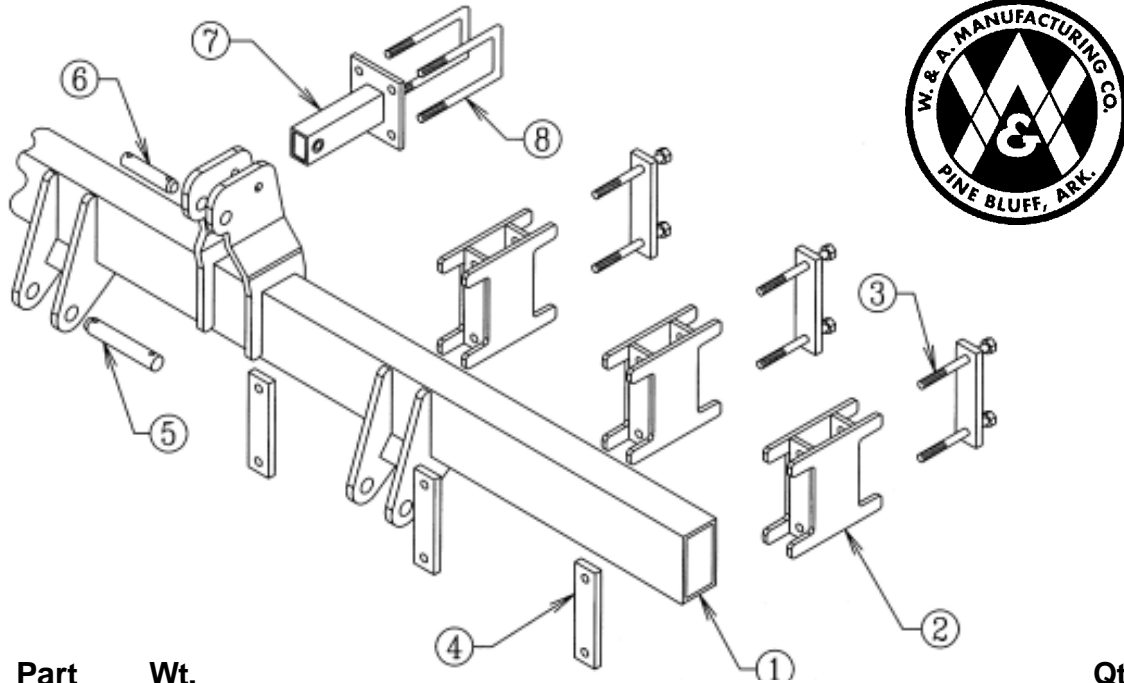
<u>Item No.</u>	<u>Part No.</u>	<u>Wt. Lbs.</u>	<u>Description</u>	<u>Qty. Req'd</u>
4	203948	14¼	2" Pivot Pin x 16¼"	4
-	413124	-	Machine Washer -- 3" OD x 2" ID x 10 Ga.....(Not Illustrated) ...	8
5	416133	-	Roll Pin -- 1/2" x 3½" - Zinc.....	4
14	301898	352	Wing for 38" Row Planter	2
-	301903	374	Wing for 40" & 42" Row Transplanter (84").....(Not Illustrated) ...	2
15	301825	8	Top Pin -- Top Leveling Stacker	2
-	411545	-	Hex Bolt -- 1/2" x 1½" NC - Gr 5 - Zinc.....(Not Illustrated) ..	2
-	413508	-	Lock Washer -- 1/2" - Zinc.....(Not Illustrated) ...	2
-	413008	-	Flat Washer -- 1/2" - Zinc.....(Not Illustrated) ..	2
16	301826	3½	Wing Lock Pin -- Top Leveling Stacker	2
-	416204	-	Klik Pin -- 1/4" - Zinc.....(Not Illustrated) ...	2

USE ONLY



W & A REPLACEMENT PARTS

HITCH ASSEMBLY



Item No.	Part No.	Wt. Lbs.	Description	Qty. Req'd
1	301904	282	Stacker Hitch – 8 Row.....(102").....	1
2	302014	25	5" Spacer Block -- Top Leveling Stacker	6
3	203960	5	Backing Plate -- Top Leveling Stacker	6
-	411604	1¼	Hex Bolt -- 3/4" x 10" NC - Gr 5 - Zinc.....	12
-	412012	-	Hex Nut -- 3/4" - 10 - Gr 2 - Zinc.....(Not Illustrated) ..	12
-	413512	-	Lock Washer -- 3/4" - Zinc.....(Not Illustrated) ..	12
4	203960	5	Backing Plate -- Top Leveling Stacker	6
-	411598	½	Hex Bolt -- 3/4" x 6½" NC - Gr 5 - Zinc.....(Not Illustrated) ..	12
-	412012	-	Hex Nut -- 3/4" - 10 - Gr 2 - Zinc.....(Not Illustrated) ..	12
-	413512	-	Lock Washer -- 3/4" - Zinc.....(Not Illustrated) ..	12
5	200876	3¾	Hardened Pull Pin -- 1-7/16" x 8-3/8" - Zinc	2
-	416207	-	Klik Pin -- 7/16" - Zinc.....(Not Illustrated) ..	2
-	416133	-	Roll Pin -- 1/2" x 3½" - Zinc.....(Not Illustrated) ..	2
6	200853	2	Hardened Top Link Pin -- 1¼" x 5-15/16" - Zinc	1
-	416207	-	Klik Pin -- 7/16" - Zinc.....(Not Illustrated) ..	1
-	416120	-	Roll Pin -- 3/8" x 2" - Zinc.....(Not Illustrated) ..	1
7	301906	10¾	Top Connector – 8 Row @ 38" Only.....(Not Illustrated) ..	1
-	301836	11	Top Connector -- 5" Spacer - Hitch Assm	1
-	411822	¾	Hex Bolt -- 3/4" x 5" NC - Gr 8 - Zinc.....(Not Illustrated) ..	1
-	412012	-	Hex Nut -- 3/4" - 10 - Gr 2 - Zinc.....(Not Illustrated) ..	1
-	413512	-	Lock Washer -- 3/4" - Zinc.....(Not Illustrated) ..	1
8	415006	2	3/4" Sq. U-Bolt x 4" x 8½" Leg - Gr 5 - Zinc	2
-	412012	-	Hex Nut -- 3/4" - 10 - Gr 2 - Zinc.....(Not Illustrated) ..	4
-	413512	-	Lock Washer -- 3/4" - Zinc.....(Not Illustrated) ..	4