

W & A

PARTS MANUAL



LEVEE PLOW

STANDARD DOUBLE

Model No. 848 -- 16 Blade



Quality Products from

W & A MANUFACTURING COMPANY

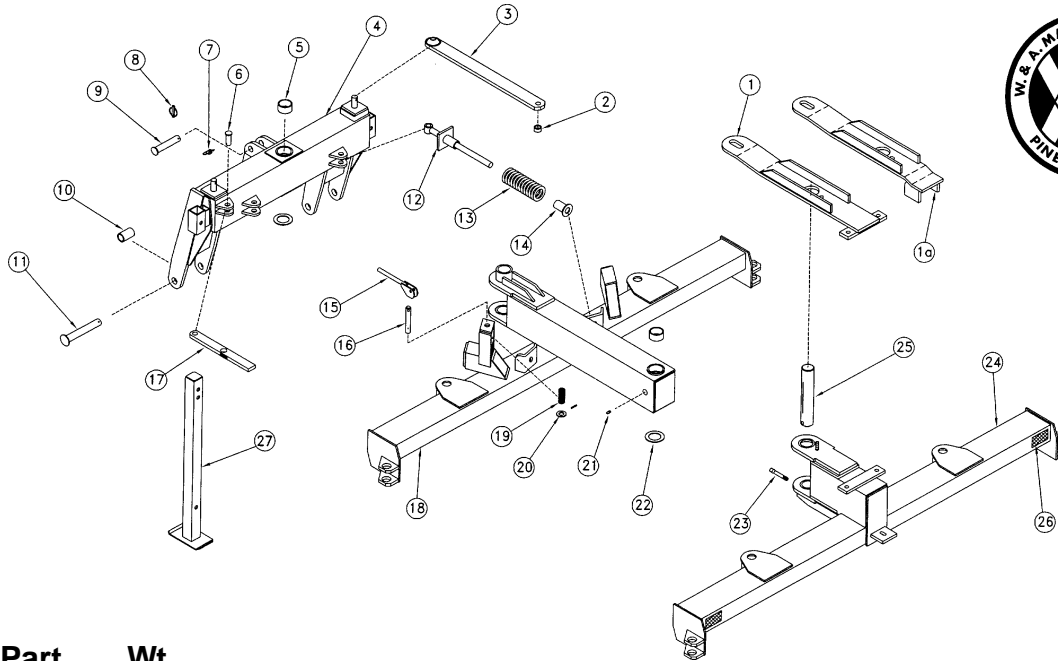
P.O. Box 5238, Pine Bluff, Arkansas 71611

Phone: (870) 534-7420

Fax: (800) 336-1318

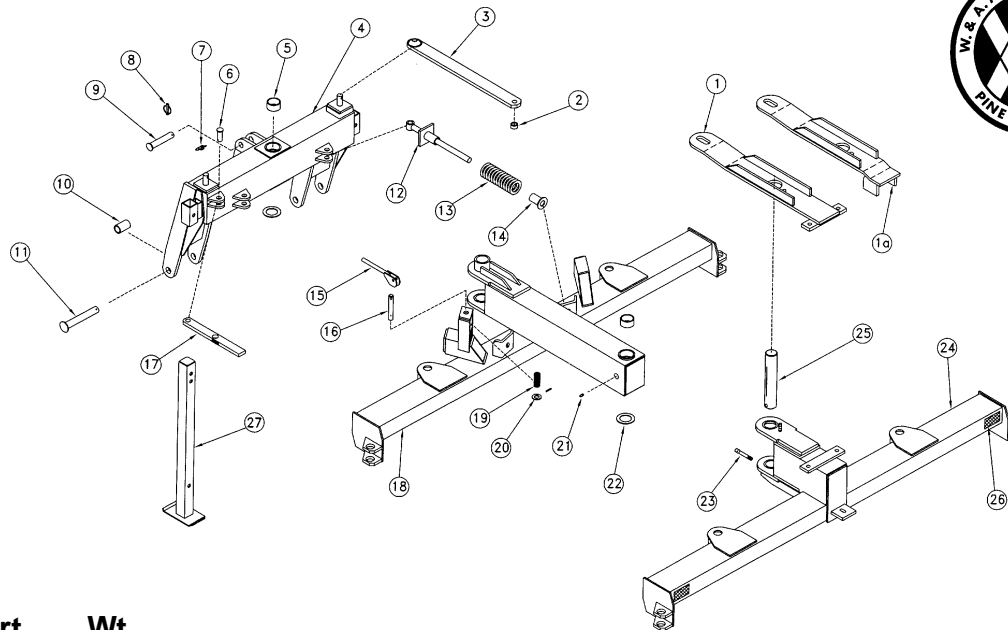
Website: www.wamfgco.com

MAIN FRAME ASSEMBLY



<u>Item No.</u>	<u>Part No.</u>	<u>Wt. Lbs.</u>	<u>Description</u>	<u>Qty. Req'd for 1 Machine</u>
1	800906	47½	Rear Turning Arm.....(2014 & Later).....	1
-	411586	¼	Hex Bolt -- 3/4" x 2½" NC - Gr 5 - Zinc	2
-	410009	-	Lock Nut -- 5/8" - Gr 2 - Zinc	1
-	412012	-	Hex Nut -- 3/4" NC - 10 - Gr 2 - Zinc	2
-	413010	-	Flat Washer -- 5/8" - Zinc	1
-	413512	-	Lock Washer -- 3/4" - Zinc.....	2
1a	800904	50	Rear Turning Arm - Parts Only - 2013 & Earlier (TLP)	-
2	805087	-	Bushing – Stabilizer (TLP).....	1
3	800912	20¼	Stabilizer Bar (TLP)	2
-	411642	1	Hex Bolt -- 1" x 3-1/2" NC - Gr 5 - Zinc	1
-	410016	-	Lock Nut -- 1" NC - Top Lock - Zinc	1
-	416207	-	Klik Pin -- 7/16" - Zinc	2
4	800902	315	Three Point Swivel Hitch (TLP).....	1
-	805085	19	Pivot Pin -- 2½" x 14-1/8" w/Groove (TLP)..... (See Key 25)	1
-	461123	-	Warning Decal -- Operator's Manual	1
-	461138	-	Danger Decal -- Crushing Hazard.....	1
5	401134	-	Hard Bushing -- 2½" Double Levee Plow	4
6	416659	½	Clevis Pin -- 1" x 2-21/32" - Zinc.....(Used with #17)	1
7	416309	-	Rue Ring Cotter Pin -- 1" - Zinc.....(Used with #17)	1

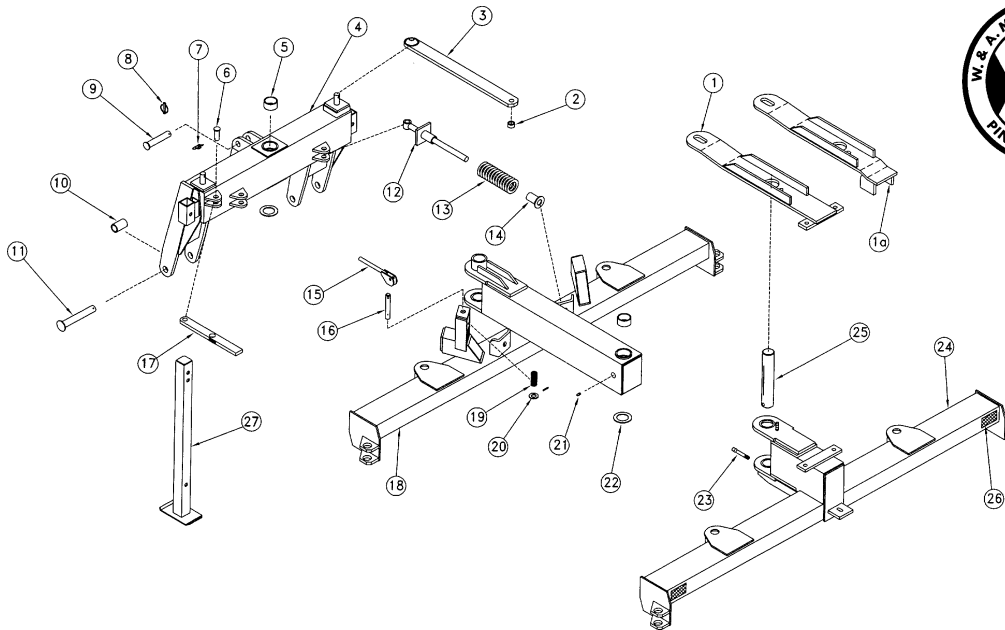
MAIN FRAME ASSEMBLY (Continued)



Item No.	Part No.	Wt. Lbs.	Description	Qty. Req'd for 1 Machine
8	416207	-	Klik Pin -- 7/16" - Zinc(Used with #9)	1
9	416698	2	1¼" Top Link Pin - Zinc	1
10	805086	-	Spacer (TLP)	2
11	300841	4	Hitch Pin -- 1-7/16" x 9"	2
-	416207	-	Klik Pin -- 7/16" - Zinc	2
12	800942	7	Spring Rod (TLP).....(Hitch to Front Bar)	2
-	416662	¾	Clevis Pin -- 1" x 3½" - Zinc	2
-	416309	-	Rue Ring Cotter Pin -- 1" - Zinc	2
13	471095	7½	Compression Spring -- 5/8" x 10¼"	2
14	800943	-	Locator for Spring (TLP)	2
15	800913	2	Transport Lock Handle (TLP)	1
-	411547	-	Hex Bolt -- 1/2" x 2" NC - Gr 5 - Zinc	1
-	410008	-	Lock Nut -- 1/2" NC - Zinc	1
-	413016	-	Flat Washer -- 1" - Zinc	1
-	461100	-	Decal -- Travel / Plow	2
16	805084	1¼	Transport Lock Pin -- 1" (TLP)	1
-	411184	-	Hex Bolt -- 1/2" x 2" NC - Gr 5 - Zinc	1
-	410008	-	Lock Nut -- 1/2" NC - Zinc	1
17	800914	7	Transport Bar (TLP)	1

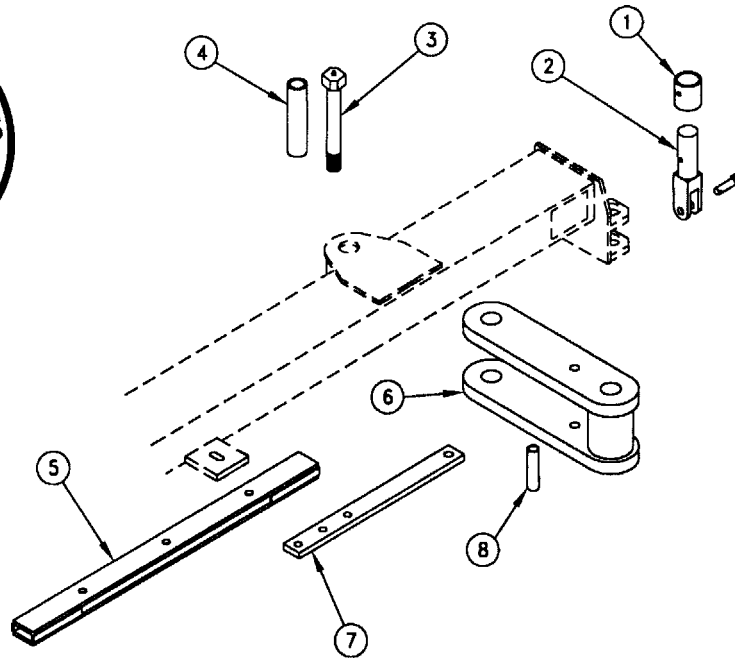
MAIN FRAME ASSEMBLY

(Continued)



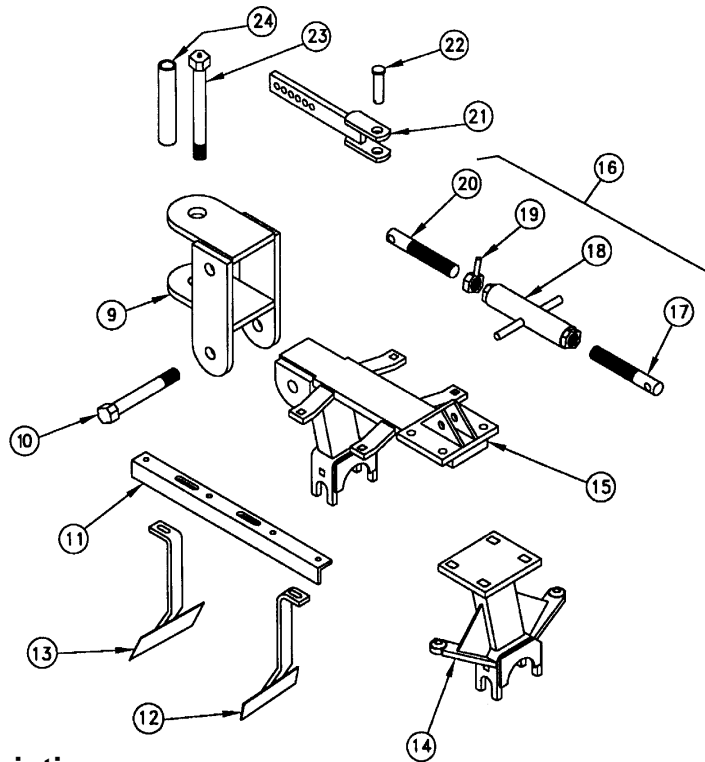
<u>Item No.</u>	<u>Part No.</u>	<u>Wt. Lbs.</u>	<u>Description</u>	<u>Qty. Req'd for 1 Machine</u>
18	800947	586	Front Tool Bar	1
19	471085	¼	Compression Spring -- 3/16" x 1-1/16" x 3½"	1
20	413115	-	Machine Washer -- 1½" OD x 1" ID x 14 Ga	1
-	416003	-	Cotter Pin -- 5/32" x 1¾"	1
21	450004	-	1/4" Drive-in Grease Fitting	1
22	413132	-	Machine Washer -- 3-7/8" OD x 2½" ID x 10 Ga	2
23	411566	¼	Hex Bolt -- 5/8" x 4" NC - Gr. 5 - Zinc	2
-	413510	-	Lock Washer -- 5/8" - Zinc	2
-	412010	-	Hex Nut -- 5/8" - 11 - Gr 2 - Zinc	2
24	800948	468	Rear Tool Bar	1
25	805085	19	Pivot Pin -- 2-1/2" x 14-1/8" w/Groove (TLP).....(same pin - front & rear)	2
26	461201	-	Decal -- Red Reflector - 4½" x 2"	2
-	461200	-	Decal -- Amber Reflector - 4½" x 2".....(front of Front Bar)	2
27	800903	20½	Parking Stand - Double Levee Plow	2
N/I	416230	¾	3/4" Safety Lock Pin x 5½" OAL - Zinc	2

MAIN FRAME PARTS



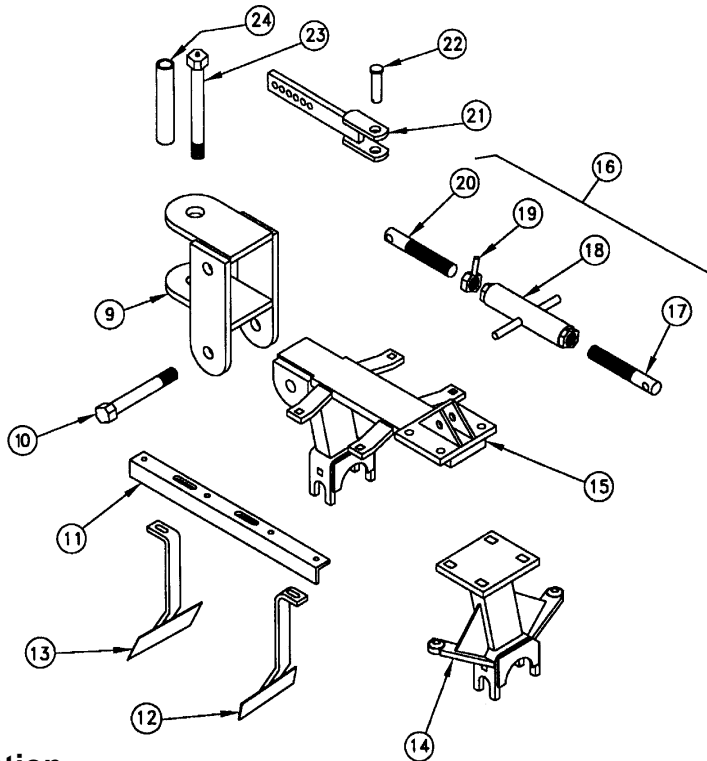
<u>Item No.</u>	<u>Part No.</u>	<u>Wt. Lbs.</u>	<u>Description</u>	<u>Qty. Req'd for 1 Machine</u>
1	802306	½	Bushing - Levee Plow	4
-	411150	-	Hex Bolt -- 3/8" x 3" NC - Gr. 2 - Zinc	4
-	413506	-	Lock Washer -- 3/8" - Zinc	4
-	412006	-	Hex Nut -- 3/8" - 16 - Gr 2 - Zinc	4
2	800192	6	Draft Angle Swivel - Levee Plow	4
-	416630	¼	Clevis Pin -- 5/8" x 2¼" - Zinc	4
-	416306	-	Rue Ring Cotter Pin -- 5/8" - Zinc	4
3	802371	3	Drilled Bolt -- 1¼" x 9" w/Grease Fitting	4
-	413020	-	Flat Washer -- 1¼" - Zinc	8
-	412120	½	Slotted Nut -- 1¼" - 7 - Gr. 2 - Reg. - Zinc	4
-	416005	-	Cotter Pin - 1/4" x 2" - Zinc	4
-	450004	-	1/4" Drive-In Grease Fitting	4
4	802303	2½	Pivot Support Bushing x 7¼" - Levee Plow.....(1¾" OD)	4
5	800187	21	Slide Bar Housing - Levee Plow	2
-	416630	¼	Clevis Pin -- 5/8" x 2¼" - Zinc	6
-	416306	-	Rue Ring Cotter Pin -- 5/8" - Zinc	6
6	800409	65	Pivot Bracket Support -- 4" x 7" Bar - Levee Plow	4
7	802302	6	Slide Bar - 8 Blade Levee Plow	4
8	805224	½	Spacer -- 3/4" Pipe x 2-1/16" - Double Levee Plow	8
-	411601	1	Hex Bolt -- 3/4" x 8½" NC - Gr. 5 - Zinc	4
-	413512	-	Lock Washer -- 3/4" - Zinc	4
-	412012	-	Hex Nut -- 3/4" - 10 - Gr 2 - Zinc	4

GANG FRAMES



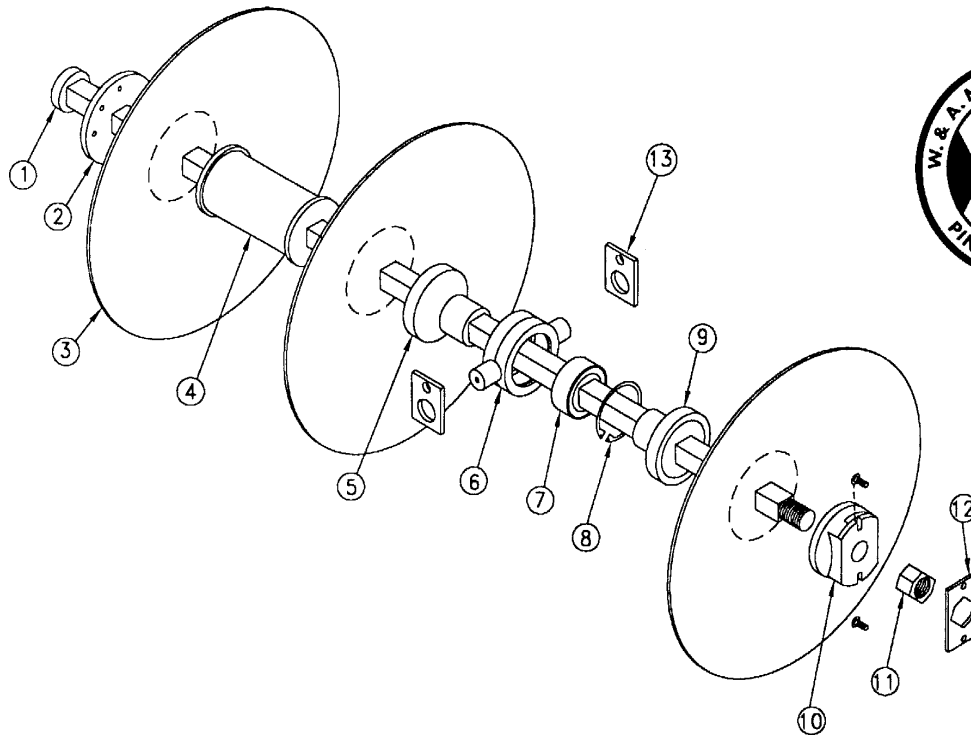
Item No.	Part No.	Wt. Lbs.	Description	Qty. Req'd for 1 Gang
9	800408	56	Pivot Bracket -- 4" x 7" Bar - Levee Plow	1
10	802562	3	Hex Bolt -- 1¼" x 9" w/Cotter Pin Hole	1
-	413020	-	Flat Washer -- 1¼" - Zinc	2
-	412120	½	Slotted Nut -- 1¼" - 7 - Gr 2 - Reg - Zinc	1
-	416005	-	Cotter Pin -- 1/4" x 2" - Zinc	1
11	802309	11	Scraper Bar – RH - 8 Blade Levee Plow	1
-	802363	11	Scraper Bar – LH - 8 Blade Levee Plow	1
-	411790	¼	Carriage Bolt -- 5/8" x 2" NC - Gr 5 - Zinc	2
-	413510	-	Lock Washer -- 5/8" - Zinc	2
-	412010	-	Hex Nut -- 5/8" - 11 - Gr 2 - Zinc	2
12	800202	4½	Levee Plow Scraper - RH	3
-	800203	4½	Levee Plow Scraper - LH	3
-	411785	-	Carriage Bolt -- 1/2" x 1½" NC - Gr. 5 - Zinc	3
-	413508	-	Lock Washer -- 1/2" - Zinc	3
-	412008	-	Hex Nut -- 1/2" - 13 - Gr 2 - Zinc	3
13	800200	4½	End Scraper - RH - Levee Plow	1
-	800201	4½	End Scraper - LH - Levee Plow	1
-	411785	-	Carriage Bolt -- 1/2" x 1½" NC - Gr. 5 - Zinc	1
-	413508	-	Lock Washer -- 1/2" - Zinc	1
-	412008	-	Hex Nut -- 1/2" - 13 - Gr 2 - Zinc	1
14	800198	37	Bearing Riser - Levee Plow	1
-	411794	½	Carriage Bolt -- 3/4" x 3½" NC - Gr. 5 - Zinc	4
-	413512	-	Lock Washer -- 3/4" - Zinc	4
-	412012	-	Hex Nut -- 3/4" - 10 - Gr 2 - Zinc	4

GANG FRAMES (Continued)



Item No.	Part No.	Wt. Lbs.	Description	Qty. Req'd for 1 Gang
15	800197	78	Gang Frame - 8 Blade Levee Plow	1
16	505019	13½	Turnbuckle Complete - 8 Blade Levee Plow	1
17	802308	4	Turnbuckle Stud – LH - 1-3/8" x 9" - Levee Plow	1
-	416640	½	Clevis Pin -- 3/4" x 3" - Zinc	1
-	416309	-	Rue Ring Cotter Pin -- 1" - Zinc	1
18	800196	8½	Turnbuckle Body - 11-1/2" - Levee Plow	1
-	450004	-	1/4" Drive-In Grease Fitting	2
19	800249	½	Jam Nut -- 1-3/8" (Adj) - Levee Plow Turnbuckle	1
20	802307	4	Turnbuckle Stud - RH - 1-3/8" x 9" - Levee Plow	1
-	416640	½	Clevis Pin -- 3/4" x 3" - Zinc	1
-	416309	-	Rue Ring Cotter Pin -- 1" - Zinc	1
21	800194	9	Draft Angle - Levee Plow	1
22	416662	1	Clevis Pin -- 1" x 3½" - Zinc	1
-	416309	-	Rue Ring Cotter Pin -- 1" - Zinc	1
23	802372	4½	Drilled Bolt -- 1¼" x 11" w/Grease Fitting	1
-	413020	-	Flat Washer -- 1¼" - Zinc	2
-	412120	½	Slotted Nut -- 1¼" - 7 - Gr. 2 - Reg. - Zinc	1
-	416005	-	Cotter Pin - 1/4" x 2" - Zinc	1
-	450004	-	1/4" Drive-In Grease Fitting	1
24	802304	3	Pivot Bracket Bushing x 9" - Levee Plow.....(1-3/4" OD)	1

GANG PARTS



<u>Item No.</u>	<u>Part No.</u>	<u>Wt. Lbs.</u>	<u>Description</u>	<u>Qty. Req'd for 1 Gang</u>
1	478114	21	1½" Sq. x 31¼" NF Axle w/Nut - 8 Blade Levee Plow	1
2	802384	7	Bumper Washer - Levee Plow	1
3	473230	41½	24" x 5/16" RFC Plain Blade - 1½" Sq. Ctr. Hole	4
4	800193	10½	Spacer Spool -- 9" - Levee Plow	1
5	802005	7	Large End Bell - Levee Plow	2
6	802006	7	Bearing Housing - Levee Plow	2
-	505001	9½	Bearing & Housing Assembly - Levee Plow	2
7	481213	2½	Bearing - 1½" Sq. Bore - GW211PP3	2
8	483393	-	Retaining Ring - LP & 1½" Axle Bedder	2
9	802004	6	Small End Bell - Levee Plow	2
10	802256	6½	End Gang Washer - Levee Plow	1
11	412824	1	Hex Nut -- 1½" - 12 - Gr. 5 - Zinc	1
12	802340	1	Lock Plate - Levee Plow	1
-	411711	-	Carriage Bolt -- 3/8" x 1" NC - Gr. 2 - Zinc	2
-	413506	-	Lock Washer -- 3/8" - Zinc	2
-	412006	-	Hex Nut -- 3/8" - 16 - Gr 2 - Zinc	2
13	802044	1	Trunion Housing Clamp - Levee Plow	4
-	411790	-	Carriage Bolt -- 5/8" x 2" NC - Gr 5 - Zinc	4
-	412010	-	Hex Nut -- 5/8" - 11 - Gr 2 - Zinc	4
-	413510	-	Lock Washer -- 5/8" - Zinc	4