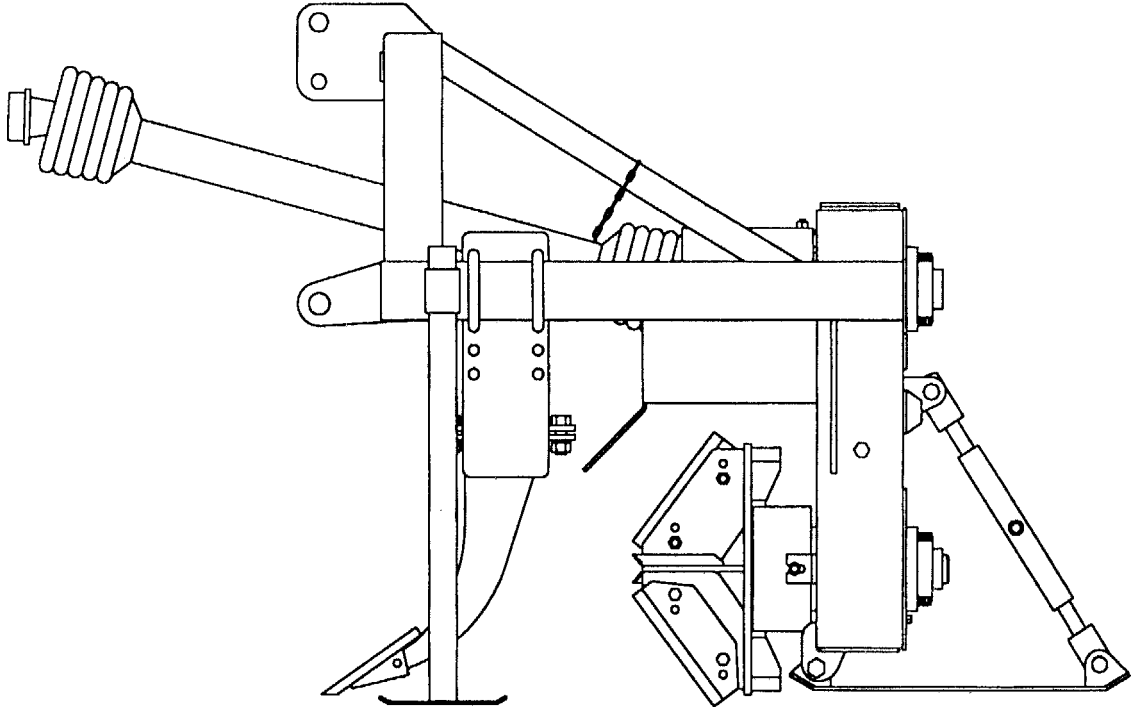


W & A

PARTS MANUAL



PTO POWER DITCHER

FOR CAT. II OR III STANDARD & QUICK HITCH

Model No. 360 -- 540 RPM
Model No. 370 -- 1,000 RPM



Quality Products from

W & A MANUFACTURING COMPANY

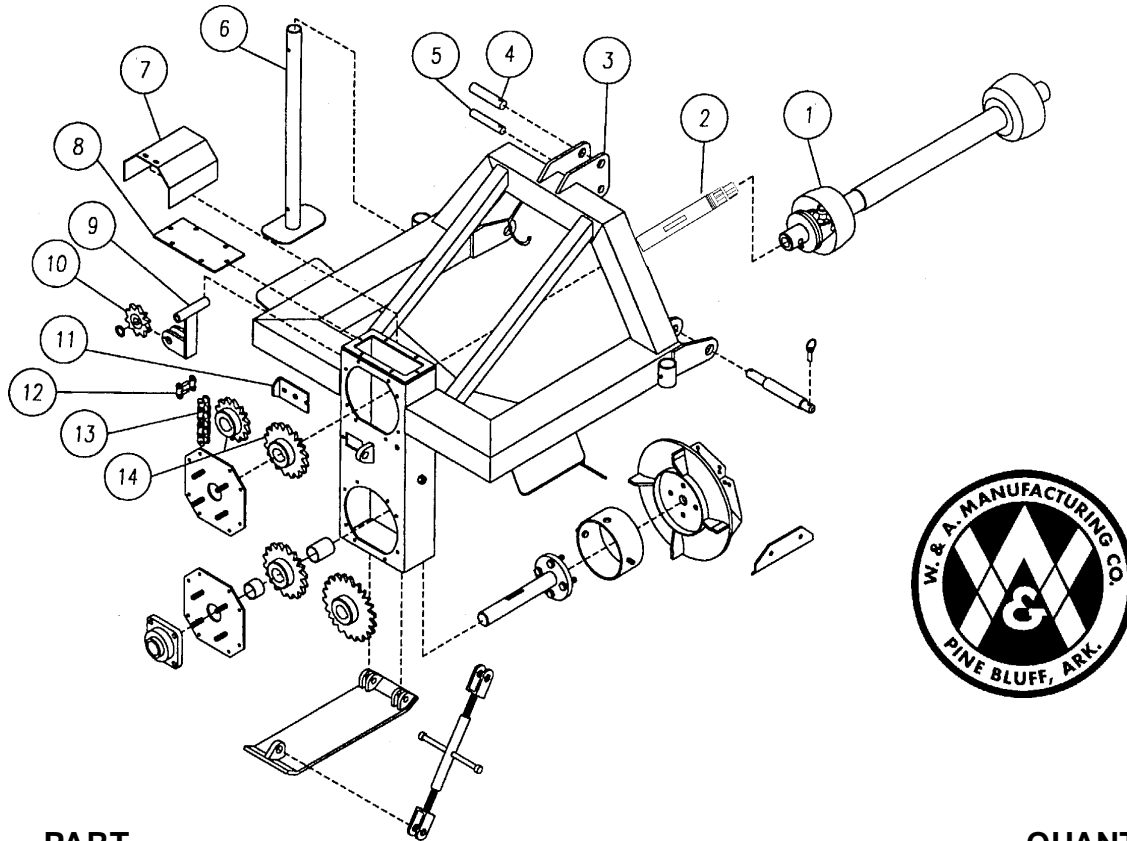
P.O. Box 5238, Pine Bluff, Arkansas 71611

Phone: (870) 534-7420

Fax: (800) 336-1318

Website: www.wamfgco.com

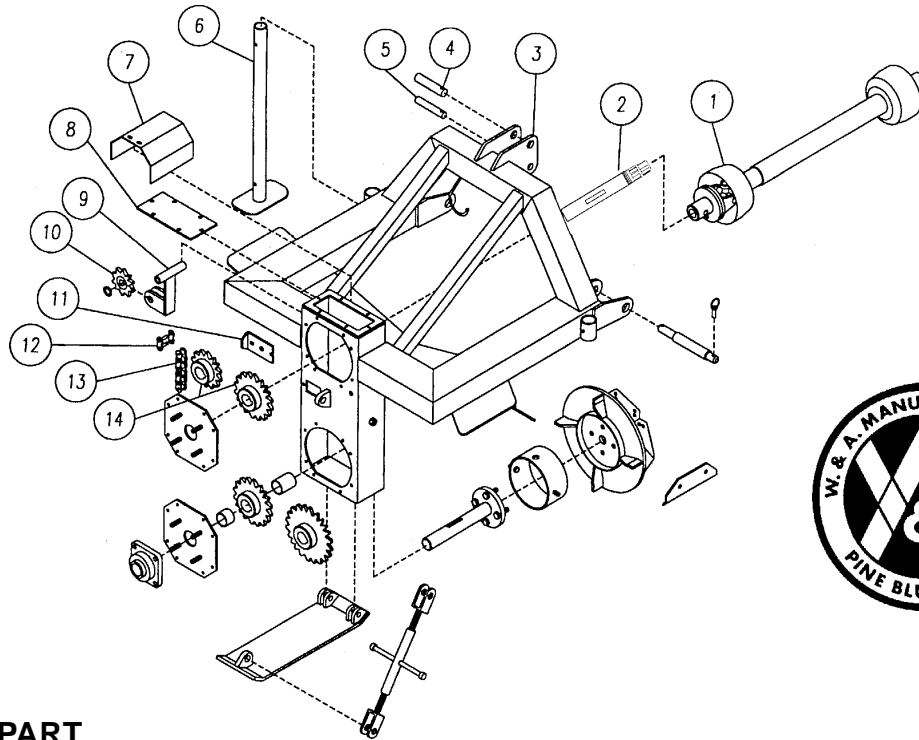
PTO DITCHER 360 & 370



REF. NO.	PART NO.	DESCRIPTION	QUANTITY	
			360	370
1	403225	540 RPM PTO Assembly -- 1-3/8" - 6 Spline	1	-
-	403227	1000 RPM PTO Assembly -- 1-3/8" - 21 Spline	-	1
-	403229	1000 RPM PTO Assembly -- 1-3/4" - 20 Spline	-	OP
2	402866	Upper Drive Shaft with Spline	1	1
-	483260	Retaining Ring -- 1-15/16"(Not Illustrated)	1	1
3	800510	Main Frame - Ditcher	1	1
4	416698	1 1/4" Top Link Pin - Zinc	1	1
5	416666	Clevis Pin -- 1" x 4 1/2" - Zinc	1	1
6	800524	Parking Stand - Ditcher	2	2
-	416228	1/2" Safety Lock Pin x 5-1/2" OAL - Zinc.....(Not Illustrated)	2	2
7	804563	PTO Shield - Ditcher	1	1
-	412006	Hex Nut -- 3/8" - 16 - Gr 2 - Zinc.....(Not Illustrated)	2	2
-	413506	Lock Washer -- 3/8" - Zinc.....(Not Illustrated)	2	2
-	413006	Flat Washer -- 3/8" - Zinc.....(Not Illustrated)	2	2
8	804545	Chain Housing Cover - Ditcher	1	1
-	445054	Gasket Cover - Ditcher.....(Not Illustrated)	1	1
-	411505	Hex Bolt -- 3/8" x 3/4" NC - Gr 5 - Zinc.....(Not Illustrated)	6	6
-	413506	Lock Washer -- 3/8" - Zinc.....(Not Illustrated)	6	6

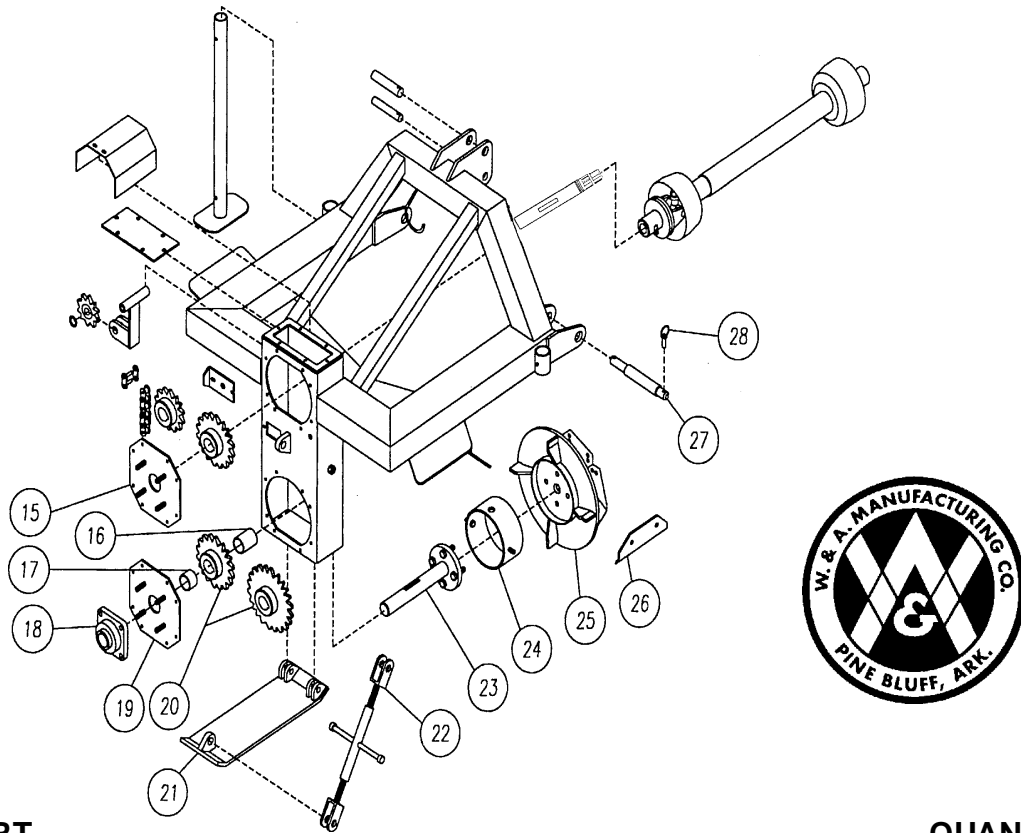
PTO DITCHER 360 & 370

(Continued)



REF. NO.	PART NO.	DESCRIPTION	QUANTITY	
			360	370
9	701515	Idler Assembly - Ditcher...(Complete with Sprocket)	1	1
-	800516	Idler Weld - Ditcher.....(Not Illustrated)	1	1
-	414830	Set Screw -- 5/8" x 2 1/2" NC - Sq. Head - Zinc.....(Not Illustrated)	1	1
-	412410	Jam Nut -- 5/8" - 11 - Gr 2 - Zinc.....(Not Illustrated)	1	1
-	411573	Hex Bolt -- 5/8" x 7" NC - Gr 5 - Zinc.....(Not Illustrated)	1	1
-	410009	Lock Nut -- 5/8" NC - Gr 2 - Zinc.....(Not Illustrated)	1	1
10	403080	10 Tooth Idler Sprocket w/Brg. - Ditcher	1	1
-	411641	Hex Bolt -- 1" x 3" NC - Gr 5 - Zinc.....(Not Illustrated)	1	1
-	410016	Lock Nut -- 1" NC - Top Lock - Zinc.....(Not Illustrated)	1	1
-	413115	Machine Washer -- 1 1/2" OD x 1" ID x 14 Ga.....(Not Illustrated)	4	4
11	804546	Inspection Cover - Ditcher	1	1
-	445055	Gasket Inspection Cover - Ditcher.....(Not Illustrated)	1	1
-	411506	Hex Bolt -- 3/8" x 1" - Gr 5 - Zinc.....(Not Illustrated)	2	2
-	413506	Lock Washer -- 3/8" - Zinc.....(Not Illustrated)	2	2
-	413006	Flat Washer -- 3/8" - Zinc.....(Not Illustrated)	2	2
-	456158	Vented Plug - 1/2" - Ditcher.....(Not Illustrated)	1	1
12	402101	Connector Link for RC100 Chain	1	1
13	701516	#100 Chain - 49 Links w/Con Link - Ditcher...(61 1/4")	1	1
14	403084	14 Tooth Sprocket w/Hub for RC100 - Ditcher.....(1-15/16 Bore)	-	1
-	403088	18 Tooth Sprocket w/Hub for RC100 - Ditcher.....(1-15/16 Bore)	1	-
-	403820	Square Key -- 1/2" x 1 3/4".....(Not Illustrated)	1	1

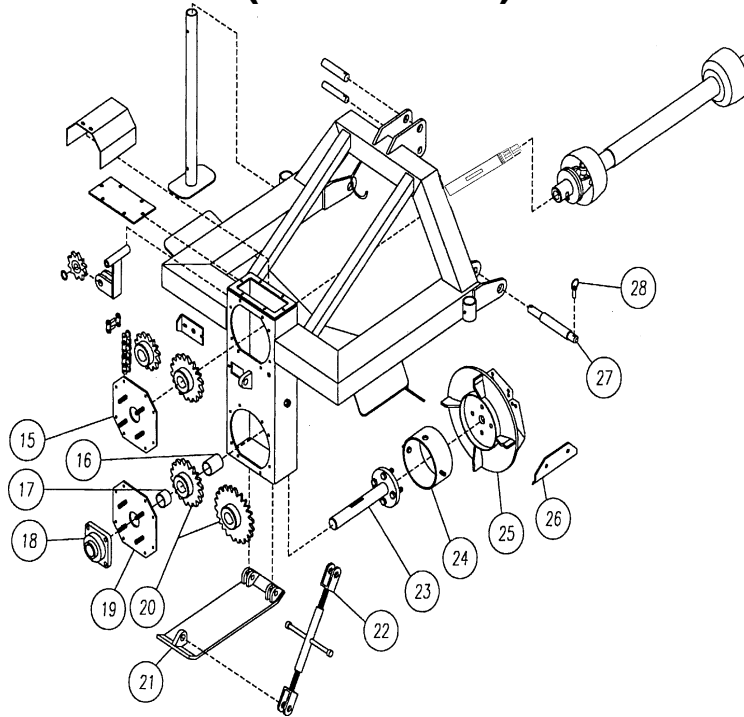
PTO DITCHER 360 & 370



REF. NO.	PART NO.	DESCRIPTION	QUANTITY	
			360	370
15	800512	Upper Bearing Plate - Ditcher	1	1
-	445052	Gasket for Bearing Plate - Ditcher.....(Not Illustrated)	1	1
-	411505	Hex Bolt -- 3/8" x 3/4" NC - Gr 5 - Zinc.....(Not Illustrated)	8	8
-	413506	Lock Washer -- 3/8" - Zinc.....(Not Illustrated)	8	8
16	804548	Rear Sprocket Spacer - 3" - Ditcher	2	2
17	804547	Front Sprocket Spacer - 1-13/16" - Ditcher	2	2
-	413123	Machine Washer -- 3" OD x 2" ID x 14 Ga.....(Not Illustrated)	4	4
18	482215	Bearing & Housing Asmb - Ditcher(1-15/16 Bore W/Cam Lock)	4	4
-	445050	Gasket Bearing - Ditcher.....(Not Illustrated)	4	4
-	481215	1-15/16" Bearing w/Lock Collar.....(Not Illustrated)	-	-
-	412059	Hex Nut -- 9/16" - 12 - Gr 5 - Zinc.....(Not Illustrated)	16	16
-	413509	Lock Washer -- 9/16" - Zinc.....(Not Illustrated)	16	16
19	800513	Bottom Bearing Plate - Ditcher	1	1
-	445052	Gasket for Bearing Plate - Ditcher.....(Not Illustrated)	1	1
-	411505	Hex Bolt -- 3/8" x 3/4" NC - Gr 5 - Zinc.....(Not Illustrated)	8	8
-	413506	Lock Washer -- 3/8" - Zinc.....(Not Illustrated)	8	8
-	456204	Square Pipe Plug - 1/4 NPT.....(Not Illustrated)	1	1
20	403092	22 Tooth Sprocket w/Hub for RC100 - Ditcher.....(1-15/16 Bore)	-	1
-	403088	18 Tooth Sprocket w/Hub for RC100 - Ditcher.....(1-15/16 Bore)	1	-
-	403820	Square Key -- 1/2" x 3/4".....(Not Illustrated)	1	1

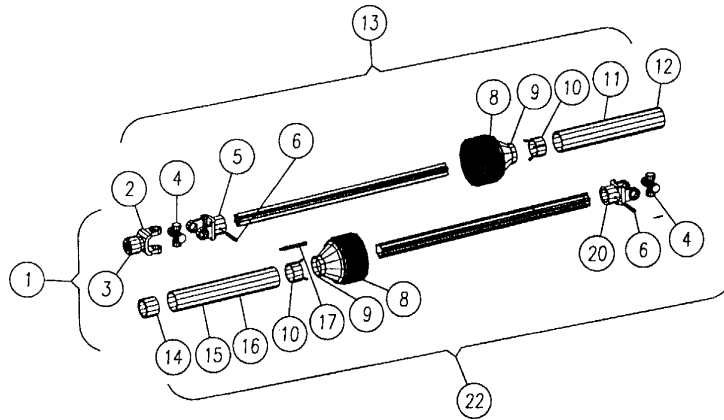
PTO DITCHER 360 & 370

(Continued)



REF. NO.	PART NO.	DESCRIPTION	QUANTITY	
			360	370
21	800523	Adjustable Skid Shoe - Ditcher	1	1
-	411586	Hex Bolt -- 3/4" x 2 1/2" NC - Gr 5 - Zinc.....(Not Illustrated)	2	2
-	410012	Lock Nut -- 3/4" NC - Gr 2 - Zinc.....(Not Illustrated)	2	2
22	498119	Screw Jack - Ditcher	1	1
-	416659	Clevis Pin -- 1" x 2-21/32" - Zinc.....(Not Illustrated)	2	2
-	416012	Cotter Pin - 3/16" x 1 1/2".....(Not Illustrated)	2	2
23	800519	Lower Drive Shaft - Ditcher	1	1
24	800522	Bearing Shield - Ditcher	1	1
-	412008	Hex Nut -- 1/2" - 13 - Gr 2 - Zinc.....(Not Illustrated)	2	2
-	413508	Lock Washer -- 1/2" - Zinc.....(Not Illustrated)	2	2
-	413008	Flat Washer -- 1/2" - Zinc.....(Not Illustrated)	2	2
25	800521	Cutting Head - Ditcher	1	1
-	412810	Hex Nut -- 5/8" UNF - Gr 2 - Zinc.....(Not Illustrated)	4	4
-	413510	Lock Washer -- 5/8" - Zinc.....(Not Illustrated)	4	4
26	474200	Blade - Ditcher	4	4
-	411544	Hex Bolt -- 1/2" x 1 1/4" NC - Gr 5 - Zinc.....(Not Illustrated)	8	8
-	412008	Hex Nut -- 1/2" - 13 - Gr 2 - Zinc.....(Not Illustrated)	8	8
-	413508	Lock Washer -- 1/2" - Zinc.....(Not Illustrated)	8	8
27	416715	Lower Pull Pin Cat. II & III - Zinc	2	2
28	416207	Klik Pin -- 7/16" - Zinc.....	2	2

PTO ASSEMBLY

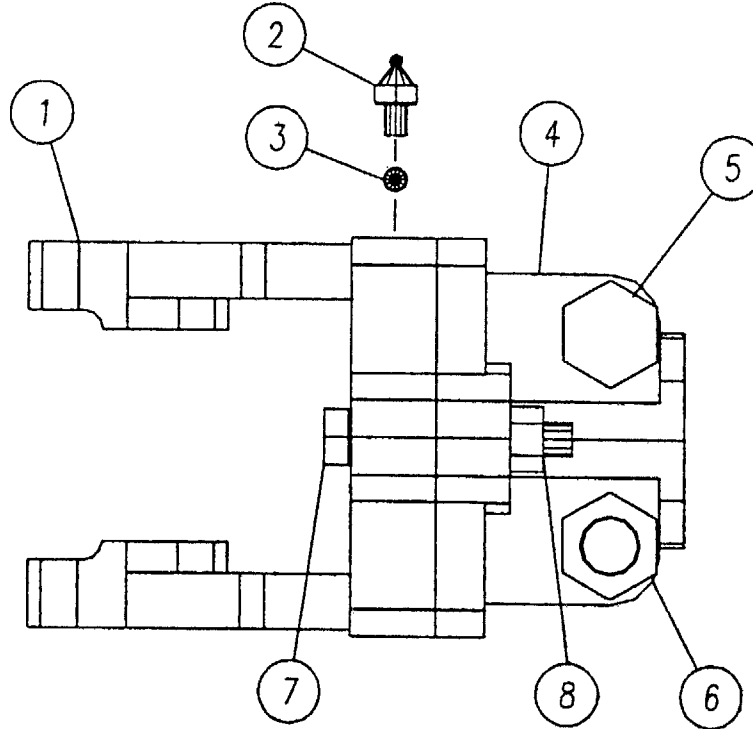


REF. NO.	PART NO.	DESCRIPTION	QTY
1	403225	540 RPM PTO Assembly -- 1-3/8" - 6 Spline	1
-	403227	1000 RPM PTO Assembly -- 1-3/8" - 21 Spline	1
-	403229	1000 RPM PTO Assembly -- 1-3/4" - 20 Spline	1
2	403239	Lock Yoke Assembly -- 1-3/8" - 6 Spline	1
-	403240	Lock Yoke Assembly -- 1-3/8" - 21 Spline	1
-	403241	Lock Yoke Assembly -- 1-3/4" - 20 Spline	1
3	403242	Lock Yoke Repair Kit -- 1-3/8"	1
-	403243	Lock Yoke Repair Kit -- 1-3/4"	1
4	403244	Cross & Bearing Kit	2
5	403245	Inboard Yoke - S4	1
6	403246	Spring Pin -- 10 x 90 (No Longer Available)	2
8	403254	Shield Cone (7 Rib) OBSOLETE: See 403265 below	2
9	403259	Screw OBSOLETE: See 403265 below	2
10	403255	Bearing Kit for 403265 Safety Shield	1
11	461082	DANGER DECAL - Rotating Driveline - Outer	1
12	403256	Outer Shield Tube (Oval) OBSOLETE: See 403265 below	1
13	403231	Tractor Half PTO -- 1-3/8" - 6 Spline	1
-	403232	Tractor Half PTO -- 1-3/8" - 21 Spline	1
-	403233	Tractor Half PTO -- 1-3/4" - 20 Spline	1
14	403258	Support Bearing OBSOLETE: See 403265 below	1
15	403237	Inner Tube Shield w/Cap OBSOLETE: See 403265 below	1
16	461083	DANGER DECAL - Guard Missing - Inner	1
17	403257	Safety Chain - Ditcher	1
20	403252	Inboard Yoke - S5 (No Longer Available)	1
N/I	403235	Shear Bolt - Clutch (No Longer Available)	1
22	403234	PTO Implement Half Complete	1
N/I	403265	PTO Plastic Safety Shield Complete (Less: Bearings)	1

SHEAR BOLT CLUTCH ASSEMBLY

Number 403235 -- NO LONGER AVAILABLE

This is only available as part of Implement Half #403234



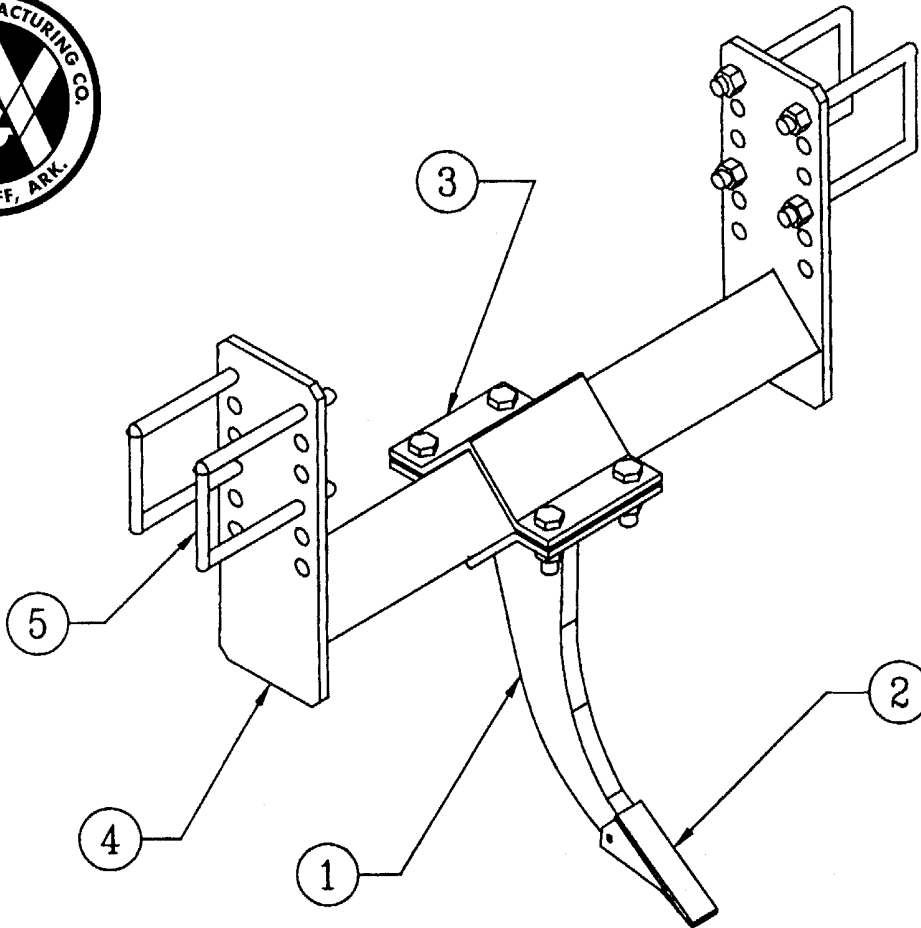
<u>REF. NO.</u>	<u>PART NO.</u>	<u>DESCRIPTION</u>	<u>QTY</u>
* 1	403247	Shear Yoke (No Longer Available)	1
2	403248	Grease Zerk M10	1
* 3	403249	Shear Clutch Ball .3125" (No Longer Available)	24
* 4	403250	Hub -- 1-3/4" - 20 Spline (No Longer Available)	1
-	403236	Hub -- 1-1/2" Smooth with Keyway	-
5	403262	Hex HD Cap Screw -- M16 x 80	2
6	410616	Hex Lock Nut -- M16 - Zinc	2
7	403261	Hex HD Cap Screw -- M10 x 60	1
8	410610	Hex Lock Nut -- M10 - Zinc	1

*** No longer available except as part of assembly #403234**

SHANK ASSEMBLY

701524 -- Complete Shank Assembly Part No.

(For individual parts -- See below)



<u>REF. NO.</u>	<u>PART NO.</u>	<u>DESCRIPTION</u>	<u>QTY</u>
1	800526	Shank - Ditcher	1
2	475030	Shank Point.....	1
-	416110	Roll Pin -- 5/16" x 1½" - Zinc.....(Not Illustrated) ...	1
3	804566	Clamp for Shank - Ditcher	1
-	411584	Hex Bolt -- 3/4" x 2" NC - Gr. 5 - Zinc	4
-	412012	Hex Nut -- 3/4" -10 - Gr 2 -Zinc.....(Not Illustrated) ...	12
-	413512	Lock Washer -- 3/4" - Zinc.....(Not Illustrated) ...	12
4	800527	Shank Mount Tube - Ditcher	1
5	415014	3/4" Sq. U Bolt x 4" x 7¾" Leg	4