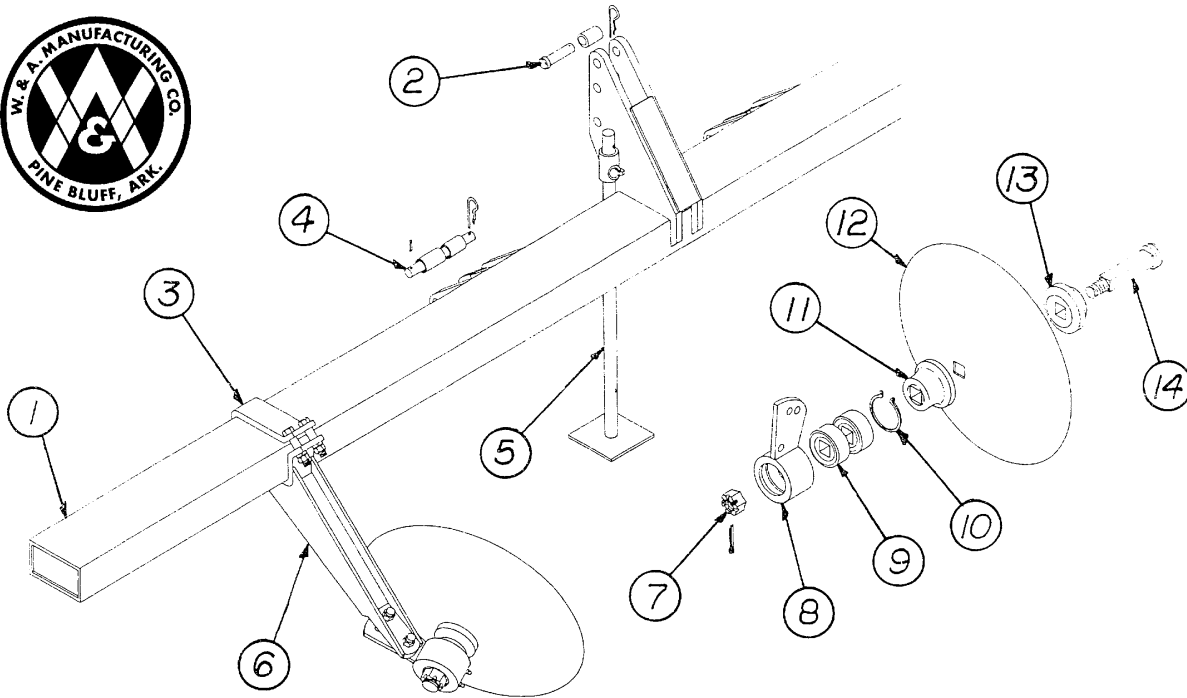


WATER FURROW PLOW

Model No. 990

0990 - Water Furrow Plow

WATER FURROW PLOW

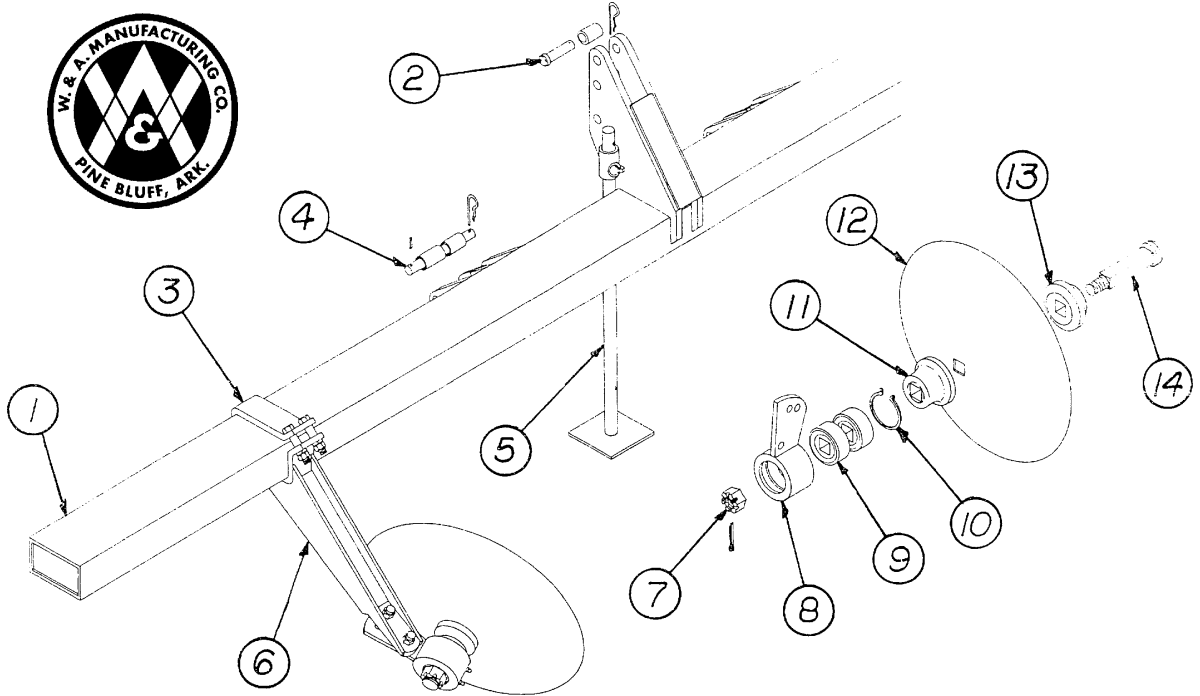


<u>Item No.</u>	<u>Part No.</u>	<u>Wt. Lbs.</u>	<u>Description</u>	<u>Qty. Req'd</u>
1	800640	350	Main Frame – 17' Bar - Water Furrow Plow	1
2	416666	1½	Clevis Pin -- 1" x 4½" - Zinc	1
-	416309	-	Rue Ring Cotter Pin -- 1" - Zinc	3
-	201799	-	Cat III Bushing -- 1¼" OD x 2-1/8" Long	1
3	407012	8	Backing Clamp 4 x 7 Bar -- ¾"	2
-	411565	½	Hex Bolt -- 5/8" x 3½" NC - Gr. 5 - Zinc	8
-	412010	-	Hex Nut -- 5/8" - 11 - Gr 2 - Zinc	8
-	413510	-	Lock Washer -- 5/8" - Zinc	8
4	201360	2½	Hitch Pin -- 1-1/8" x 9"	2
-	201666		Bushing -- 1½" OD x 1-1/8" ID x 3-1/8" Long	2
-	201665		Bushing -- 1-7/16" OD x 1-1/8" ID x 2" Long	2
-	201548	3	Center Pull Plate	2
-	411214	¼	Hex Bolt -- 5/8" x 2" NC - Gr 2 - Zinc	4
-	412010	-	Hex Nut -- 5/8" - 11 - Gr 2 - Zinc	4
-	413510	-	Lock Washer -- 5/8" - Zinc	4
5	800185	9	Parking Stand - Levee Plow	1
-	416208	½	Safety Lock Pin	1
6	800216	40	Leg - Water Furrow Plow	2

0990 - Water Furrow Plow

WATER FURROW PLOW

(Continued)



<u>Item No.</u>	<u>Part No.</u>	<u>Wt. Lbs.</u>	<u>Description</u>	<u>Qty. Req'd</u>
7	412124	1	Slotted Nut -- 1½" - 6 - Gr 2 - Reg - Zinc	2
-	416005	-	Cotter Pin -- 1/4" x 2" - Zinc	2
8	800217	10½	Bearing Housing - Water Furrow Plow	2
9	481213	2½	Bearing -- 1½" Sq. Bore - GW211PP3.....	4
10	483393		Retaining Ring - LP & 1½" Axle Bedder	2
11	803267	9	Concave End Bell - Water Furrow Plow	2
12	473252	32½	24" x 1/4" Plain Blade - Concave - 1½" Sq. Ctr. Hole	2
13	803266	4	Convex Axle Washer - Water Furrow Plow	2
14	802989	5¾	Gang Bolt - Water Furrow Plow (1½" x 8")	2

Note: Deep Dish Flat Center Blades were Discontinued by Blade Manufacturer. The cast parts for units sold prior to May 1993, with flat center blades are no longer available.