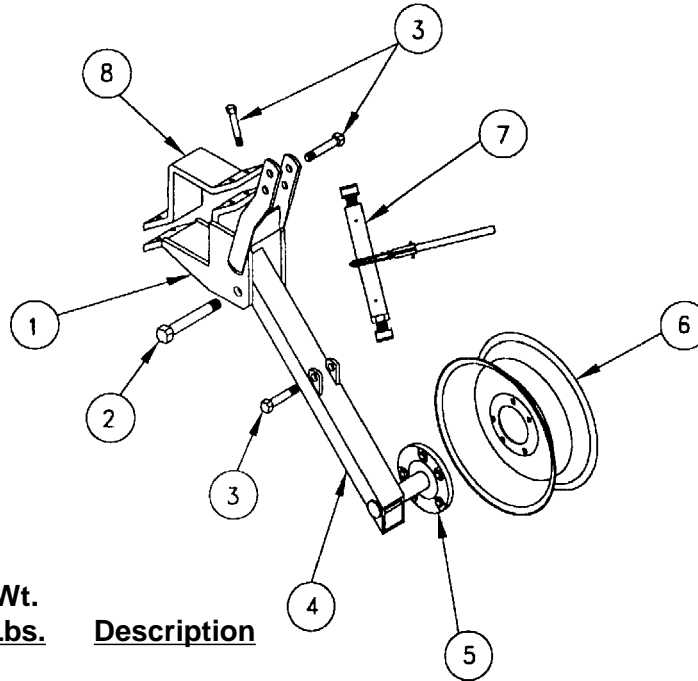


GAUGE WHEELS

Model Nos. 1320, 1321, 1322, 1323, 1338, 1339, 1341

1320, 1321 - 7 x 7 BAR GAUGE WHEEL

FOR ROLLING BED MAKER AND HIGH CLEAR CULTIVATOR

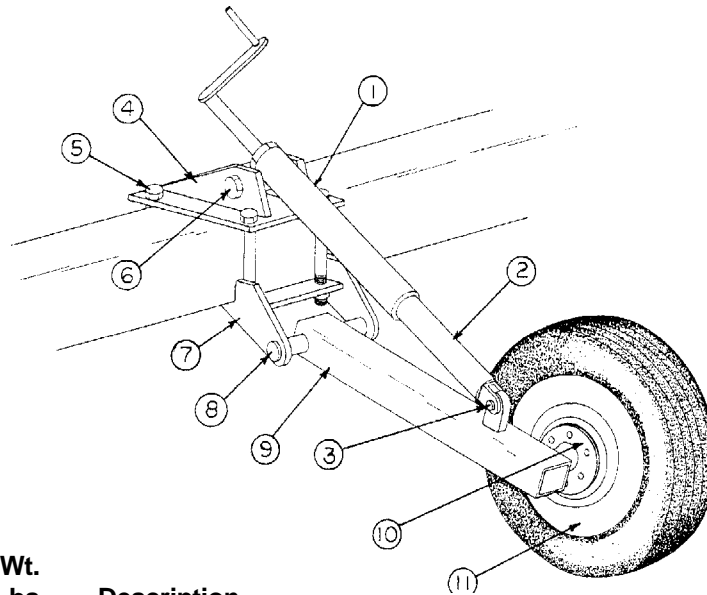


**No. 1320
& No. 1321***

*Used on Bed
Maker center
section with
weld-on holder.

<u>Item No.</u>	<u>Part No.</u>	<u>Wt. Lbs.</u>	<u>Description</u>	<u>Qty. Req'd for One Assembly</u>
1	302020	35¼	Holder - Gauge Wheel	1
2	411598	1	Hex Bolt -- 1" x 6½" NC - Gr 5 - Zinc	1
-	412016	-	Hex Nut -- 1" - 8 - Gr 2 - Zinc	1
-	413516	-	Lock Washer -- 1" - Zinc	1
3	411591	½	Hex Bolt -- ¾" x 4" NC - Gr 5 - Zinc	6
-	412012	-	Hex Nut -- ¾" - 10 - Gr 2 - Zinc	6
-	413512	-	Lock Washer -- ¾" - Zinc	6
4	302022	42½	LH Leg w/Hub - #1320 Gauge Wheel (Shown)	1
-	302021	42½	RH Leg w/Hub - #1320 Gauge Wheel	1
-	302024	50	Offset Leg LH w/Spind & Hub (1321 Ga Wh).....Not Illustrated	1
-	302023	50	Offset Leg RH w/Spind & Hub (1321 Ga Wh).....Not Illustrated	1
5	491119	10	5 Hole Hub Complete - Q-719	1
-	491007	9¾	Hub w/Cups Only - Q-719	1
-	481205	¼	Cone - Q809 & Q719 - LM67048	1
-	496010	-	Outer Cup - Q809 & Q719 - LM67010	1
-	481204	¼	Cone - Q809 & Q719 - LM48548	1
-	496011	-	Inner Cup - Q809 & Q719 - LM48510	1
-	497010	-	Grease Seal - Q719 - CR 15190	1
-	490006	¼	Hub Cap - Q809 & Q719	1
-	490015	-	1/2" NF Lug Nut	5
-	490017	-	Drive-In Hub Bolt - Q719	5
-	412164	-	Slotted Nut -- 7/8" - 14 Spindle	1
-	490034	-	Spindle Washer -- 7/8" - Q875/Q809/Q719	1
6	493007	17	15" x 5" x 5 Hole Wheel	1
7	302025	11½	Ratchet Crank Assembly	1
8	204242	13½	Backing Plate -- Bed Maker Gauge Wheel	1

1322, 1323 - GAUGE WHEEL FOR 7" SQ. BAR



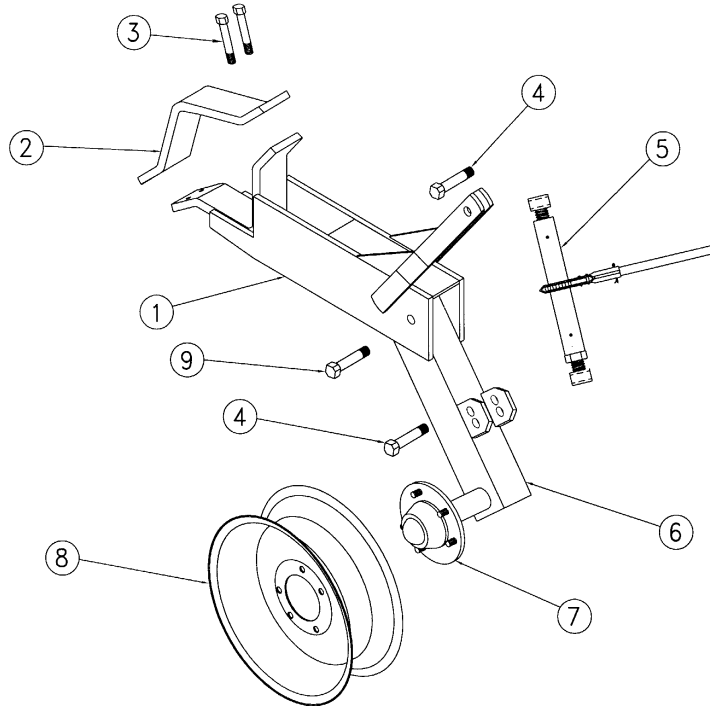
No. 1322
&
No. 1323

Item No.	Part No.	Wt. Lbs.	Description	Qty. Req'd.
1	720009	17	Crank Assembly - #1322 1323 Ga Whls	1
-	300500	11 ³ / ₄	Top Half Crank - Pulv.	1
2	300872	5	Bottom Half Crank (GW7-2H)	1
3	411306	³ / ₄	Hex Bolt -- 1" x 3" NC - Gr 2 - Zinc	1
-	412016	-	Hex Nut -- 1" - 8 - Gr 2 - Zinc	1
-	413516	-	Lock Washer -- 1" - Zinc	1
4	301030	33 ¹ / ₂	Top Bracket -- 7x7 Gauge Wheels	1
5	411266	1 ¹ / ₄	Hex Bolt -- 3/4" x 10" NC - Gr 2 - Zinc	4
-	412012	-	Hex Nut -- 3/4" - 10 - Gr 2 - Zinc	4
-	413512	-	Lock Washer -- 3/4" - Zinc	4
6	411313	1 ¹ / ₂	Hex Bolt -- 1" x 5 ¹ / ₂ " NC - Gr 2 - Zinc	1
-	412016	-	Hex Nut -- 1" - 8 - Gr 2 - Zinc	1
-	413516	-	Lock Washer -- 1" - Zinc	1
7	301031	27 ¹ / ₂	Bottom Bracket -- 7x7 Gauge Wheels	1
8	411334	2 ³ / ₄	Hex Bolt -- 1" x 12" NC - Gr 2 - Zinc	1
-	412016	-	Hex Nut -- 1" - 8 - Gr 2 - Zinc	1
-	413516	-	Lock Washer -- 1" - Zinc	1
9	300869	42 ¹ / ₂	LH Leg w/Spindle & Hub (GW7-2H)	1
-	300868	42 ¹ / ₂	RH Leg w/Spindle & Hub (GW7-2H)	1
-	300852	46 ³ / ₄	Offset Leg RH w/Spind & Hub (1323 Ga Wh)	1
-	300853	46 ³ / ₄	Offset Leg LH w/Spind & Hub (1323 Ga Wh)	1
10	491119	11	5 Hole Hub Complete - Q-719	1
-	491007	9 ³ / ₄	Hub w/Cups Only - Q-719	1
-	481205	¹ / ₄	Cone - Q809 & Q719 - LM67048	1
-	496010	-	Outer Cup - Q809 & Q719 - LM67010	1
-	481204	¹ / ₄	Cone - Q809 & Q719 - LM48548	1
-	496011	-	Inner Cup - Q809 & Q719 - LM48510	1
-	497010	-	Grease Seal - Q719 - CR 15190	1
-	490006	¹ / ₄	Hub Cap - Q809 & Q719	1
-	490015	-	1/2" NF Lug Nut	5
-	490017	-	Drive-In Hub Bolt - Q719	5
-	412164	-	Slotted Nut -- 7/8" - 14 Spindle	1
-	490034	-	Spindle Washer -- 7/8" - Q875/Q809/Q719	1
11	493007	17	15" x 5" x 5 Hole Wheel	1

1338, 1339 RATCHET ADJ. GAUGE WHEELS

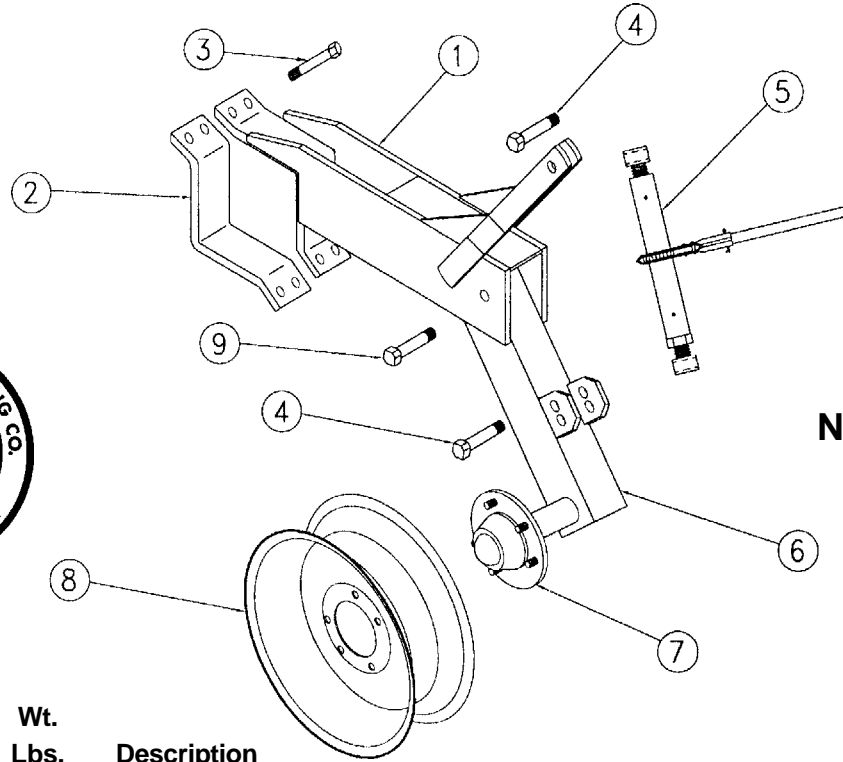


**No. 1338
& 1339**



<u>Item No.</u>	<u>Part No.</u>	<u>Wt. Lbs.</u>	<u>Description</u>	<u>Qty. Req. for 1 Assembly</u>
1	302225	60	Holder	1
2	203770	10	Backing Clamp for 7" Sq. Bar	1
3	411591	½	Hex Bolt -- ¾" x 4" NC - Gr 5 - Zinc	4
-	412012	-	Hex Nut -- ¾" - 10 - Gr 2 - Zinc	6
-	413512	-	Lock Washer -- ¾" - Zinc	6
4	411591	½	Hex Bolt -- ¾" x 4" NC - Gr 5 - Zinc	2
5	302025	11½	Ratchet Crank Assembly	1
6	302226	34¾	RH Leg w/Hub -- #1338 Gauge Wheel (Shown)	1
-	302227	34¾	LH Leg w/Hub -- #1338 Gauge Wheel	1
-	302228	38¾	RH 3" Offset Leg w/Hub -- #1339 Gauge Wheel	1
-	302229	38¾	LH 3" Offset Leg w/Hub -- #1339 Gauge Wheel	1
7	491119	11	5 Hole Hub Complete - Q-719	1
-	491007	9¾	Hub w/Cups Only - Q-719	1
-	481205	¼	Cone - Q809 & Q719 - LM67048	1
-	496010	-	Outer Cup - Q809 & Q719 - LM67010	1
-	481204	¼	Cone - Q809 & Q719 - LM48548	1
-	496011	-	Inner Cup - Q809 & Q719 - LM48510	1
-	497010	-	Grease Seal - Q719 - CR 15190	1
-	490006	¼	Hub Cap - Q809 & Q719	1
-	490015	-	1/2" NF Lug Nut	5
-	490017	-	Drive-In Hub Bolt - Q719	5
-	412164	-	Slotted Nut -- 7/8" - 14 Spindle	1
-	490034	-	Spindle Washer -- 7/8" - Q875/Q809/Q719	1
8	493007	17	15" x 5" x 5 Hole Wheel	1
9	411594	¾	Hex Bolt -- ¾" x 5" NC - Gr 5 - Zinc	1
-	412012	-	Hex Nut -- ¾" - 10 - Gr 2 - Zinc	1
-	413512	-	Lock Washer -- ¾" - Zinc	1

1341 - TOP MOUNTED ADJ. GAUGE WHEELS



No. 1341

Item No.	Part No.	Wt. Lbs.	Description	Qty. Req. for 1 Assembly
1	302230	60	Holder - #1341 Top Mtd Adj Gauge Wheel (WM)	1
2	203770	10	Backing Clamp for 7" Sq. Bar	1
3	411591	½	Hex Bolt -- 3/4" x 4" NC - Gr 5 - Zinc	4
-	412012	-	Hex Nut -- 3/4" - 10 - Gr 2 - Zinc	6
-	413512	-	Lock Washer -- 3/4" - Zinc	6
4	411591	½	Hex Bolt -- 3/4" x 4" NC - Gr 5 - Zinc	2
5	302025	11½	Ratchet Crank Assembly	1
6	302226	34¾	RH Leg w/Hub -- #1338 & #1341 Gauge Wheel (Shown) ..	1
-	302227	34¾	LH Leg w/Hub -- # 1338 & #1341 Gauge Wheel	1
7	491119	11	5 Hole Hub Complete - Q-719	1
-	491007	9¾	Hub w/Cups Only - Q-719	1
-	481205	¼	Cone - Q809 & Q719 - LM67048	1
-	496010	-	Outer Cup - Q809 & Q719 - LM67010	1
-	481204	¼	Cone - Q809 & Q719 - LM48548	1
-	496011	-	Inner Cup - Q809 & Q719 - LM48510	1
-	497010	-	Grease Seal - Q719 - CR 15190	1
-	490006	¼	Hub Cap - Q809 & Q719	1
-	490015	-	1/2" NF Lug Nut	5
-	490017	-	Drive-In Hub Bolt - Q719	5
-	412164	-	Slotted Nut -- 7/8" - 14 Spindle	1
-	490034	-	Spindle Washer -- 7/8" - Q875/Q809/Q719	1
8	493007	17	15" x 5" x 5 Hole Wheel	1
9	411594	¾	Hex Bolt -- 3/4" x 5" NC - Gr 5 - Zinc	1
-	412012	-	Hex Nut -- 3/4" - 10 - Gr 2 - Zinc	1
-	413512	-	Lock Washer -- 3/4" - Zinc	1